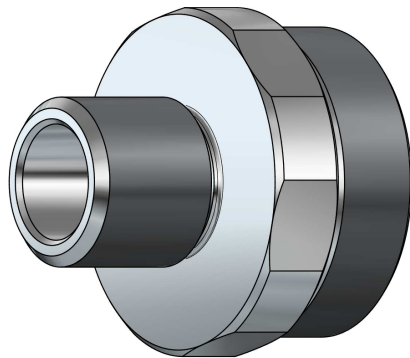
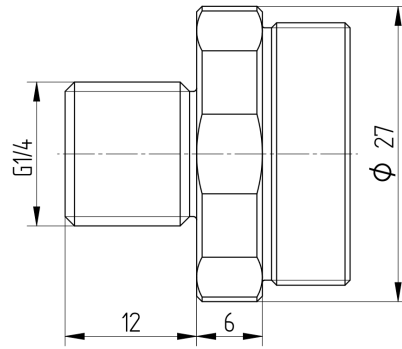


**smartec**

Series 09

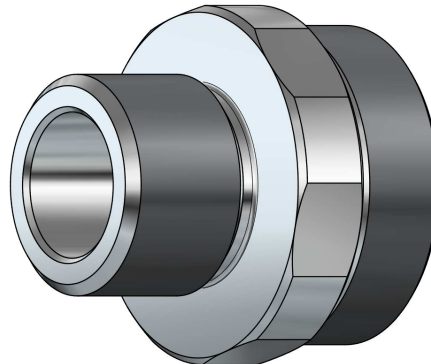
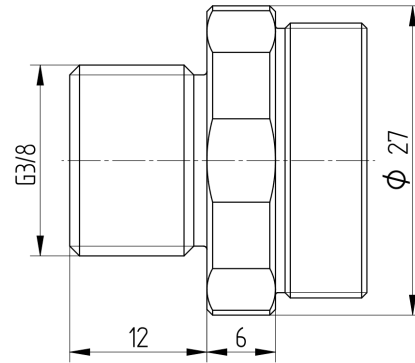
## AM09-G250



### S09 Machine Adaptor G1/4

SmarTec Line: S09  
External Diameter: 27 [mm] (1.06")  
Effective Length: 6 [mm] (0.24")  
Internal Diameter: 9.5 [mm] (0.374")  
Tooling: SW 26  
Thread: G1/4  
Material: Austenitic Stainless Steel  
Temperature Range: -30°C to 120°C (-20°F to 250°F)

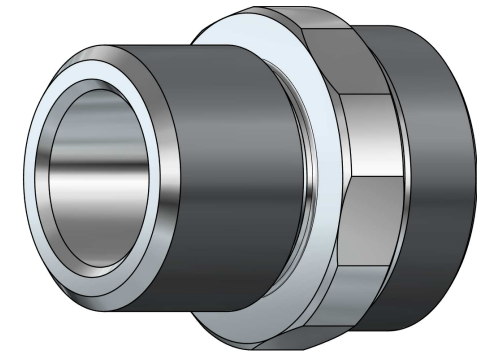
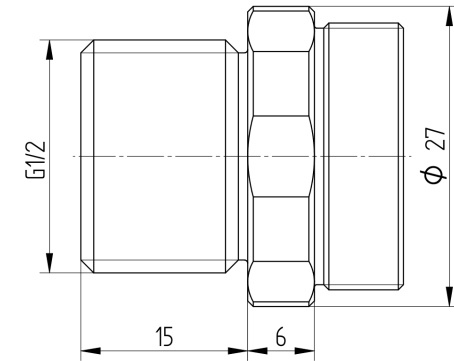
## AM09-G375



### S09 Machine Adaptor G3/8

SmarTec Line: S09  
External Diameter: 27 [mm] (1.06")  
Effective Length: 6 [mm] (0.24")  
Internal Diameter: 9.5 [mm] (0.374")  
Tooling: SW 26  
Thread: G3/8  
Material: Austenitic Stainless Steel  
Temperature Range: -30°C to 120°C (-20°F to 250°F)

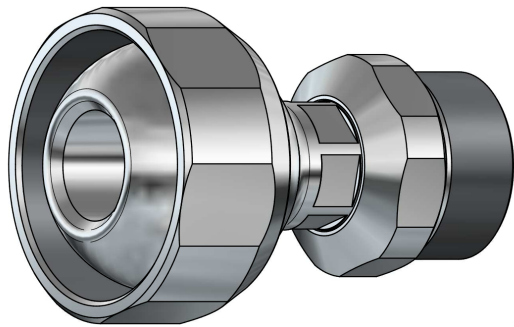
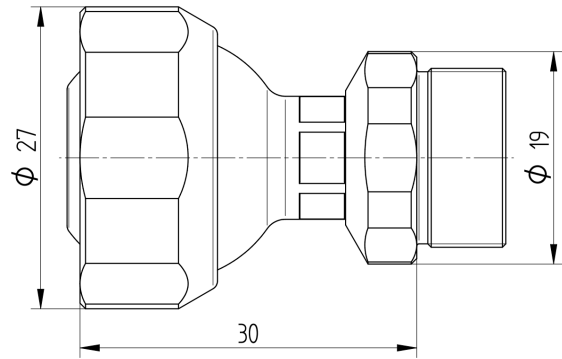
## AM09-G500



### S09 Machine Adaptor G1/2

SmarTec Line: S09  
External Diameter: 27 [mm] (1.06")  
Effective Length: 6 [mm] (0.24")  
Internal Diameter: 9.5 [mm] (0.374")  
Tooling: SW 26  
Thread: G1/2  
Material: Austenitic Stainless Steel  
Temperature Range: -30°C to 120°C (-20°F to 250°F)

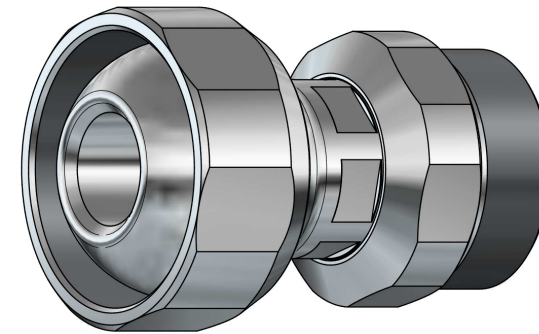
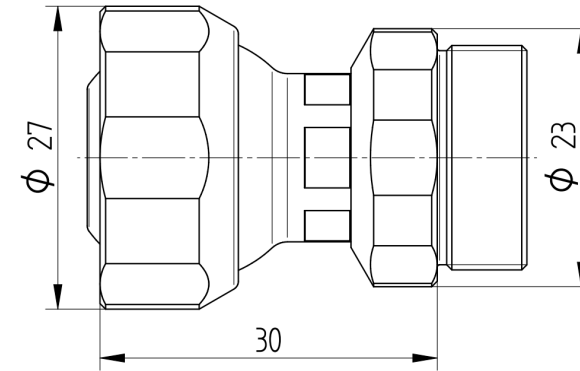
## AS09-TS03



### S09 to S03 Series Adaptor

SmarTec Line: S09  
Base Line: S09  
Secondary Line: S03  
External Diameter: 27 [mm] (1.06")  
Effective Length: 30 [mm] (1.2")  
Internal Diameter: 3.5 [mm] (0.14")  
Tooling: SW 26, SW 18  
Material: Austenitic Stainless Steel / NBR (Buna-N)  
Temperature Range: -30°C to 120°C (-20°F to 250°F)

## AS09-TS06



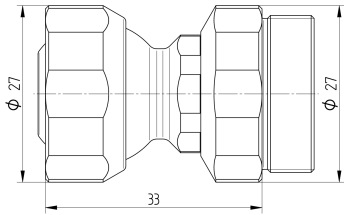
### S09 to S06 Series Adaptor

SmarTec Line: S09  
Base Line: S09  
Secondary Line: S06  
External Diameter: 27 [mm] (1.06")  
Effective Length: 30 [mm] (1.2")  
Internal Diameter: 6.5 [mm] (0.256")  
Tooling: SW 26, SW 22  
Material: Austenitic Stainless Steel / NBR (Buna-N)  
Temperature Range: -30°C to 120°C (-20°F to 250°F)

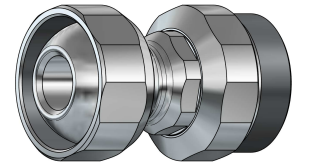
# CH09A

## S09 Chain Unit Straight Short

SmarTec Line: S09  
External Diameter: 27 [mm] (1.06")  
Effective Length: 33 [mm] (1.3")  
Internal Diameter: 9.5 [mm] (0.374")  
Tooling: SW 26  
Material: Austenitic Stainless Steel / NBR (Buna-N)  
Temperature Range: -30°C to 120°C (-20°F to 250°F)

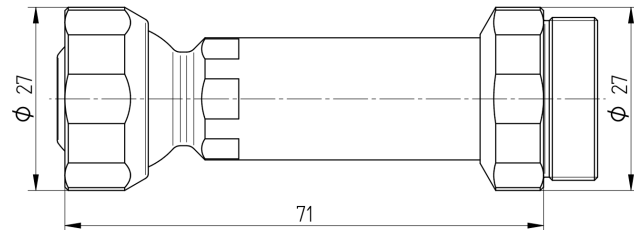


## CH09-AS

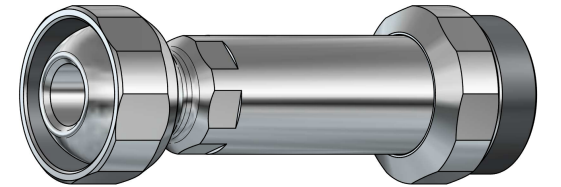


## S09 Chain Unit Straight Mean

SmarTec Line: S09  
External Diameter: 27 [mm] (1.06")  
Effective Length: 71 [mm] (2.8")  
Internal Diameter: 9.5 [mm] (0.374")  
Tooling: SW 26  
Material: Austenitic Stainless Steel / NBR (Buna-N)  
Temperature Range: -30°C to 120°C (-20°F to 250°F)

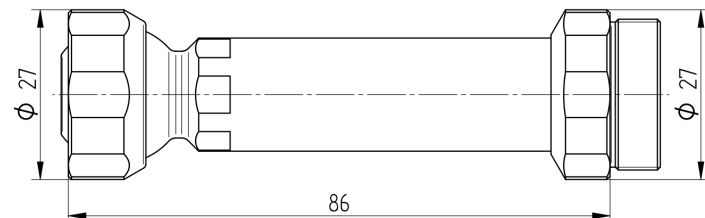


## CH09-AM



## S09 Chain Unit Straight Long

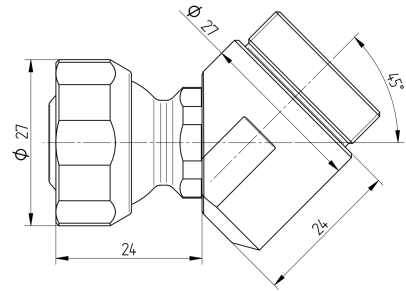
SmarTec Line: S09  
External Diameter: 27 [mm] (1.06")  
Effective Length: 86 [mm] (3.385")  
Internal Diameter: 9.5 [mm] (0.374")  
Tooling: SW 26  
Material: Austenitic Stainless Steel / NBR (Buna-N)  
Temperature Range: -30°C to 120°C (-20°F to 250°F)



## CH09-AL



# CH09F



SmarTec Line: S09

Angle: 45°

External Diameter: 27 [mm] (1.06")

Effective Length: 24, 24 [mm] (0.94", 0.94")

Internal Diameter: 9.5 [mm] (0.374")

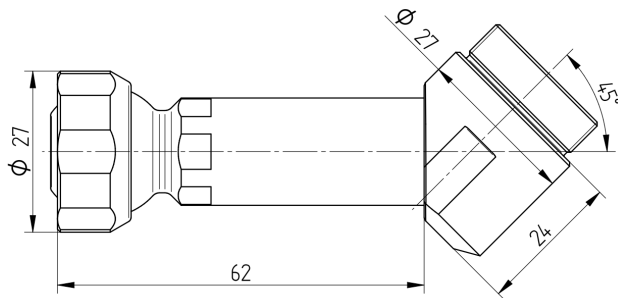
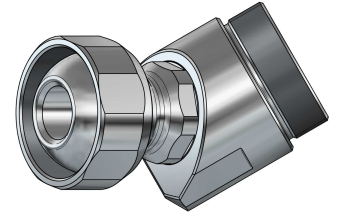
Tooling: SW 26

Material: Austenitic Stainless Steel / NBR (Buna-N)

Temperature Range: -30°C to 120°C (-20°F to 250°F)

## S09 Chain Unit 45° Short

## CH09-FS



SmarTec Line: S09

Angle: 45°

External Diameter: 27 [mm] (1.06")

Effective Length: 62, 24 [mm] (2.44", 0.94")

Internal Diameter: 9.5 [mm] (0.374")

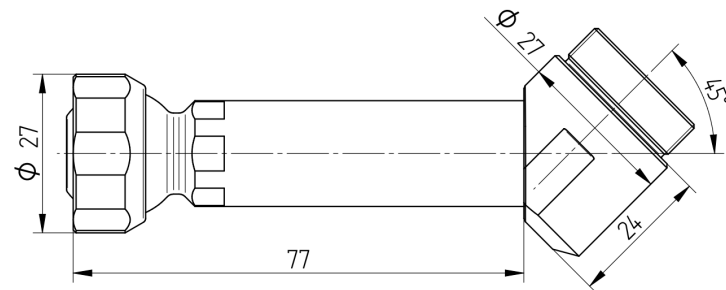
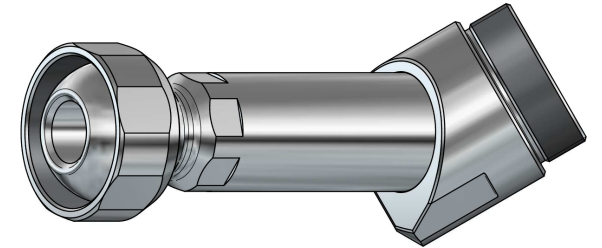
Tooling: SW 26

Material: Austenitic Stainless Steel / NBR (Buna-N)

Temperature Range: -30°C to 120°C (-20°F to 250°F)

## S09 Chain Unit 45° Mean

## CH09-FM



SmarTec Line: S09

Angle: 45°

External Diameter: 27 [mm] (1.06")

Effective Length: 77, 24 [mm] (3.03", 0.94")

Internal Diameter: 9.5 [mm] (0.374")

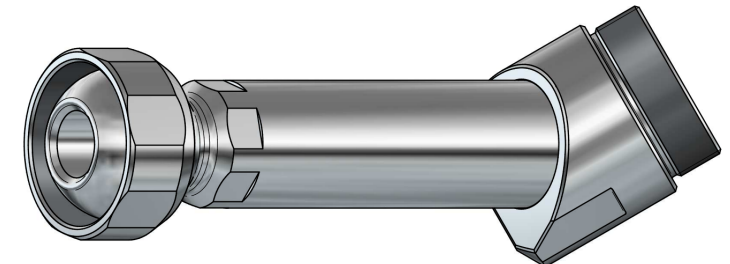
Tooling: SW 26

Material: Austenitic Stainless Steel / NBR (Buna-N)

Temperature Range: -30°C to 120°C (-20°F to 250°F)

## S09 Chain Unit 45° Long

## CH09-FL



# CH09P

## S09 Chain Unit 90° Short

SmarTec Line: S09

Angle: 90°

External Diameter: 27 [mm] (1.06")

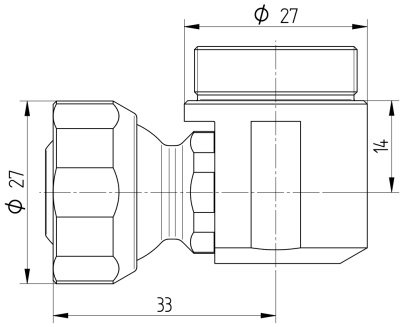
Effective Length: 33, 14 [mm] (1.3", 0.55")

Internal Diameter: 9.5 [mm] (0.374")

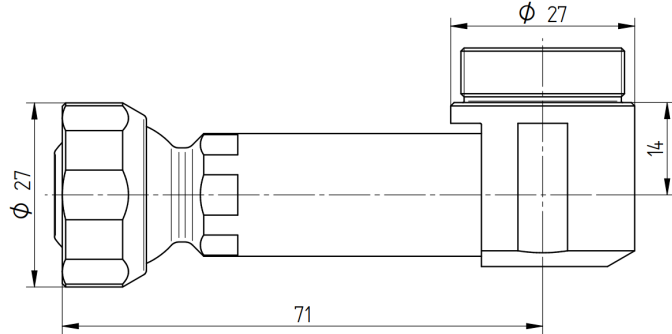
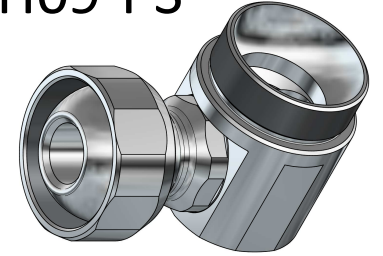
Tooling: SW 26

Material: Austenitic Stainless Steel / NBR (Buna-N)

Temperature Range: -30°C to 120°C (-20°F to 250°F)



## CH09-PS



## S09 Chain Unit 90° Mean

SmarTec Line: S09

Angle: 90°

External Diameter: 27 [mm] (1.06")

Effective Length: 71, 14 [mm] (2.8", 0.55")

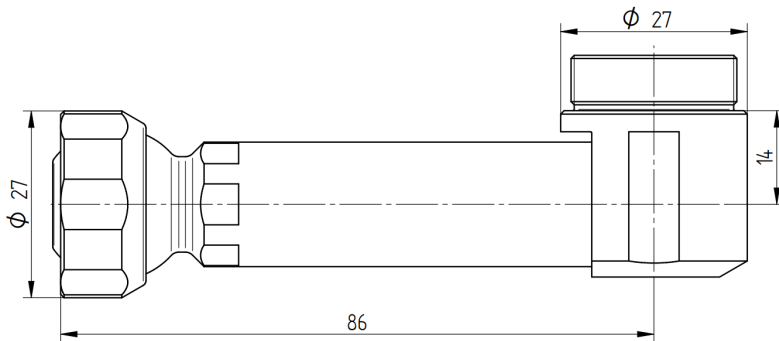
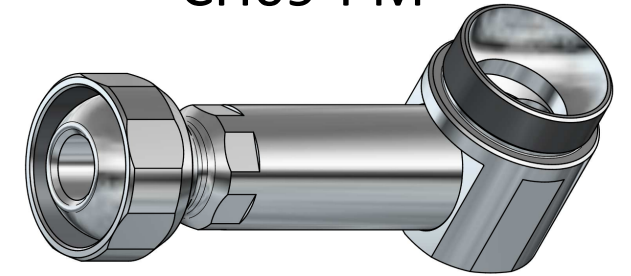
Internal Diameter: 9.5 [mm] (0.374")

Tooling: SW 26

Material: Austenitic Stainless Steel / NBR (Buna-N)

Temperature Range: -30°C to 120°C (-20°F to 250°F)

## CH09-PM



## S09 Chain Unit 90° Long

SmarTec Line: S09

Angle: 90°

External Diameter: 27 [mm] (1.06")

Effective Length: 86, 14 [mm] (3.85", 0.55")

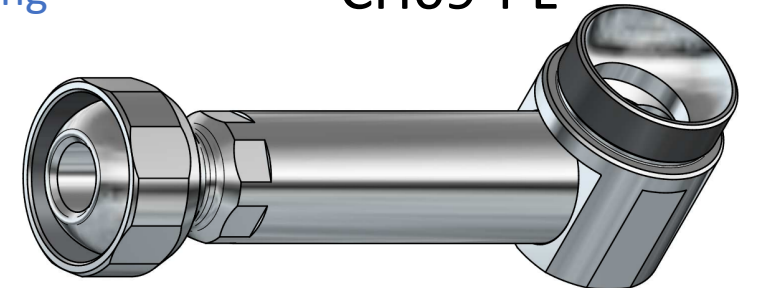
Internal Diameter: 9.5 [mm] (0.374")

Tooling: SW 26

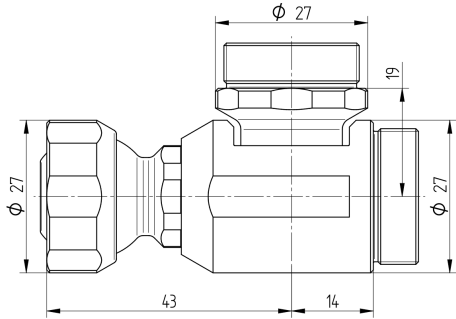
Material: Austenitic Stainless Steel / NBR (Buna-N)

Temperature Range: -30°C to 120°C (-20°F to 250°F)

## CH09-PL



# CH09T



SmarTec Line: S09

## S09 Chain Unit T Short

Angle:  $90^\circ + 90^\circ$

External Diameter: 27 [mm] (1.06")

Effective Length: 43, 14, 19 [mm] (1.7", 0.55", 0.75")

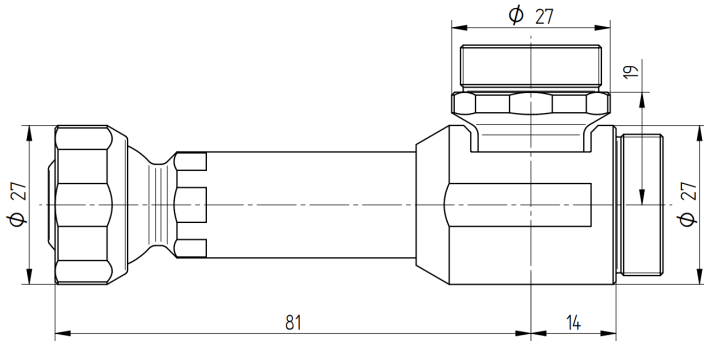
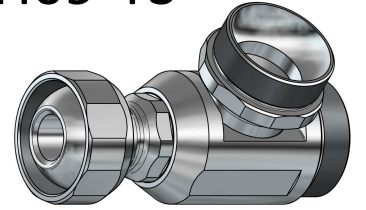
Internal Diameter: 9.5 [mm] (0.374")

Tooling: SW 26

Material: Austenitic Stainless Steel / NBR (Buna-N)

Temperature Range:  $-30^\circ\text{C}$  to  $120^\circ\text{C}$  ( $-20^\circ\text{F}$  to  $250^\circ\text{F}$ )

## CH09-TS



SmarTec Line: S09

## S09 Chain Unit T Mean

Angle:  $90^\circ + 90^\circ$

External Diameter: 27 [mm] (1.06")

Effective Length: 81, 14, 19 [mm] (3.2", 0.55", 0.75")

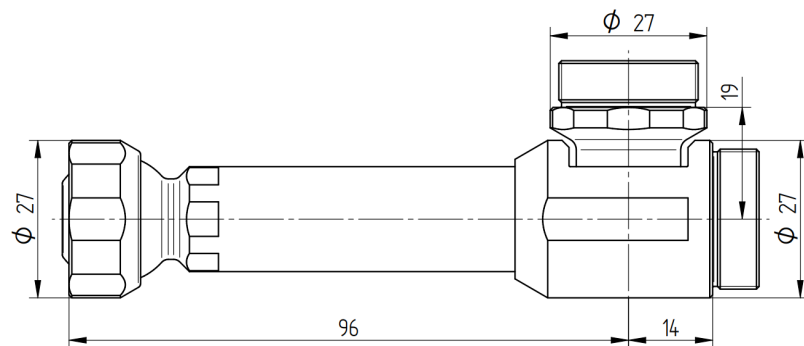
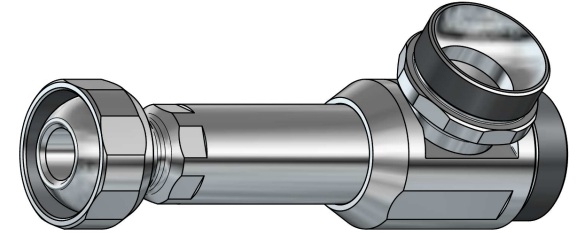
Internal Diameter: 9.5 [mm] (0.374")

Tooling: SW 26

Material: Austenitic Stainless Steel / NBR (Buna-N)

Temperature Range:  $-30^\circ\text{C}$  to  $120^\circ\text{C}$  ( $-20^\circ\text{F}$  to  $250^\circ\text{F}$ )

## CH09-TM



SmarTec Line: S09

## S09 Chain Unit T Long

Angle:  $90^\circ + 90^\circ$

External Diameter: 27 [mm] (1.06")

Effective Length: 96, 14, 19 [mm] (3.78", 0.55", 0.75")

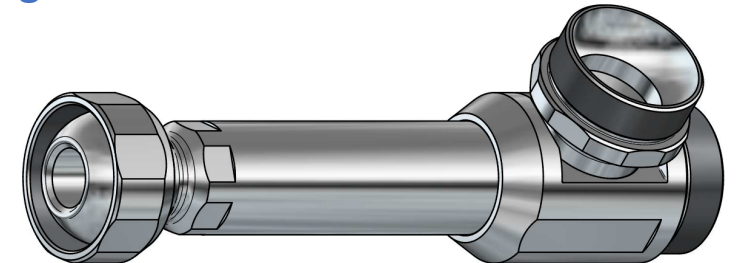
Internal Diameter: 9.5 [mm] (0.374")

Tooling: SW 26

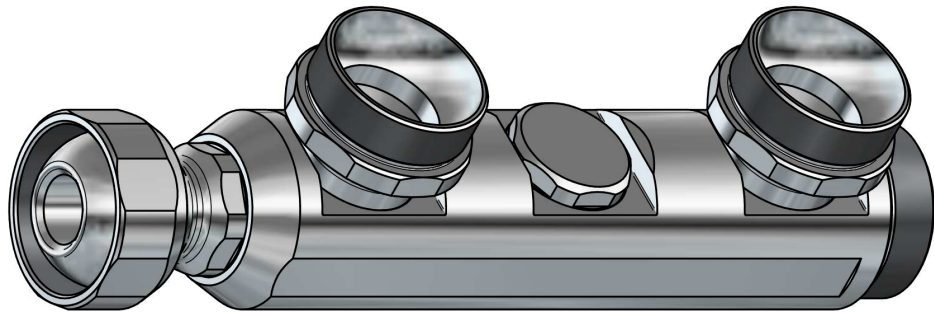
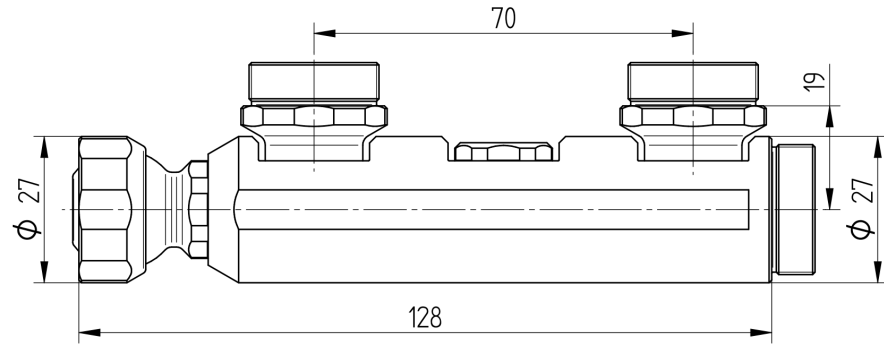
Material: Austenitic Stainless Steel / NBR (Buna-N)

Temperature Range:  $-30^\circ\text{C}$  to  $120^\circ\text{C}$  ( $-20^\circ\text{F}$  to  $250^\circ\text{F}$ )

## CH09-TL



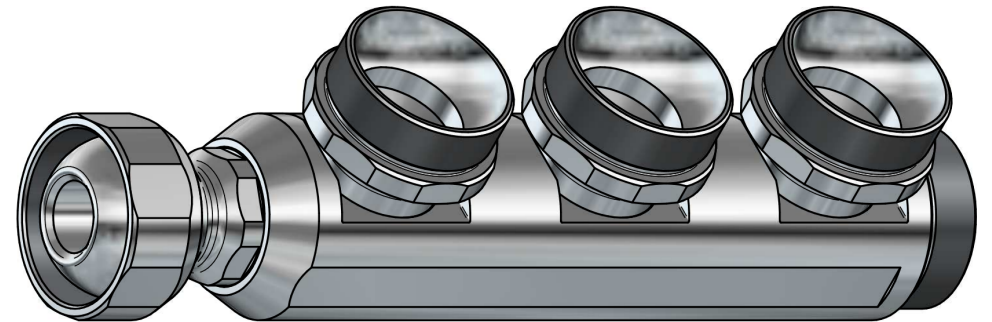
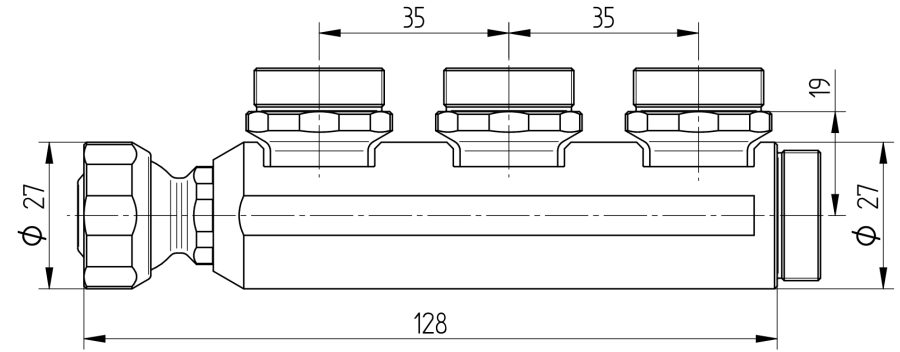
## CH09-TD



### S09 Chain Unit T Dual Exit

SmarTec Line: S09  
Angle: 90° + 90°  
No. of Exits: 2  
External Diameter: 27 [mm] (1.06")  
Effective Length: 128, 70 [mm] (5.0", 2.75")  
Internal Diameter: 9.5 [mm] (0.374")  
Tooling: SW 26  
Material: Austenitic Stainless Steel / NBR (Buna-N)  
Temperature Range: -30°C to 120°C (-20°F to 250°F)

## CH09-TT

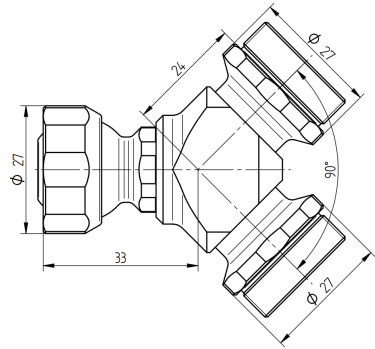


### S09 Chain Unit T Triple Exit

SmarTec Line: S09  
Angle: 90° + 90°  
No. of Exits: 3  
External Diameter: 27 [mm] (1.06")  
Effective Length: 128, 35 [mm] (5.0", 1.38")  
Internal Diameter: 9.5 [mm] (0.374")  
Tooling: SW 26  
Material: Austenitic Stainless Steel / NBR (Buna-N)  
Temperature Range: -30°C to 120°C (-20°F to 250°F)



# CH09Y



SmarTec Line: S09

Angle: 45° + 45°

External Diameter: 27 [mm] (1.06")

Effective Length: 33, 24, 24 [mm] (1.3", 0.94", 0.94")

Internal Diameter: 9.5 [mm] (0.374")

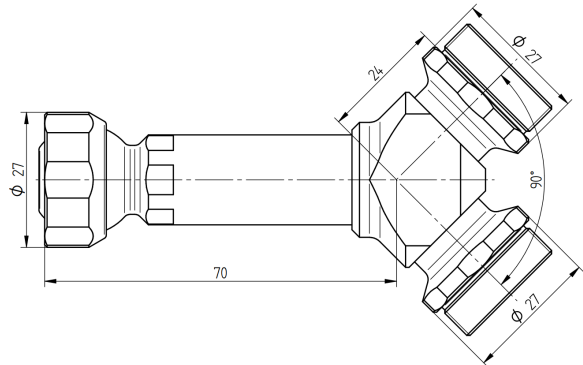
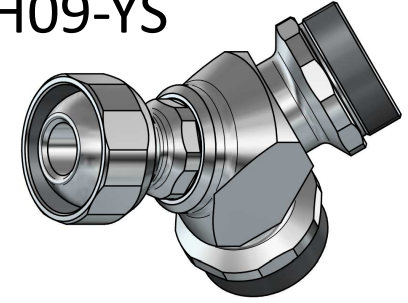
Tooling: SW 26

Material: Austenitic Stainless Steel / NBR (Buna-N)

Temperature Range: -30°C to 120°C (-20°F to 250°F)

## S09 Chain Unit Y Short

## CH09-YS



SmarTec Line: S09

Angle: 45° + 45°

External Diameter: 27 [mm] (1.06")

Effective Length: 70, 24, 24 [mm] (2.755", 0.94", 0.94")

Internal Diameter: 9.5 [mm] (0.374")

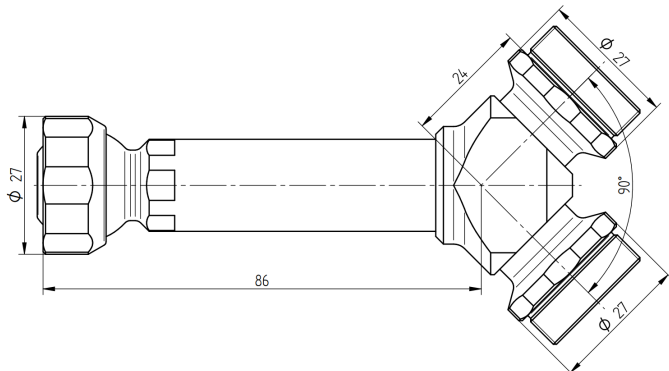
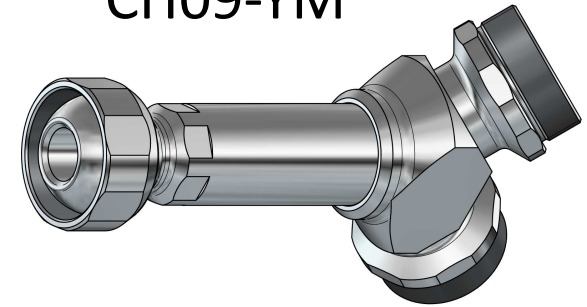
Tooling: SW 26

Material: Austenitic Stainless Steel / NBR (Buna-N)

Temperature Range: -30°C to 120°C (-20°F to 250°F)

## S09 Chain Unit Y Mean

## CH09-YM



SmarTec Line: S09

Angle: 45° + 45°

External Diameter: 27 [mm] (1.06")

Effective Length: 86, 24, 24 [mm] (3.385", 0.94", 0.94")

Internal Diameter: 9.5 [mm] (0.374")

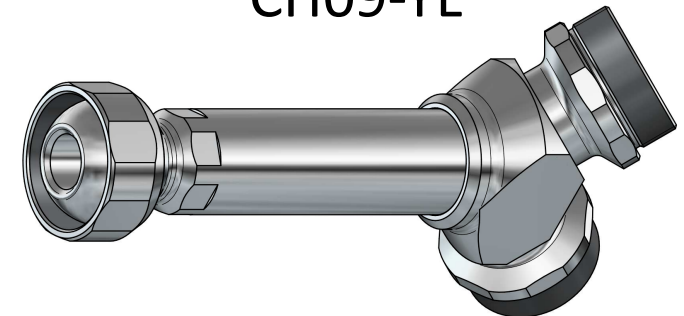
Tooling: SW 26

Material: Austenitic Stainless Steel / NBR (Buna-N)

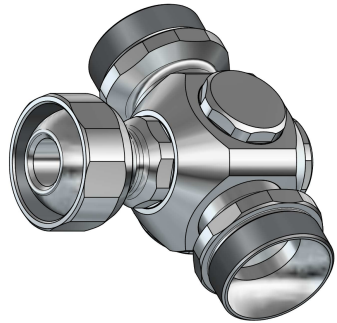
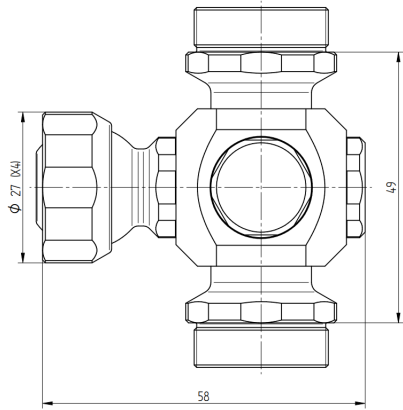
Temperature Range: -30°C to 120°C (-20°F to 250°F)

## S09 Chain Unit Y Long

## CH09-YL



### CH09-X2

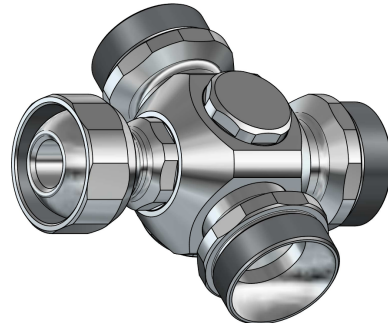
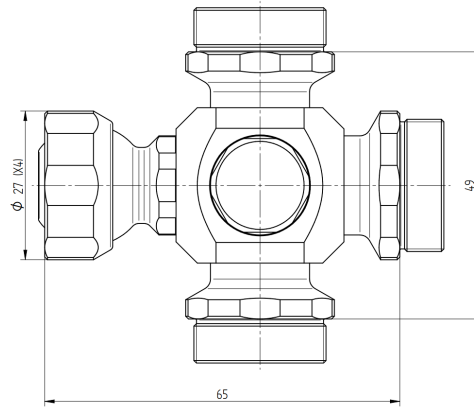


### S09 Chain Unit X2 Exits

SmarTec Line: S09  
 Angle: 90°  
 No. of Exits: 2  
 External Diameter: 27 [mm] (1.06")  
 Effective Length: 58, 49 [mm] (2.28", 1.93")  
 Internal Diameter: 9.5 [mm] (0.374")  
 Tooling: SW 26  
 Material: Austenitic Stainless Steel / NBR (Buna-N)  
 Temperature Range: -30°C to 120°C (-20°F to 250°F)

### CH09X

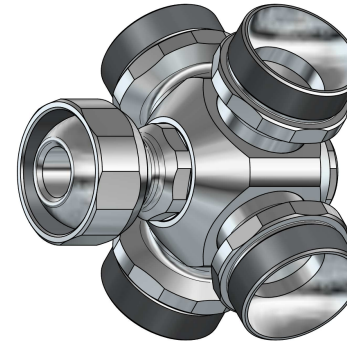
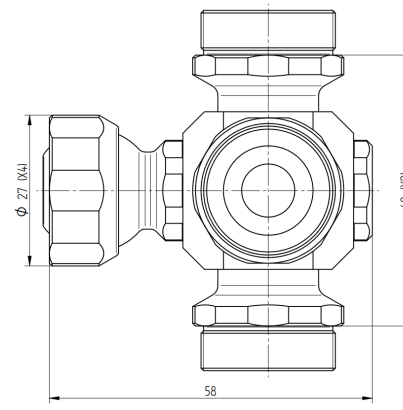
### CH09-X3



### S09 Chain Unit X3 Exits

SmarTec Line: S09  
 Angle: 90°  
 No. of Exits: 3  
 External Diameter: 27 [mm] (1.06")  
 Effective Length: 65, 49 [mm] (2.56", 1.93")  
 Internal Diameter: 9.5 [mm] (0.374")  
 Tooling: SW 26  
 Material: Austenitic Stainless Steel / NBR (Buna-N)  
 Temperature Range: -30°C to 120°C (-20°F to 250°F)

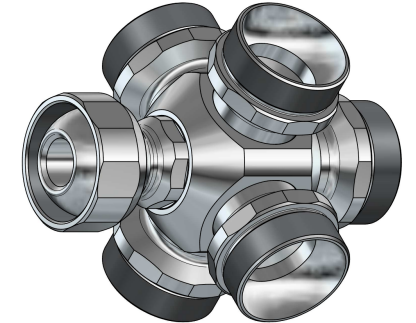
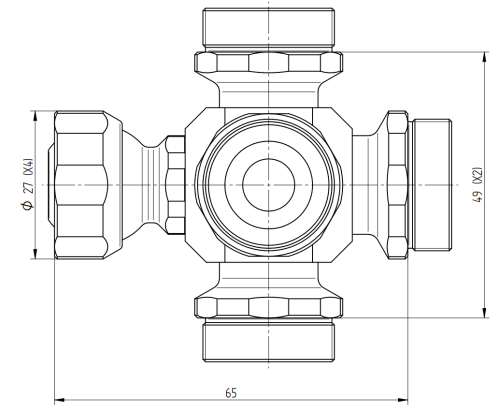
### CH09-X4



### S09 Chain Unit X4 Exits

SmarTec Line: S09  
 Angle: 90°  
 No. of Exits: 4  
 External Diameter: 27 [mm] (1.06")  
 Effective Length: 58, 49 [mm] (2.28", 1.93")  
 Internal Diameter: 9.5 [mm] (0.374")  
 Tooling: SW 26  
 Material: Austenitic Stainless Steel / NBR (Buna-N)  
 Temperature Range: -30°C to 120°C (-20°F to 250°F)

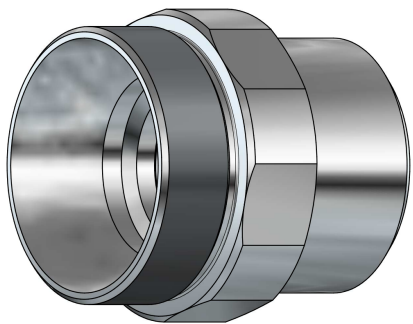
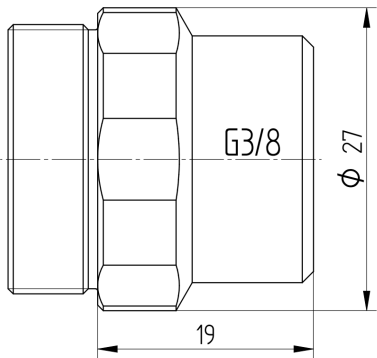
### CH09-X5



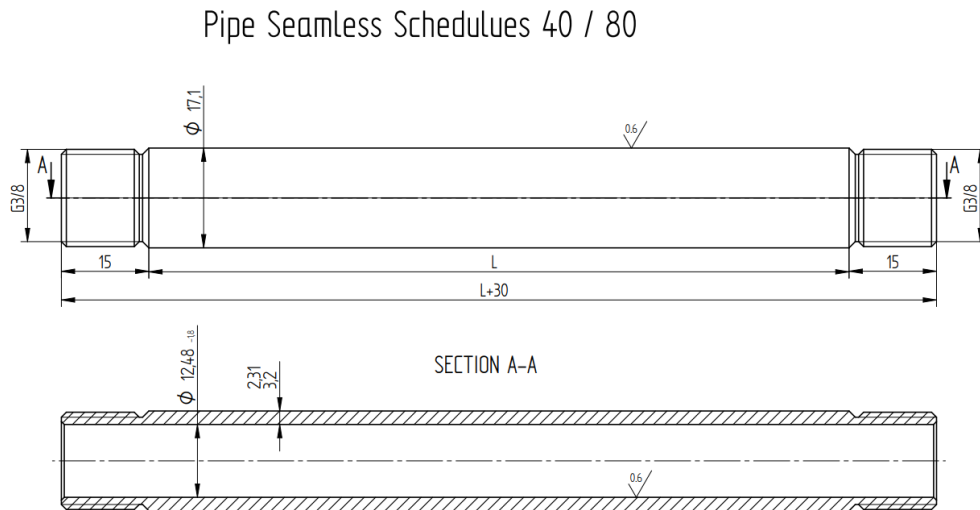
### S09 Chain Unit X5 Exits

SmarTec Line: S09  
 Angle: 90°  
 No. of Exits: 5  
 External Diameter: 27 [mm] (1.06")  
 Effective Length: 65, 49 [mm] (2.56", 1.93")  
 Internal Diameter: 9.5 [mm] (0.374")  
 Tooling: SW 26  
 Material: Austenitic Stainless Steel / NBR (Buna-N)  
 Temperature Range: -30°C to 120°C (-20°F to 250°F)

# CH09-EF



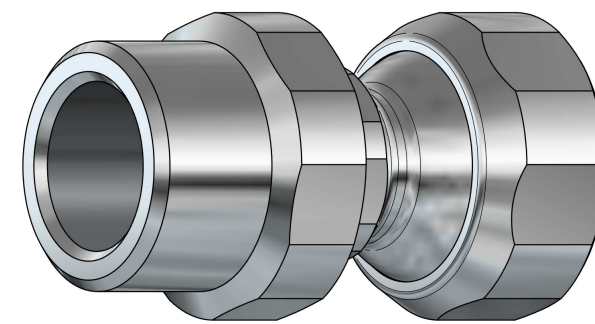
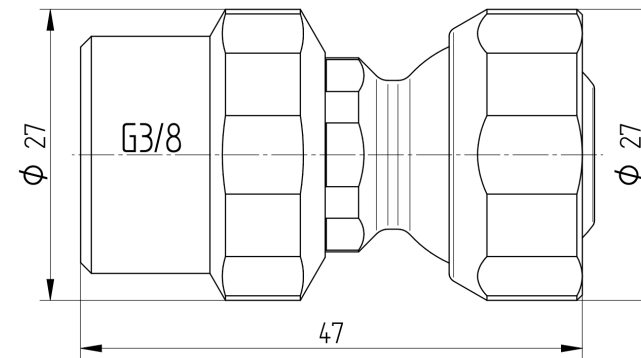
# CH09E



Pipe Size - 3/8  
Pipe for CH09E



# CH09-ER



## S09 Chain Unit Extension Front Adaptor

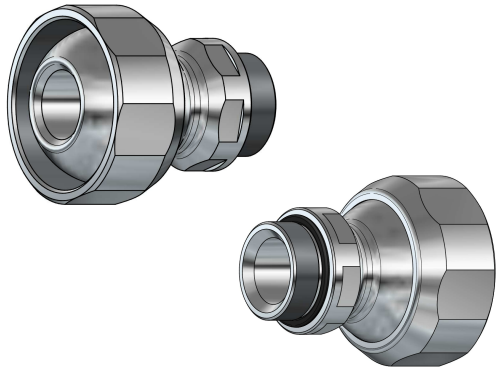
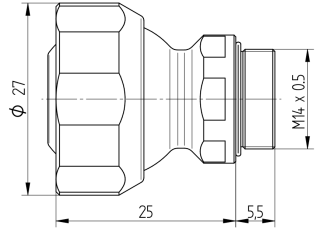
SmarTec Line: S09  
 External Diameter: 27 [mm] (1.06")  
 Effective Length: 19 [mm] (0.75")  
 Internal Diameter: 9.5 [mm] (0.374")  
 Thread: G3/8  
 Tooling: SW 26  
 Material: Austenitic Stainless Steel  
 Temperature Range: -30°C to 120°C (-20°F to 250°F)

## S09 Chain Unit Pipe Extension

SmarTec Line: S09  
 External Diameter: 27 [mm] (1.06")  
 Effective Length: 47 [mm] (1.85")  
 Internal Diameter: 9.5 [mm] (0.374")  
 Thread: G3/8  
 Tooling: SW 26  
 Material: Austenitic Stainless Steel / NBR (Buna-N)  
 Temperature Range: -30°C to 120°C (-20°F to 250°F)

## S09 Chain Unit Extension Rear Adaptor

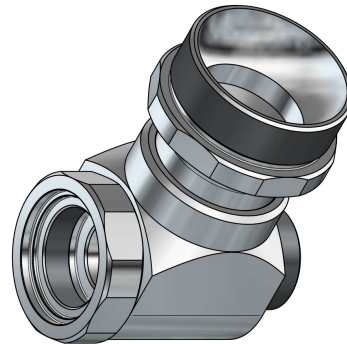
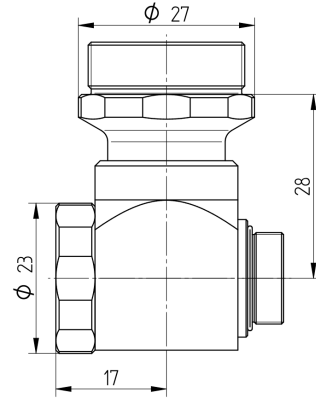
## CH09-RF



### S09 Chain unit F. Connector

SmarTec Line: S09  
 Destination: Front Connector to CH09-RO  
 External Diameter: 27 [mm] (1.06")  
 Effective Length: 25 [mm] (0.98")  
 Tooling: SW26  
 Material: Austenitic Stainless Steel  
 Temperature Range: -30°C to 120°C (-20°F to 250°F)

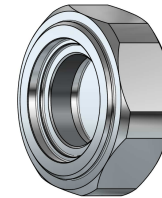
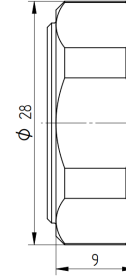
## CH09-RO



### S09 Chain Unit Modular Swivel

SmarTec Line: S09  
 Angle: 90° + 90°  
 External Diameter: 23, 28 [mm] (0.9", 1.1")  
 Effective Length: 17, 28 [mm] (0.67", 1.1")  
 Internal Diameter: 9.5 [mm] (0.374")  
 Tooling: SW 22, SW26  
 Material: Austenitic Stainless Steel / NBR (Buna-N)  
 Temperature Range: -30°C to 120°C (-20°F to 250°F)

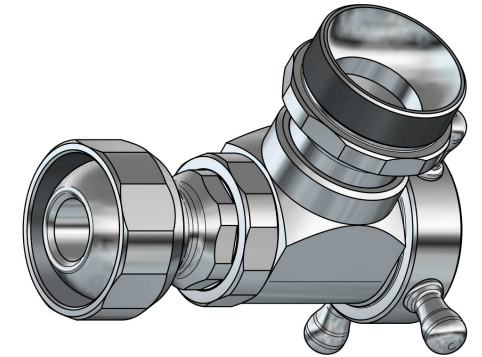
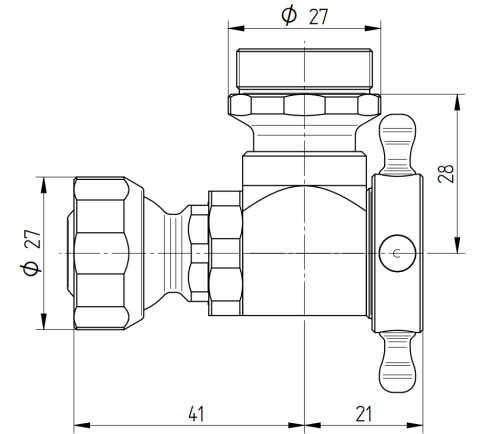
## CH09-RC



### S09 Chain unit Cup

SmarTec Line: S09  
 Destination: Plug to CH09-RO  
 External Diameter: 28 [mm] (1.1")  
 Effective Length: 9 [mm] (0.35")  
 Tooling: SW26  
 Material: Austenitic Stainless Steel  
 Temperature Range: -30°C to 120°C (-20°F to 250°F)

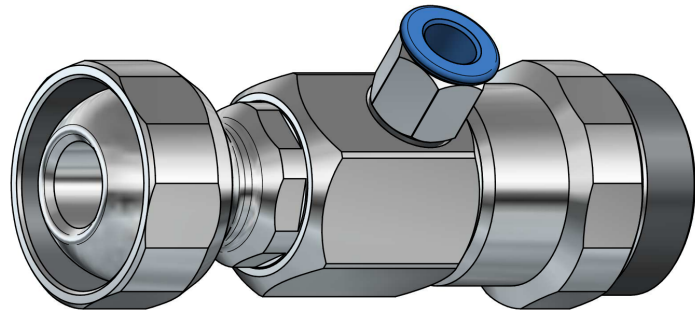
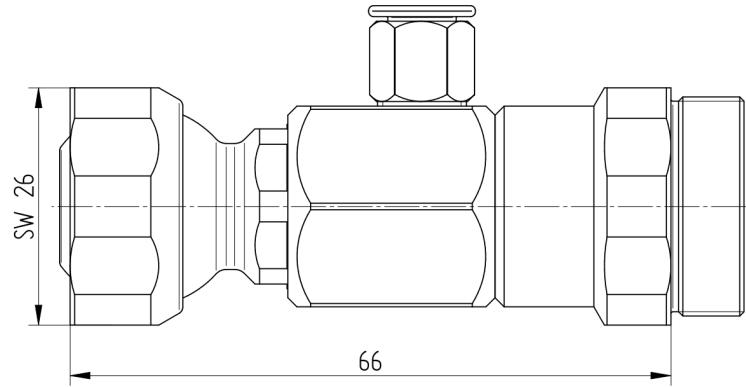
## CH09-RS



### S09 Chain Unit Swivel

SmarTec Line: S09  
 Angle: 90° + 90°  
 External Diameter: 27 [mm] (1.06")  
 Effective Length: 41, 21, 28 [mm] (1.6", 0.827", 1.1")  
 Internal Diameter: 9.5 [mm] (0.374")  
 Tooling: SW 26  
 Material: Austenitic Stainless Steel / NBR (Buna-N)  
 Temperature Range: -30°C to 120°C (-20°F to 250°F)

# CH09-MZ



## S09 Chain Unit Aeroforce™

SmarTec Line: S09

External Diameter: 27 [mm] (1.06")

Effective Length: 66 [mm] (2.6")

Internal Diameter: 9.5 [mm] (0.37")

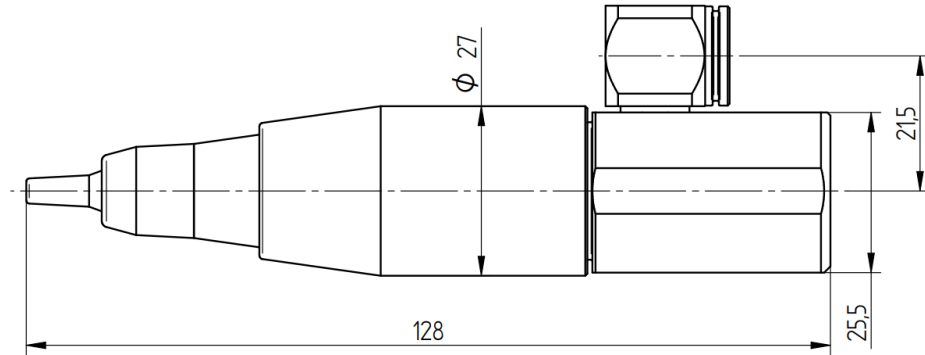
Air Tube: 6X4

Tooling: SW 26

Material: Austenitic Stainless Steel

Temperature Range: -30°C to 120°C (-20°F to 250°F)

# JD09



## S09 Smart Jet

SmarTec Line: S09

Chain Adaptor: AJ09

External Diameter: 27 [mm] (1.06")

Effective Length: 128, 21.5 [mm] (5.04", 0.846")

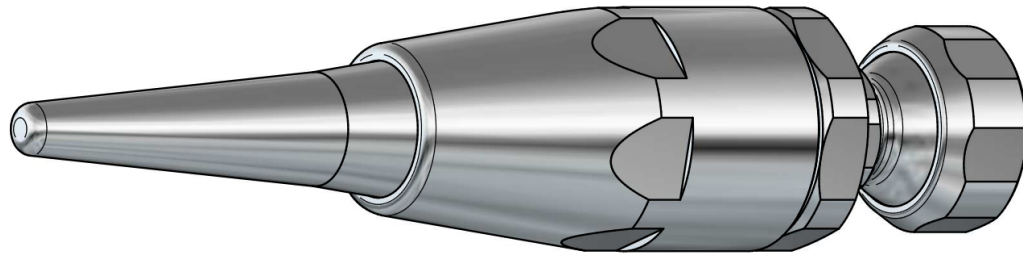
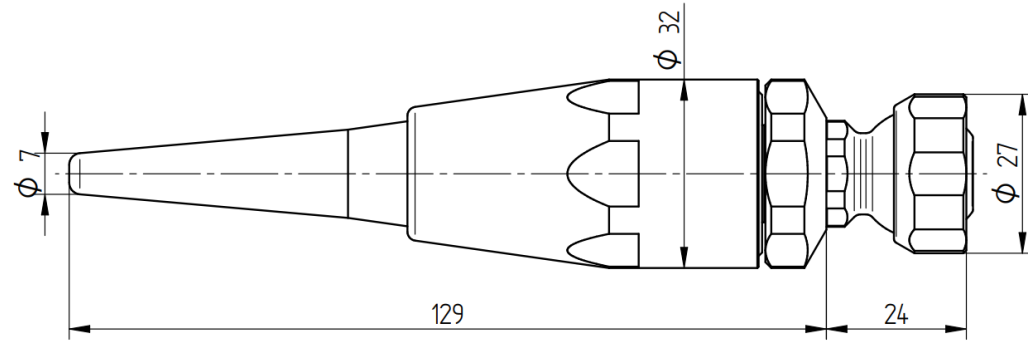
Internal Diameter: 9.5 [mm] (0.374")

Thread: G1/2

Material: Austenitic Stainless Steel / NBR (Buna-N)

Temperature Range: -30°C to 120°C (-20°F to 250°F)

# JS09



## S09 Adjustable Jet

SmarTec Line: S09

External Diameter: 27 [mm] (1.06")

Effective Length: 153 [mm] (6")

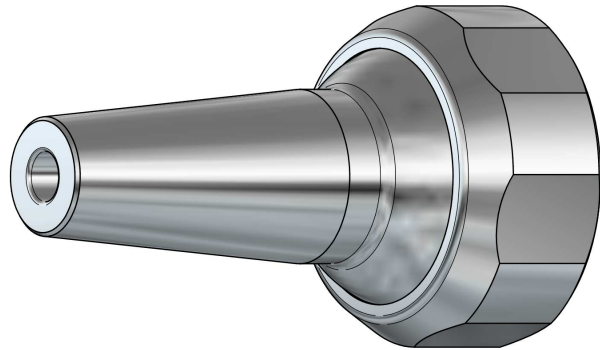
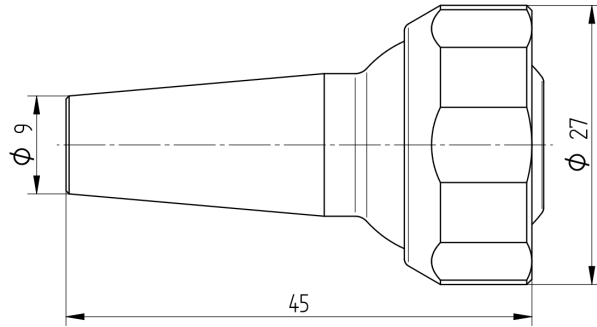
Internal Diameter: 9.5 [mm] (0.374")

Tooling: SW 26

Material: Austenitic Stainless Steel / NBR (Buna-N)

Temperature Range: -30°C to 120°C (-20°F to 250°F)

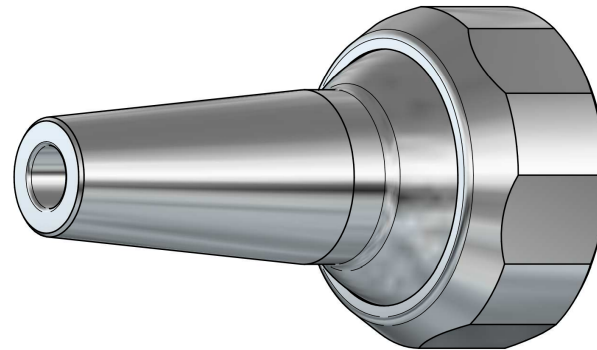
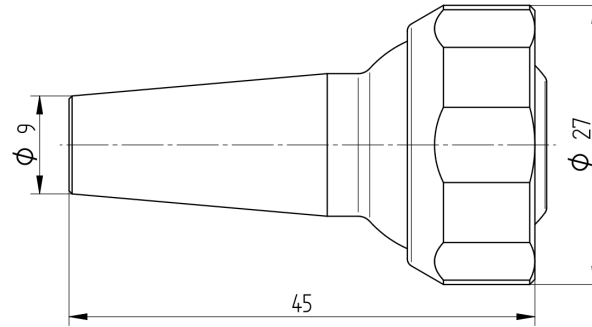
## JH09-D40



### S09 Chain Jet Basic 4 mm

SmarTec Line: S09  
External Diameter: 27 [mm] (1.06")  
Effective Length: 45 [mm] (1.77")  
Jet Diameter: 4 [mm] (0.16")  
Tooling: SW 26  
Material: Austenitic Stainless Steel / NBR (Buna-N)  
Temperature Range: -30°C to 120°C (-20°F to 250°F)

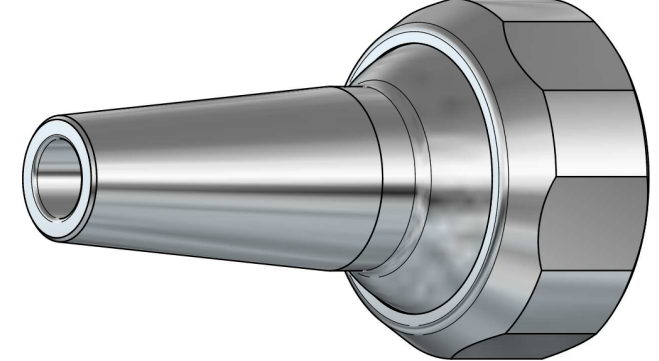
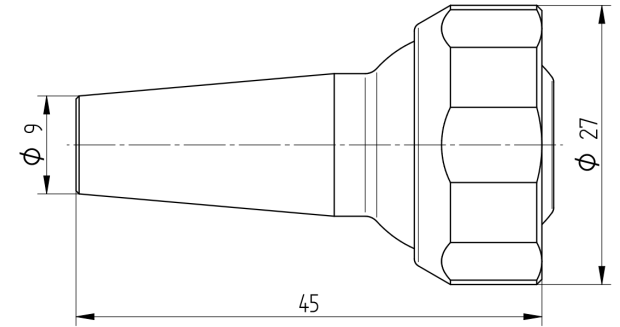
## JH09-D50



### S09 Chain Jet Basic 5 mm

SmarTec Line: S09  
External Diameter: 27 [mm] (1.06")  
Effective Length: 45 [mm] (1.77")  
Jet Diameter: 5 [mm] (0.2")  
Tooling: SW 26  
Material: Austenitic Stainless Steel / NBR (Buna-N)  
Temperature Range: -30°C to 120°C (-20°F to 250°F)

## JH09-D60

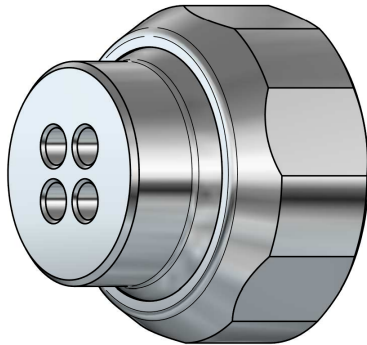
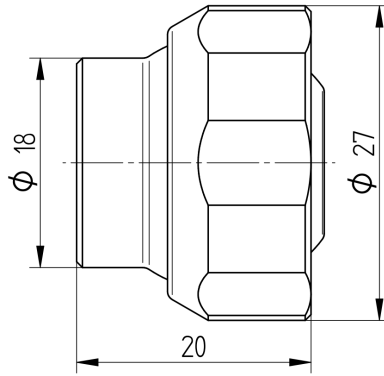


### S09 Chain Jet Basic 6 mm

SmarTec Line: S09  
External Diameter: 27 [mm] (1.06")  
Effective Length: 45 [mm] (1.77")  
Jet Diameter: 6 [mm] (0.24")  
Tooling: SW 26  
Material: Austenitic Stainless Steel / NBR (Buna-N)  
Temperature Range: -30°C to 120°C (-20°F to 250°F)



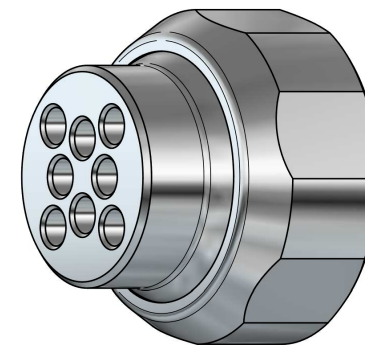
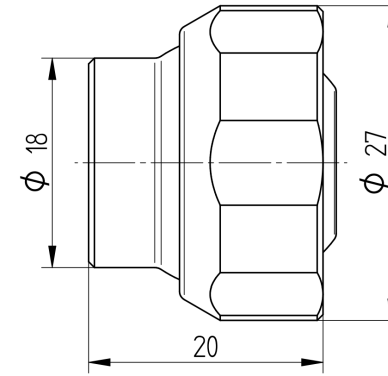
## JM09-A04



### S09 Chain Jet Basic 4 Jets

SmarTec Line: S09  
External Diameter: 27 [mm] (1.06")  
Effective Length: 20 [mm] (0.79")  
Jet Diameter: 3 [mm] (0.12")  
Number of Jets: 4  
Tooling: SW 26  
Material: Austenitic Stainless Steel / NBR (Buna-N)  
Temperature Range: -30°C to 120°C (-20°F to 250°F)

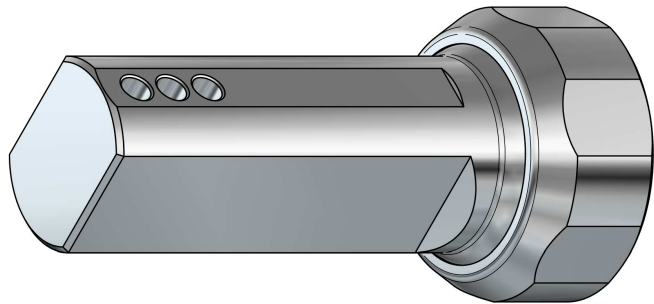
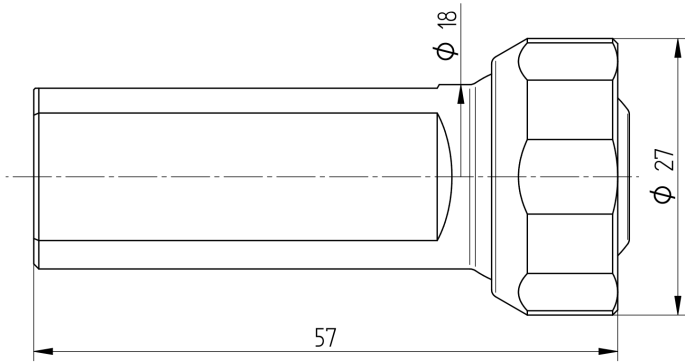
## JM09-A08



### S09 Chain Jet Basic 8 Jets

SmarTec Line: S09  
External Diameter: 27 [mm] (1.06")  
Effective Length: 20 [mm] (0.79")  
Jet Diameter: 3 [mm] (0.12")  
Number of Jets: 8  
Tooling: SW 26  
Material: Austenitic Stainless Steel / NBR (Buna-N)  
Temperature Range: -30°C to 120°C (-20°F to 250°F)

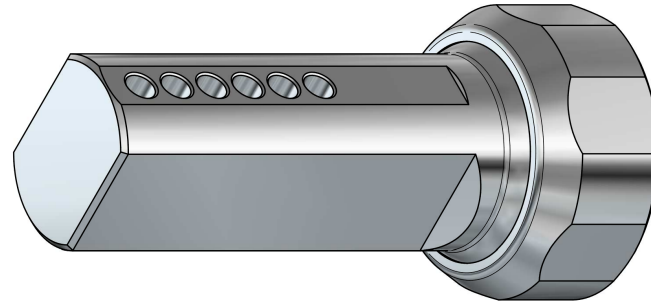
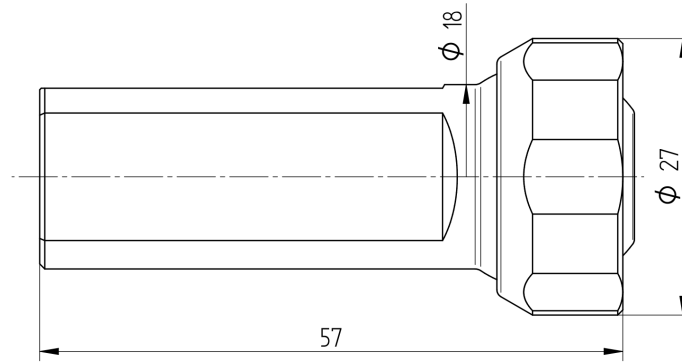
## JM09-P03



### S09 Chain Jet Extended 90° 3 Jets

SmarTec Line: S09  
Angle: 90°  
External Diameter: 27 [mm] (0.16")  
Effective Length: 57 [mm] (2.24")  
Jet Diameter: 3 [mm] (0.12")  
Number of Jets: 3  
Tooling: SW 26  
Material: Austenitic Stainless Steel / NBR (Buna-N)  
Temperature Range: -30°C to 120°C (-20°F to 250°F)

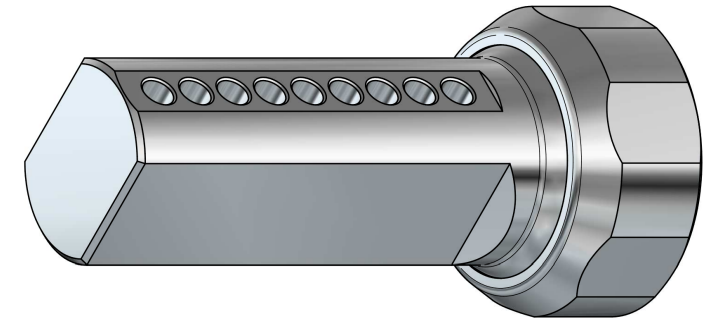
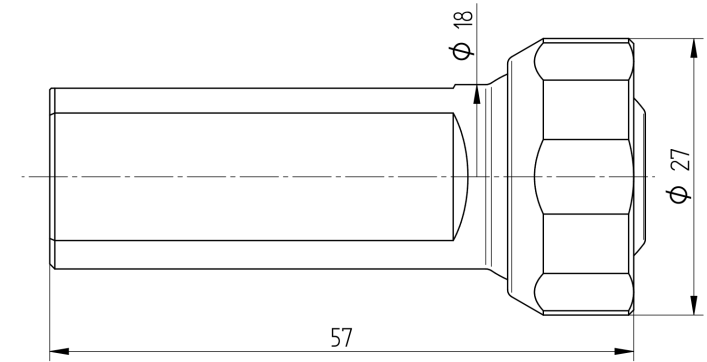
## JM09-P06



### S09 Chain Jet Extended 90° 6 Jets

SmarTec Line: S09  
Angle: 90°  
External Diameter: 27 [mm] (0.16")  
Effective Length: 57 [mm] (2.24")  
Jet Diameter: 3 [mm] (0.12")  
Number of Jets: 6  
Tooling: SW 26  
Material: Austenitic Stainless Steel / NBR (Buna-N)  
Temperature Range: -30°C to 120°C (-20°F to 250°F)

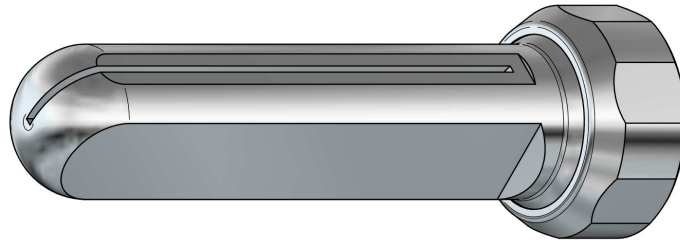
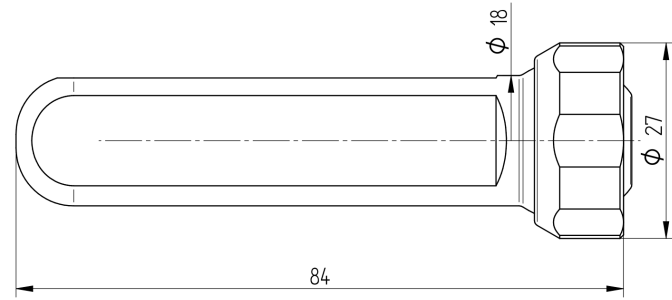
## JM09-P09



### S09 Chain Jet Extended 90° 9 Jets

SmarTec Line: S09  
Angle: 90°  
External Diameter: 27 [mm] (0.16")  
Effective Length: 57 [mm] (2.24")  
Jet Diameter: 3 [mm] (0.12")  
Number of Jets: 9  
Tooling: SW 26  
Material: Austenitic Stainless Steel / NBR (Buna-N)  
Temperature Range: -30°C to 120°C (-20°F to 250°F)

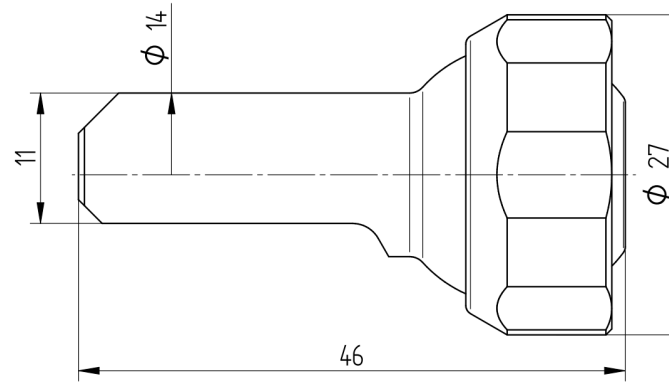
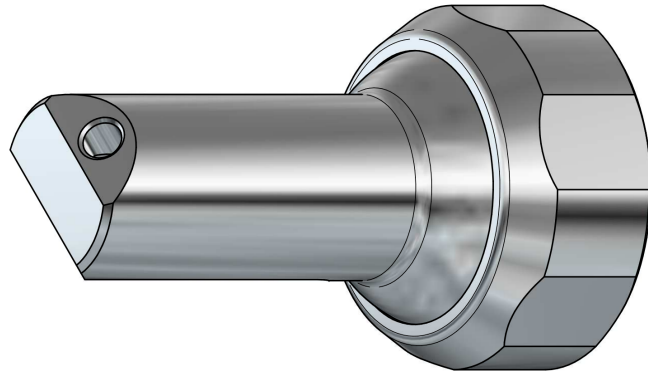
# JM09-S70



## S09 Chain Slot-Jet

SmarTec Line: S09  
Slot Length: 65 [mm] (2.56")  
Slot Thickness: 1 [mm] (0.04")  
External Diameter: 27 [mm] (0.16")  
Effective Length: 84 [mm] (3.3")  
Tooling: SW 26  
Material: Austenitic Stainless Steel / NBR (Buna-N)  
Temperature Range: -30°C to 120°C (-20°F to 250°F)

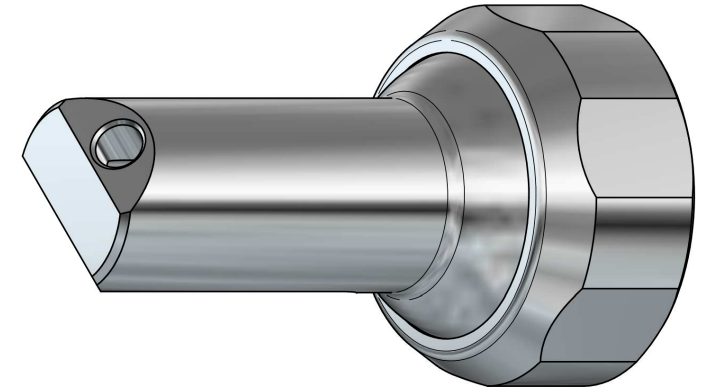
# JF09-D30



## S09 Chain Jet Extended 45° 3 mm

SmarTec Line: S09  
Angle: 45°  
External Diameter: 27 [mm] (1.06")  
Effective Length: 46 [mm] (1.8")  
Jet Diameter: 3 [mm] (0.12")  
Tooling: SW 26  
Material: Austenitic Stainless Steel / NBR (Buna-N)  
Temperature Range: -30°C to 120°C (-20°F to 250°F)

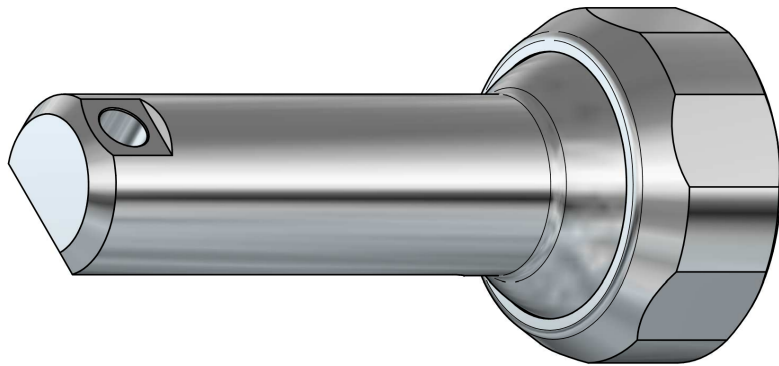
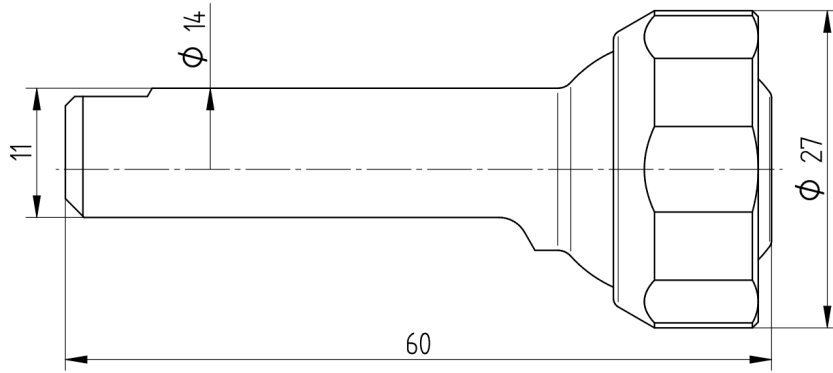
# JF09-D35



## S09 Chain Jet Extended 45° 3.5 mm

SmarTec Line: S09  
Angle: 45°  
External Diameter: 27 [mm] (1.06")  
Effective Length: 46 [mm] (1.8")  
Jet Diameter: 3.5 [mm] (0.14")  
Tooling: SW 26  
Material: Austenitic Stainless Steel / NBR (Buna-N)  
Temperature Range: -30°C to 120°C (-20°F to 250°F)

## JP09-D40



### S09 Chain Jet Extended 90° 4 mm

SmarTec Line: S09

Angle: 90°

External Diameter: 27 [mm] (1.06")

Effective Length: 60 [mm] (2.36")

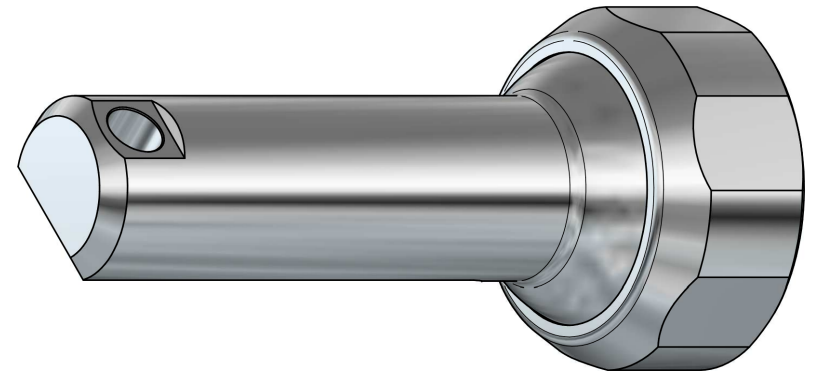
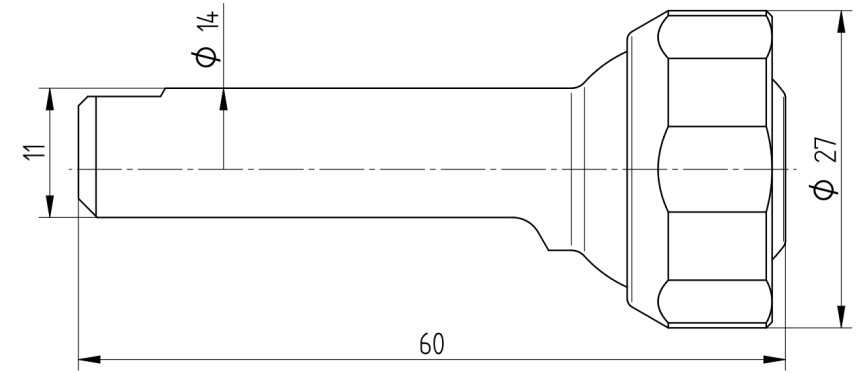
Jet Diameter: 4 [mm] (0.16")

Tooling: SW 26

Material: Austenitic Stainless Steel / NBR (Buna-N)

Temperature Range: -30°C to 120°C (-20°F to 250°F)

## JP09-D45



### S09 Chain Jet Extended 90° 4.5 mm

SmarTec Line: S09

Angle: 90°

External Diameter: 27 [mm] (1.06")

Effective Length: 60 [mm] (2.36")

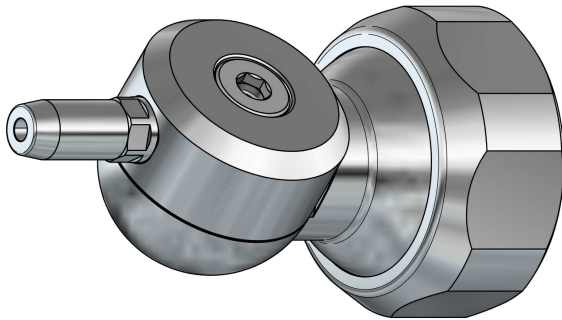
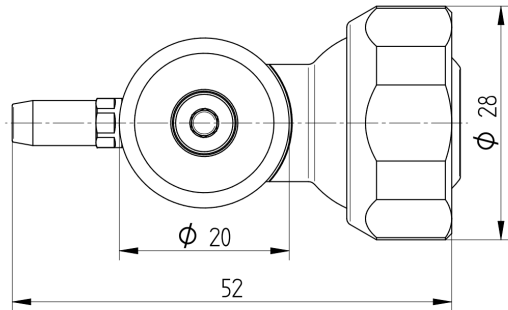
Jet Diameter: 4.5 [mm] (0.18")

Tooling: SW 26

Material: Austenitic Stainless Steel / NBR (Buna-N)

Temperature Range: -30°C to 120°C (-20°F to 250°F)

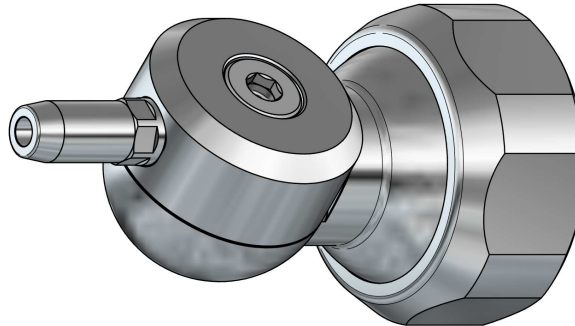
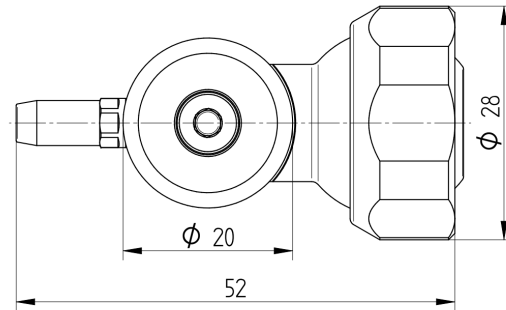
## JV09-D20



### S09 Chain Jet Variable 2 mm

SmarTec Line: S09  
Angle: Variable  
External Diameter: 27.5 [mm] (1.08")  
Effective Length: 52 [mm] (2.05")  
Jet Diameter: 2 [mm] (0.079")  
Tooling: SW 26  
Material: Austenitic Stainless Steel / NBR (Buna-N)  
Temperature Range: -30°C to 120°C (-20°F to 250°F)

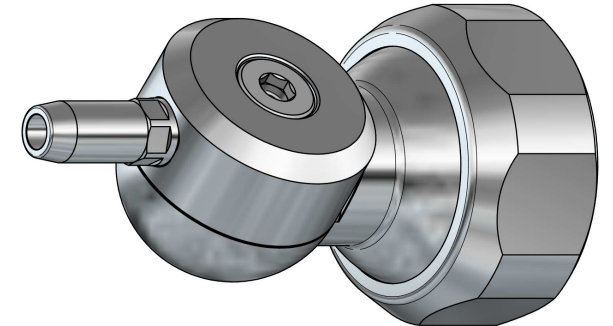
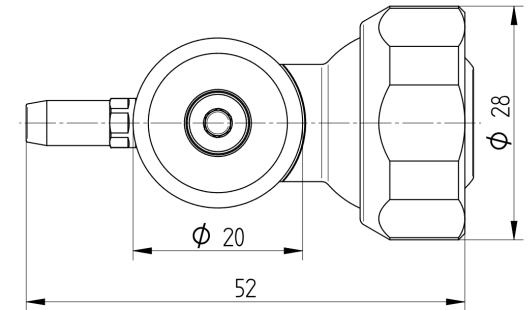
## JV09-D25



### S09 Chain Jet Variable 2.5 mm

SmarTec Line: S09  
Angle: Variable  
External Diameter: 27.5 [mm] (1.08")  
Effective Length: 52 [mm] (2.05")  
Jet Diameter: 2.5 [mm] (0.098")  
Tooling: SW 26  
Material: Austenitic Stainless Steel / NBR (Buna-N)  
Temperature Range: -30°C to 120°C (-20°F to 250°F)

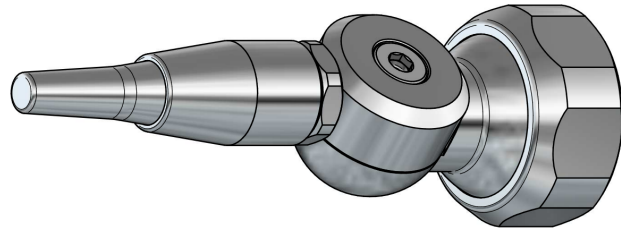
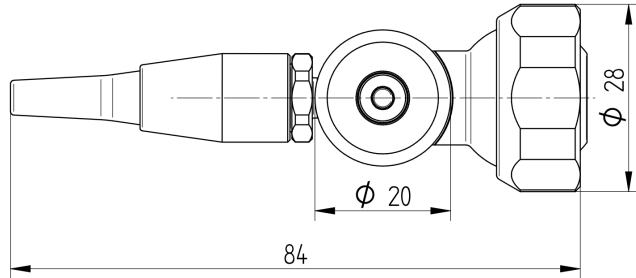
## JV09-D30



### S09 Chain Jet Variable 3 mm

SmarTec Line: S09  
Angle: Variable  
External Diameter: 27.5 [mm] (1.08")  
Effective Length: 52 [mm] (2.05")  
Jet Diameter: 3 [mm] (0.11")  
Tooling: SW 26  
Material: Austenitic Stainless Steel / NBR (Buna-N)  
Temperature Range: -30°C to 120°C (-20°F to 250°F)

# JV09-S06



## S09 Chain Jet Variable

SmarTec Line: S09

Angle: Variable

External Diameter: 32 [mm] (1.26")

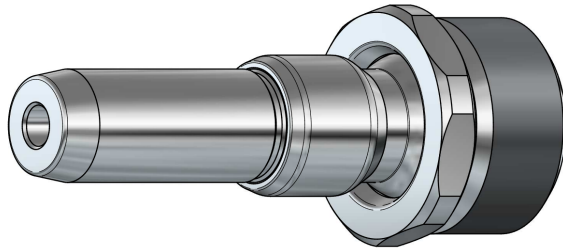
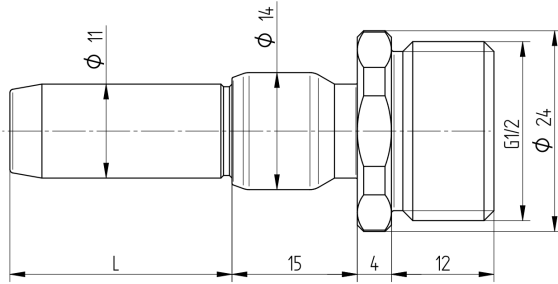
Effective Length: 84 [mm] (3.31")

Tooling: SW 30

Material: Austenitic Stainless Steel / NBR (Buna-N)

Temperature Range: -30°C to 120°C (-20°F to 250°F)

# JB09 - SML



Cat No.	L	D
JB09-S40	20	4.0
JB09-S60	20	6.0
JB09-S80	20	8.0
JB09-M40	40	4.0
JB09-M60	40	6.0
JB09-M80	40	8.0
JB09-L40	80	4.0
JB09-L60	80	6.0
JB09-L80	80	8.0

## S09 Block Jet Straight Modular

SmarTec Line: S09

External Diameter: 24 [mm] (0.945")

Effective Length: 39, 59, 99 [mm] (1.54", 2.3", 3.9")

Jet Diameter: 4, 6, 8 [mm] (0.16", 0.24", 0.32")

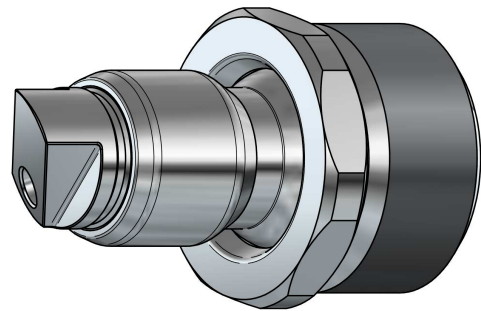
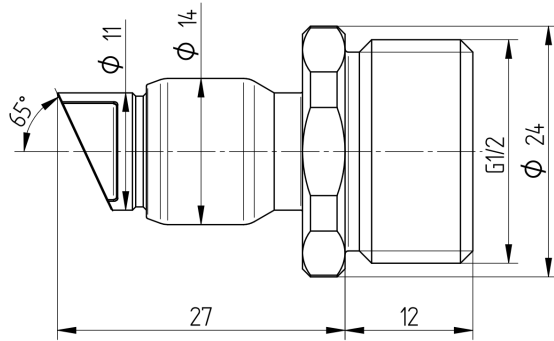
Tooling: SW 22

Material: Austenitic Stainless Steel / NBR (Buna-N)

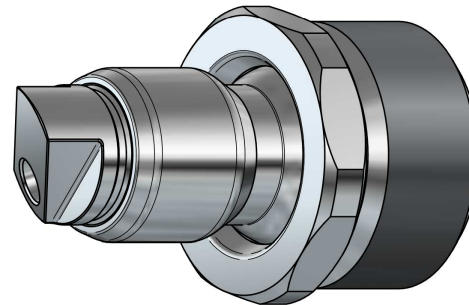
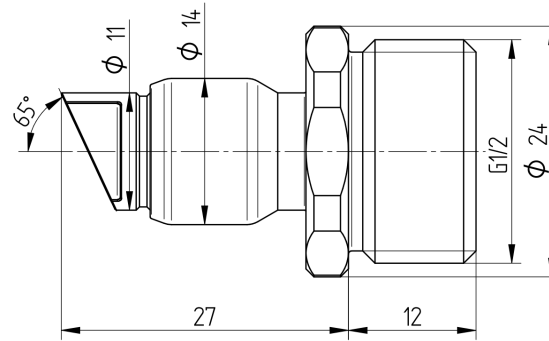
Temperature Range: -30°C to 120°C (-20°F to 250°F)



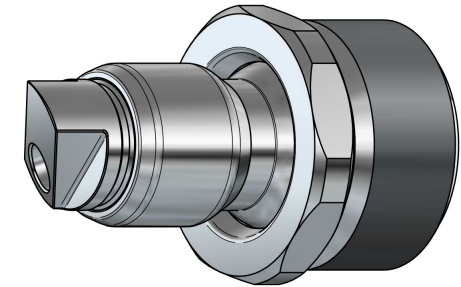
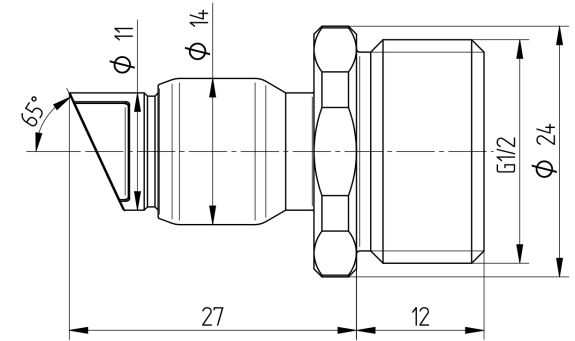
## JB09-V30



## JB09-V35



## JB09-V40



### S09 Block Jet 0° to 50° 3 mm

SmarTec Line: S09  
External Diameter: 24 [mm] (0.95")  
Effective Length: 27 [mm] (1.06")  
Jet Diameter: 3 [mm] (0.12")  
Max Horizontal Angle: 50°  
Min Horizontal Angle: 0°  
Tooling: SW 22  
Thread: G1/2  
Material: Austenitic Stainless Steel / NBR (Buna-N)  
Temperature Range: -30°C to 120°C (-20°F to 250°F)

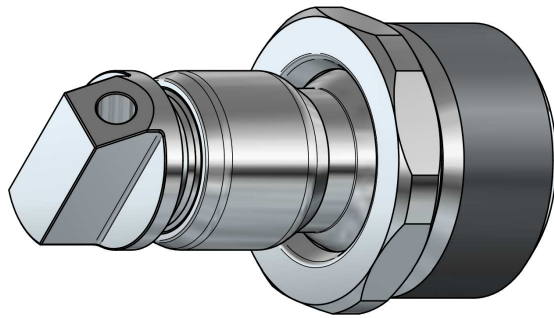
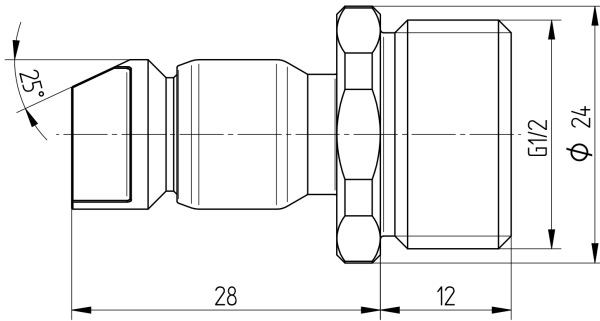
### S09 Block Jet 0° to 50° 3.5 mm

SmarTec Line: S09  
External Diameter: 24 [mm] (0.95")  
Effective Length: 27 [mm] (1.06")  
Jet Diameter: 3.5 [mm] (0.14")  
Max Horizontal Angle: 50°  
Min Horizontal Angle: 0°  
Tooling: SW 22  
Thread: G1/2  
Material: Austenitic Stainless Steel / NBR (Buna-N)  
Temperature Range: -30°C to 120°C (-20°F to 250°F)

### S09 Block Jet 0° to 50° 4 mm

SmarTec Line: S09  
External Diameter: 24 [mm] (0.95")  
Effective Length: 27 [mm] (1.06")  
Jet Diameter: 4 [mm] (0.16")  
Max Horizontal Angle: 50°  
Min Horizontal Angle: 0°  
Tooling: SW 22  
Thread: G1/2  
Material: Austenitic Stainless Steel / NBR (Buna-N)  
Temperature Range: -30°C to 120°C (-20°F to 250°F)

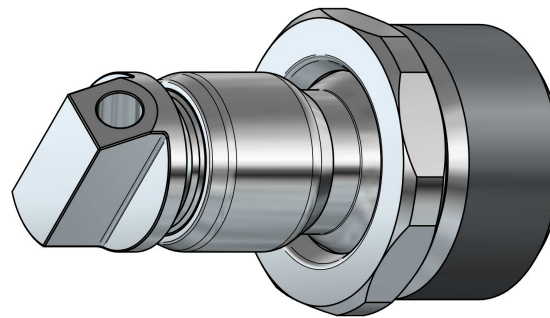
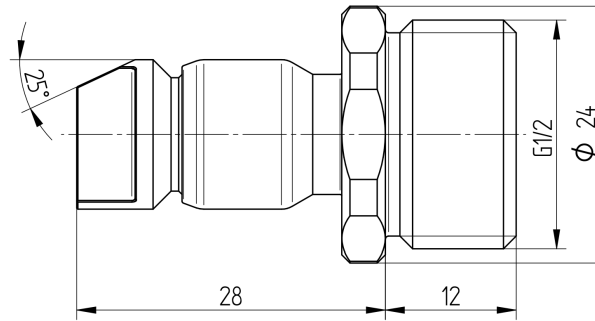
## JB09-W30



### S09 Block Jet 40° to 90° 3 mm

SmarTec Line: S09  
External Diameter: 24 [mm] (0.95")  
Effective Length: 28 [mm] (1.1")  
Jet Diameter: 3 [mm] (0.12")  
Max Horizontal Angle: 90°  
Min Horizontal Angle: 40°  
Tooling: SW 22  
Thread: G1/2  
Material: Austenitic Stainless Steel / NBR (Buna-N)  
Temperature Range: -30°C to 120°C (-20°F to 250°F)

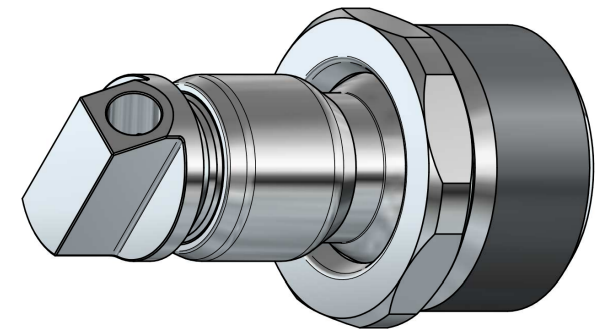
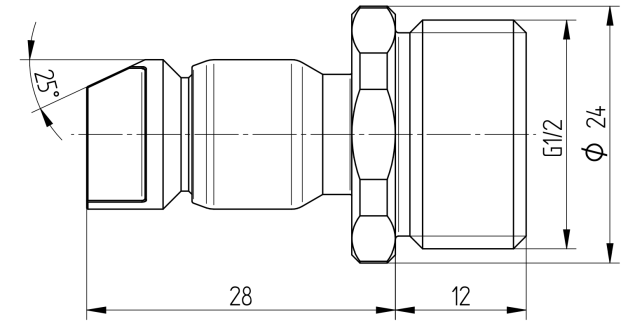
## JB09-W35



### S09 Block Jet 40° to 90° 3.5 mm

SmarTec Line: S09  
External Diameter: 24 [mm] (0.95")  
Effective Length: 28 [mm] (1.1")  
Jet Diameter: 3.5 [mm] (0.14")  
Max Horizontal Angle: 90°  
Min Horizontal Angle: 40°  
Tooling: SW 22  
Thread: G1/2  
Material: Austenitic Stainless Steel / NBR (Buna-N)  
Temperature Range: -30°C to 120°C (-20°F to 250°F)

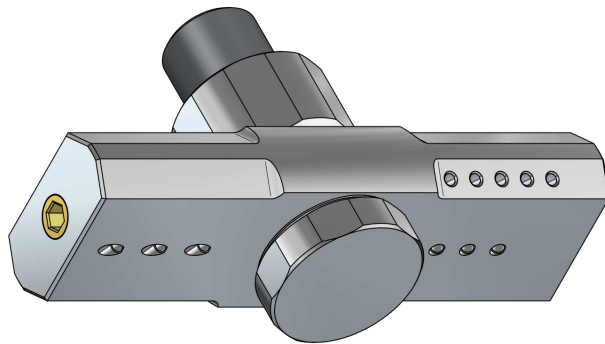
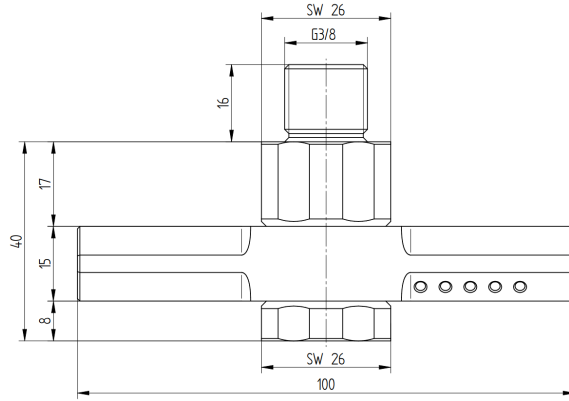
## JB09-W40



### S09 Block Jet 40° to 90° 4 mm

SmarTec Line: S09  
External Diameter: 24 [mm] (0.95")  
Effective Length: 28 [mm] (1.1")  
Jet Diameter: 4 [mm] (0.16")  
Max Horizontal Angle: 90°  
Min Horizontal Angle: 40°  
Tooling: SW 22  
Thread: G1/2  
Material: Austenitic Stainless Steel / NBR (Buna-N)  
Temperature Range: -30°C to 120°C (-20°F to 250°F)

# JR09



## S09 Machine Cleaning Jet Self Rotating

SmarTec Line: S09

External Diameter: 100 [mm] (3.94")

Connecting Thread: G 3/8

Thread Length: 15 [mm] (0.6")

Effective Length: 40 [mm] (1.575")

Internal Diameter: 9.5 [mm] (0.374")

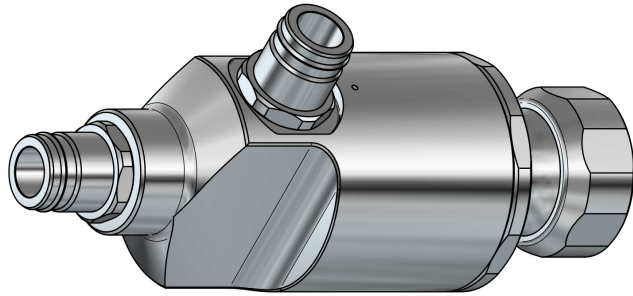
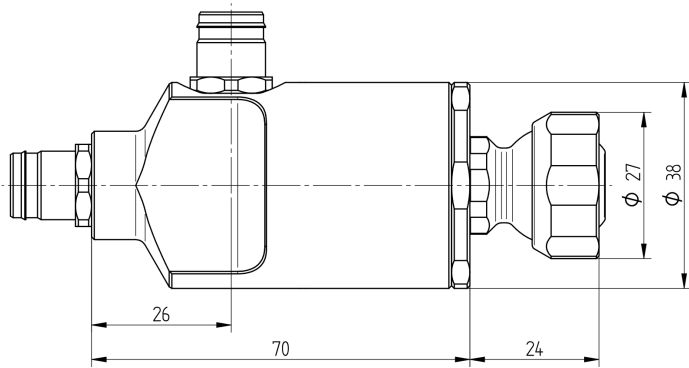
Tools: SW 26

Bearings: TFM SLEEVE

Material: Austenitic Stainless Steel / NBR / Brass

Temperature Range: -30°C to 120°C (-20°F to 250°F)

# VL00



## Mechanical Valve

SmarTec Line: S09

External Diameter: 38 [mm] (1.5")

Effective Length: 82 [mm] (3.23")

Internal Diameter: 9.5 [mm] (0.374")

Air Fittings connection: G1/4

Tooling: SW 26

Material: Austenitic Stainless Steel / NBR (Buna-N)

Temperature Range: -30°C to 120°C (-20°F to 250°F)

<b>KIT 09</b>			
<b>No.</b>	<b>Product Code</b>	<b>Product Description</b>	<b>Quantity</b>
1	AM09-R250	Machine adaptor R1/4	1
2	AM09-R375	Machine adaptor R3/8	1
3	AM09-R500	Machine adaptor R1/2	1
4	CH09-AS	Chain unit straight S	6
5	CH09-FS	Chain unit 45* S	1
6	CH09-PS	Chain unit 90* S	1
7	CH09-MZ	Aeroforce™ 09	1
8	JH09-D40	Chain jet basic 4 mm	1
9	JH09-D50	Chain jet basic 5 mm	1
10	JH09-D60	Chain jet basic 6 mm	1
11	VL00	Mechanical valve	1
12	EX-PCV08	Pneumatic check valve for A tube 08	1
13	EX-PAR08	Pneumatic air regulator for A tube 08	1
14	EQ09-FK80	S09 Flat key short	1

Lines 1, 2 and 3 may be ordered with:

<b>No.</b>	<b>Product Code</b>	<b>Product Description</b>	<b>Quantity</b>
1	AM09-G250	Machine adaptor G1/4	1
2	AM09-G375	Machine adaptor G3/8	1
3	AM09-G500	Machine adaptor G1/2	1