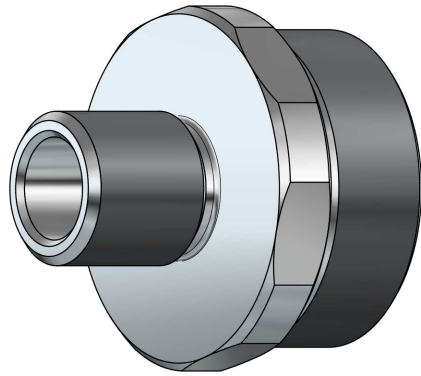
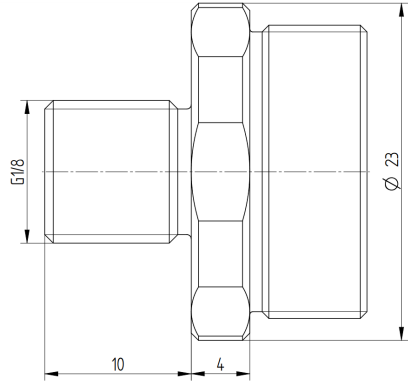


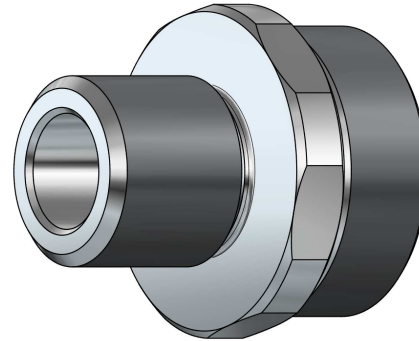
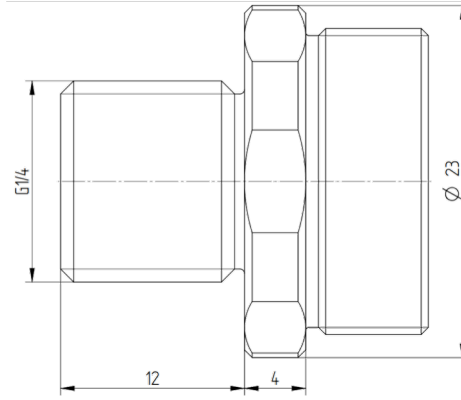
**smartec**

Series 06

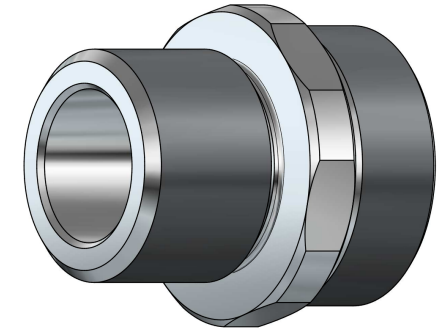
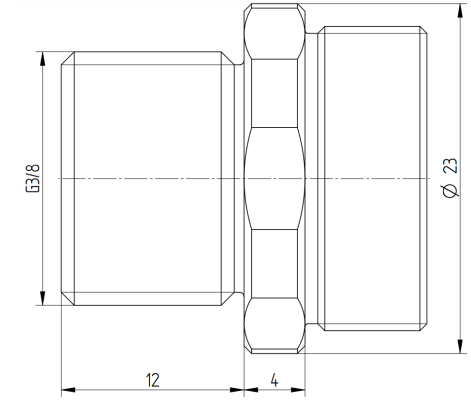
## AM06-G125



## AM06-G250



## AM06-G375



### S06 Machine Adaptor G1/8

SmarTec Line: S06  
External Diameter: 23 [mm] (0.9")  
Effective Length: 4 [mm] (0.16")  
Internal Diameter: 6.5 [mm] (0.256")  
Tooling: SW 22  
Thread: G1/8  
Material: Austenitic Stainless Steel  
Temperature Range: -30°C to 120°C (-20°F to 250°F)

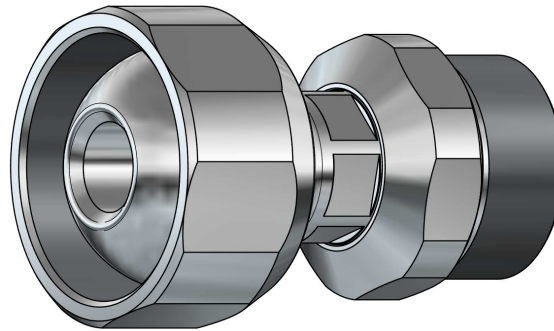
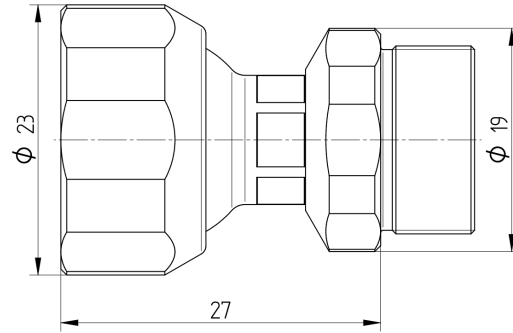
### S06 Machine Adaptor G1/4

SmarTec Line: S06  
External Diameter: 23 [mm] (0.9")  
Effective Length: 4 [mm] (0.16")  
Internal Diameter: 6.5 [mm] (0.256")  
Tooling: SW 22  
Thread: G1/4  
Material: Austenitic Stainless Steel  
Temperature Range: -30°C to 120°C (-20°F to 250°F)

### S06 Machine Adaptor G3/8

SmarTec Line: S06  
External Diameter: 23 [mm] (0.9")  
Effective Length: 4 [mm] (0.16")  
Internal Diameter: 6.5 [mm] (0.256")  
Tooling: SW 22  
Thread: G3/8  
Material: Austenitic Stainless Steel  
Temperature Range: -30°C to 120°C (-20°F to 250°F)

# AS06-TS03



## S06 to S03 Series Adaptor

SmarTec Line: S06

Base Line: S06

Secondary Line: S03

External Diameter: 23 [mm] (0.9")

Effective Length: 27 [mm] (1.06")

Internal Diameter: 3.5 [mm] (0.14")

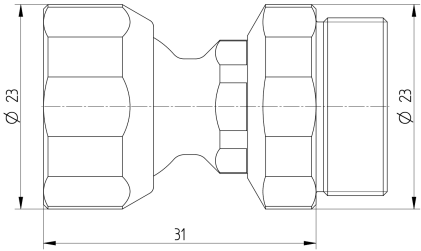
Tooling: SW 22, SW18

Material: Austenitic Stainless Steel / NBR (Buna-N)

Temperature Range: -30°C to 120°C (-20°F to 250°F)

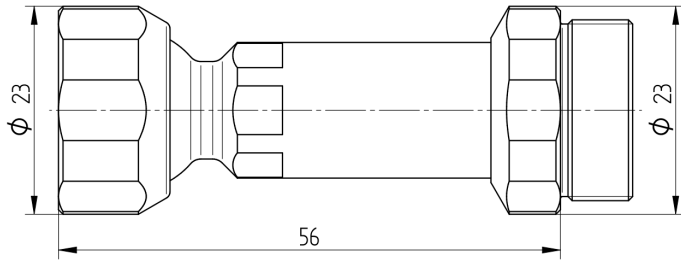
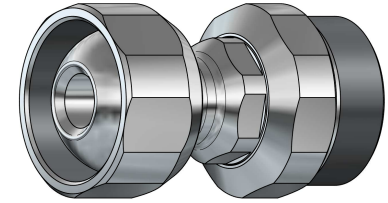
# CH06A

## S06 Chain Unit Straight Short



SmarTec Line: S06  
External Diameter: 23 [mm] (0.9")  
Effective Length: 31 [mm] (1.2")  
Internal Diameter: 6.5 [mm] (0.256")  
Tooling: SW 22  
Material: Austenitic Stainless Steel / NBR (Buna-N)  
Temperature Range: -30°C to 120°C (-20°F to 250°F)

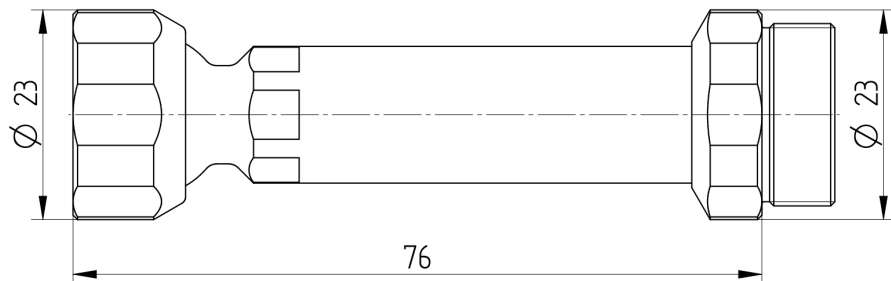
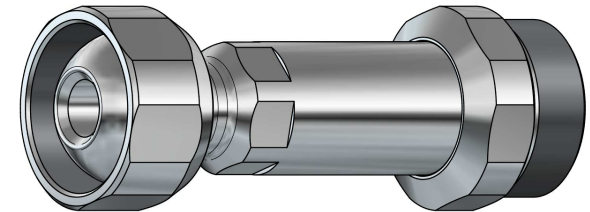
## CH06-AS



SmarTec Line: S06  
External Diameter: 23 [mm] (0.9")  
Effective Length: 56 [mm] (2.2")  
Internal Diameter: 6.5 [mm] (0.256")  
Tooling: SW 22  
Material: Austenitic Stainless Steel / NBR (Buna-N)  
Temperature Range: -30°C to 120°C (-20°F to 250°F)

## S06 Chain Unit Straight Mean

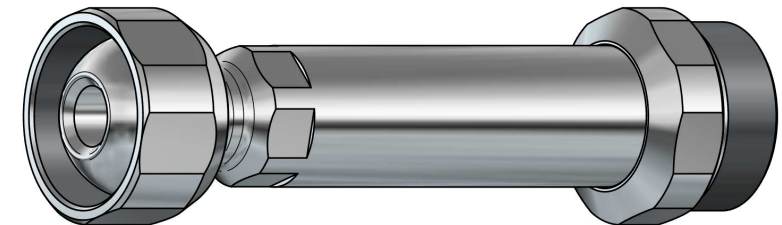
## CH06-AM



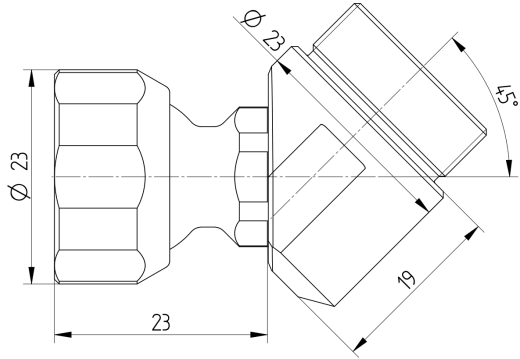
SmarTec Line: S06  
External Diameter: 23 [mm] (0.9")  
Effective Length: 76 [mm] (3")  
Internal Diameter: 6.5 [mm] (0.256")  
Tooling: SW 22  
Material: Austenitic Stainless Steel / NBR (Buna-N)  
Temperature Range: -30°C to 120°C (-20°F to 250°F)

## S06 Chain Unit Straight Long

## CH06-AL



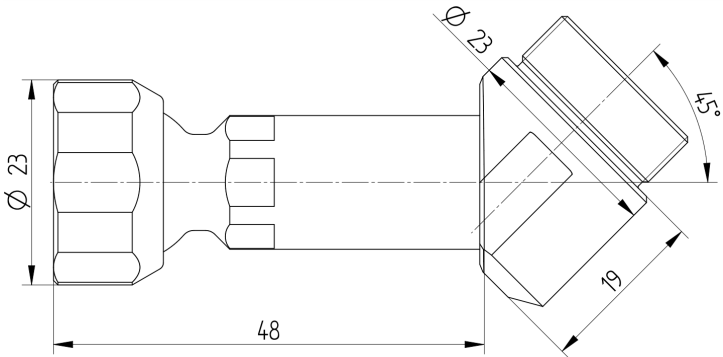
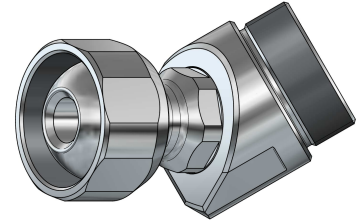
# CH06F



## S06 Chain Unit 45° Short

SmarTec Line: S06  
Angle: 45°  
External Diameter: 23 [mm] (0.9")  
Effective Length: 23, 19 [mm] (0.9", 0.75")  
Internal Diameter: 6.5 [mm] (0.256")  
Tooling: SW 22  
Material: Austenitic Stainless Steel / NBR (Buna-N)  
Temperature Range: -30°C to 120°C (-20°F to 250°F)

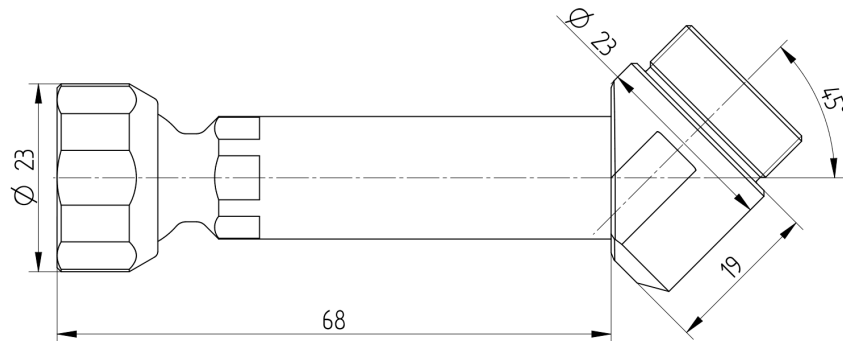
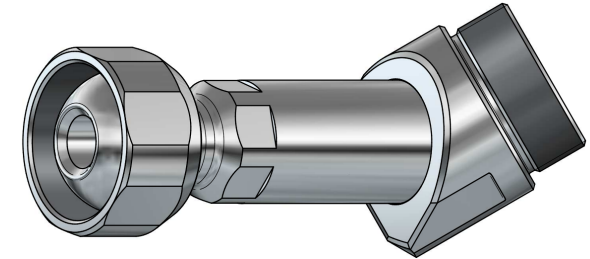
## CH06-FS



## S06 Chain Unit 45° Mean

SmarTec Line: S06  
Angle: 45°  
External Diameter: 23 [mm] (0.9")  
Effective Length: 48, 19 [mm] (1.9", 0.75")  
Internal Diameter: 6.5 [mm] (0.256")  
Tooling: SW 22  
Material: Austenitic Stainless Steel / NBR (Buna-N)  
Temperature Range: -30°C to 120°C (-20°F to 250°F)

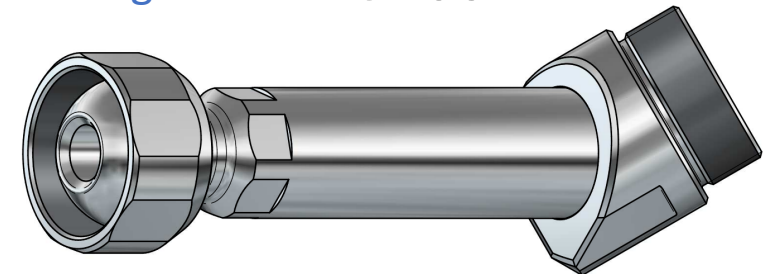
## CH06-FM



## S06 Chain Unit 45° Long

SmarTec Line: S06  
Angle: 45°  
External Diameter: 23 [mm] (0.9")  
Effective Length: 68, 19 [mm] (2.68", 0.75")  
Internal Diameter: 6.5 [mm] (0.256")  
Tooling: SW 22  
Material: Austenitic Stainless Steel / NBR (Buna-N)  
Temperature Range: -30°C to 120°C (-20°F to 250°F)

## CH06-FL

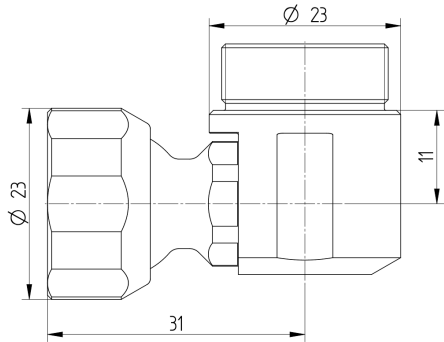
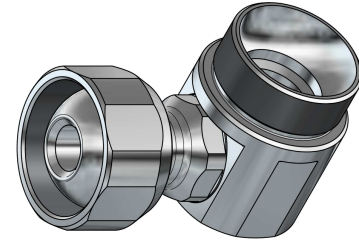


# CH06P

## S06 Chain Unit 90° Short

SmarTec Line: S06  
Angle: 90°  
External Diameter: 23 [mm] (0.9")  
Effective Length: 31, 11 [mm] (1.2", 0.43")  
Internal Diameter: 6.5 [mm] (0.256")  
Tooling: SW 22  
Material: Austenitic Stainless Steel / NBR (Buna-N)  
Temperature Range: -30°C to 120°C (-20°F to 250°F)

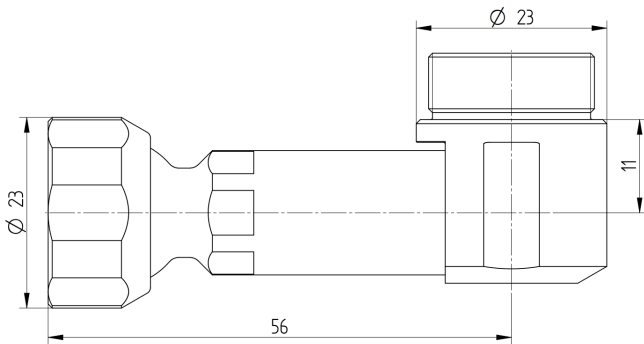
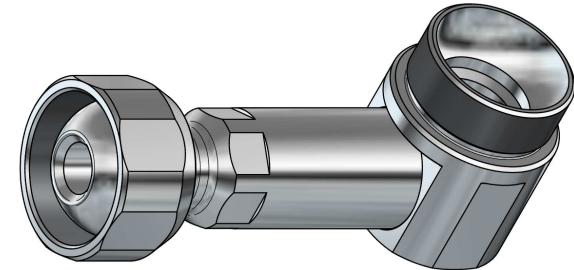
## CH06-PS



## S06 Chain Unit 90° Mean

SmarTec Line: S06  
Angle: 90°  
External Diameter: 23 [mm] (0.9")  
Effective Length: 56, 11 [mm] (2.2", 0.43")  
Internal Diameter: 6.5 [mm]  
Tooling: SW 22  
Material: Austenitic Stainless Steel / NBR (Buna-N)  
Temperature Range: -30°C to 120°C (-20°F to 250°F)

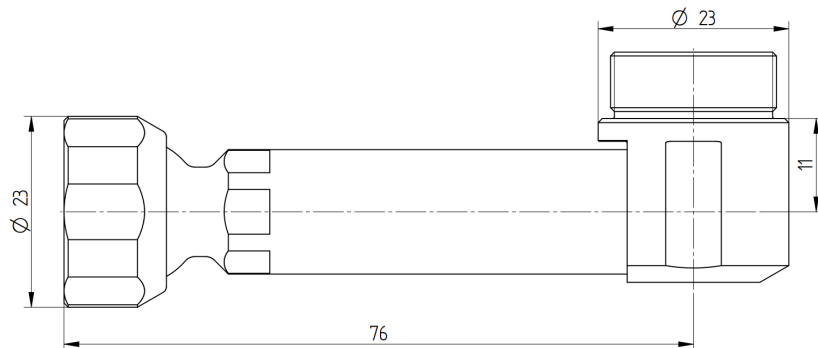
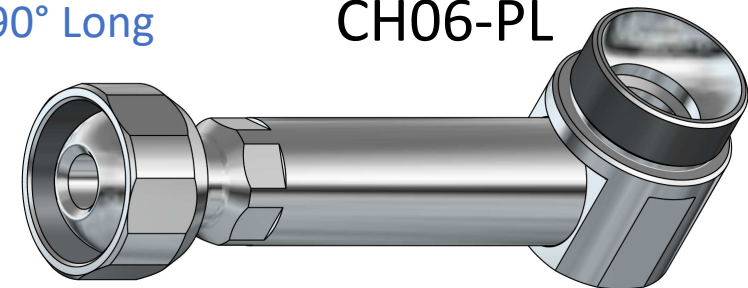
## CH06-PM



## S06 Chain Unit 90° Long

SmarTec Line: S06  
Angle: 90°  
External Diameter: 23 [mm] (0.9")  
Effective Length: 76, 11 [mm] (3", 0.43")  
Internal Diameter: 6.5 [mm] (0.256")  
Tooling: SW 22  
Material: Austenitic Stainless Steel / NBR (Buna-N)  
Temperature Range: -30°C to 120°C (-20°F to 250°F)

## CH06-PL

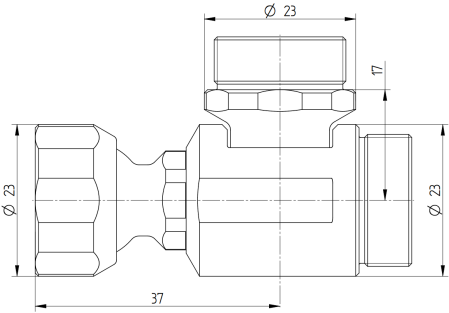
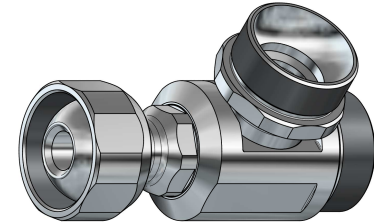


# CH06T

## S06 Chain Unit T Short

SmarTec Line: S06  
Angle: 90° + 90°  
External Diameter: 23 [mm] (0.9")  
Effective Length: 37, 17 [mm] (1.45", 0.67")  
Internal Diameter: 6.5 [mm] (0.256")  
Tooling: SW 22  
Material: Austenitic Stainless Steel / NBR (Buna-N)  
Temperature Range: -30°C to 120°C (-20°F to 250°F)

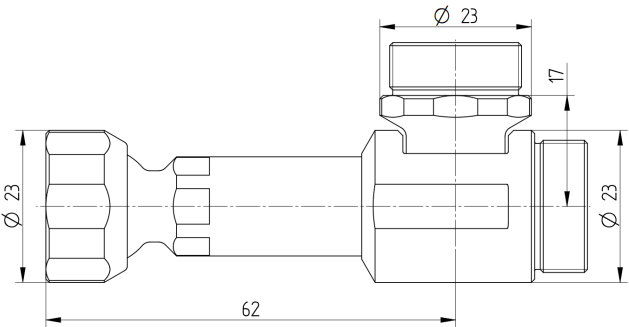
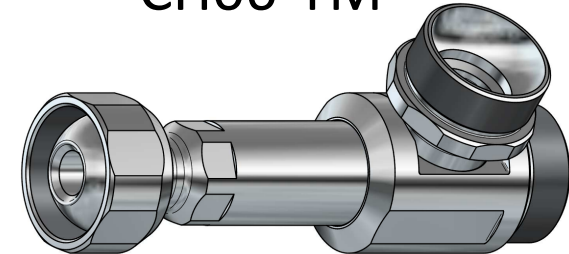
## CH06-TS



## S06 Chain Unit T Mean

SmarTec Line: S06  
Angle: 90° + 90°  
External Diameter: 23 [mm] (0.9")  
Effective Length: 62, 17 [mm] (2.44", 0.67")  
Internal Diameter: 6.5 [mm] (0.256")  
Tooling: SW 22  
Material: Austenitic Stainless Steel / NBR (Buna-N)  
Temperature Range: -30°C to 120°C (-20°F to 250°F)

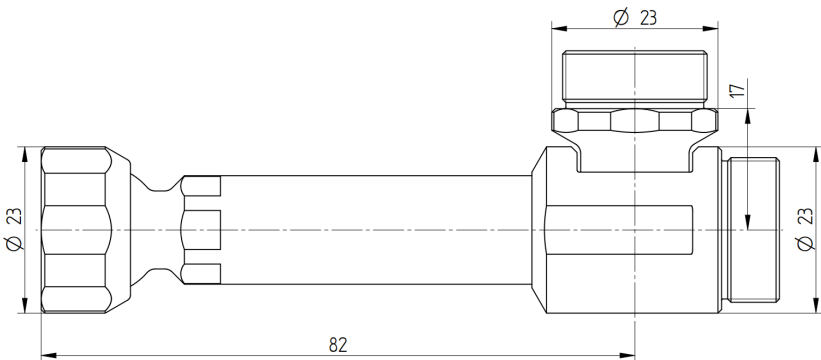
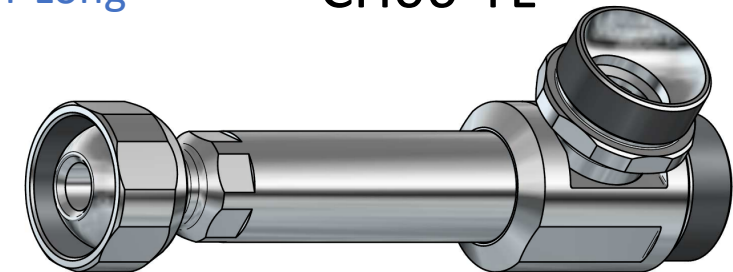
## CH06-TM



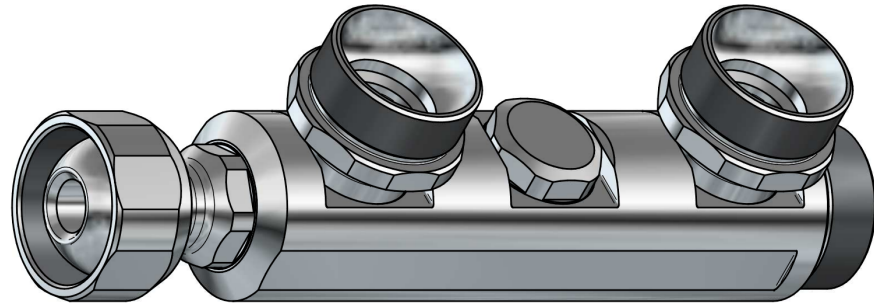
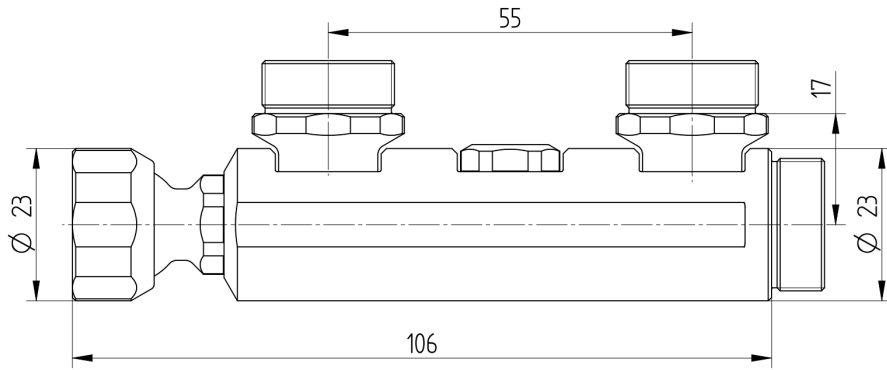
## S06 Chain Unit T Long

SmarTec Line: S06  
Angle: 90° + 90°  
External Diameter: 23 [mm] (0.9")  
Effective Length: 82, 17 [mm] (3.2", 0.67")  
Internal Diameter: 6.5 [mm] (0.256")  
Tooling: SW 22  
Material: Austenitic Stainless Steel / NBR (Buna-N)  
Temperature Range: -30°C to 120°C (-20°F to 250°F)

## CH06-TL



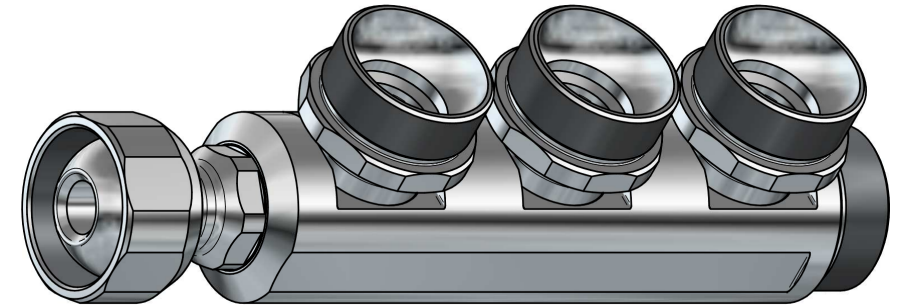
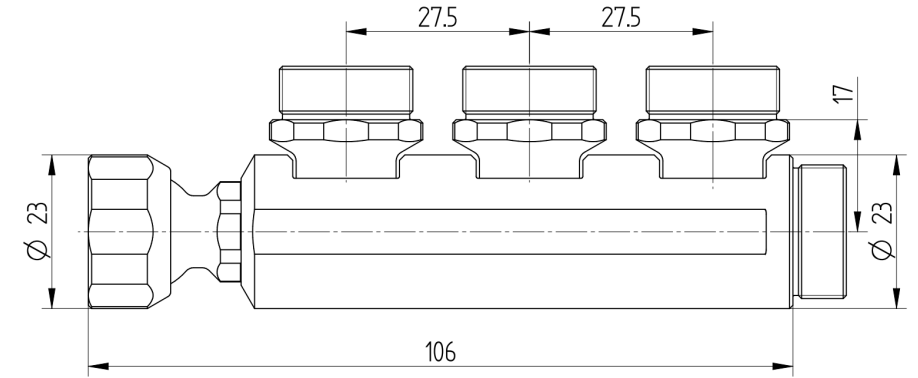
## CH06-TD



### S06 Chain Unit T Dual Exit

SmarTec Line: S06  
Angle: 90° + 90°  
No. of Exits: 2  
External Diameter: 23 [mm] (0.9")  
Effective Length: 106, 55 [mm] (4.17", 2.16")  
Internal Diameter: 6.5 [mm] (0.256")  
Tooling: SW 22  
Material: Austenitic Stainless Steel / NBR (Buna-N)  
Temperature Range: -30°C to 120°C (-20°F to 250°F)

## CH06-TT



### S06 Chain Unit T Triple Exit

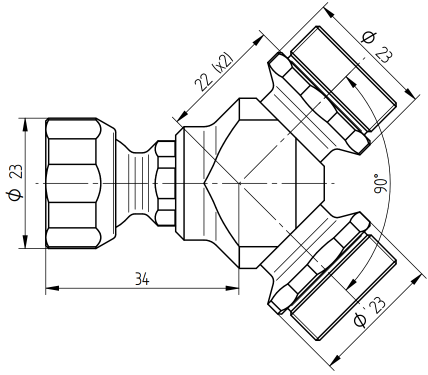
SmarTec Line: S06  
Angle: 90° + 90°  
No. of Exits: 3  
External Diameter: 23 [mm] (0.9")  
Effective Length: 106, 27.5 [mm] (4.17", 1.1")  
Internal Diameter: 6.5 [mm] (0.256")  
Tooling: SW 22  
Material: Austenitic Stainless Steel / NBR (Buna-N)  
Temperature Range: -30°C to 120°C (-20°F to 250°F)



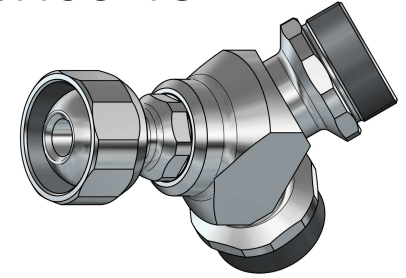
# CH06Y

## S06 Chain Unit Y Short

SmarTec Line: S06  
Angle: 45° + 45°  
External Diameter: 23 [mm] (0.9")  
Effective Length: 34, 22, 22 [mm] (1.34", 0.87", 0.87")  
Internal Diameter: 6.5 [mm] (0.256")  
Tooling: SW 22  
Material: Austenitic Stainless Steel / NBR (Buna-N)  
Temperature Range: -30°C to 120°C (-20°F to 250°F)

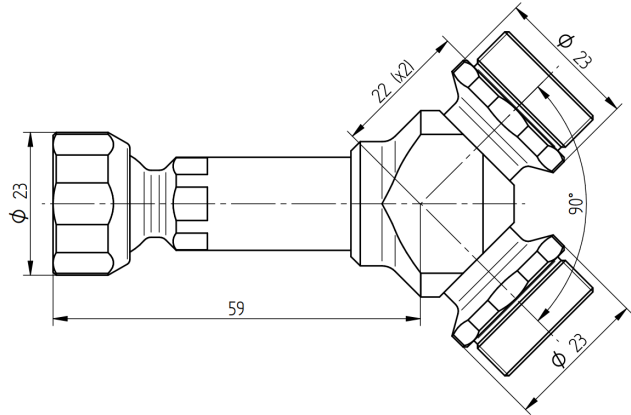


## CH06-YS

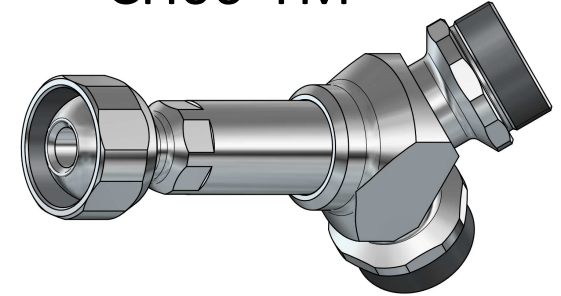


## S06 Chain Unit Y Mean

SmarTec Line: S06  
Angle: 45° + 45°  
External Diameter: 23 [mm] (0.9")  
Effective Length: 59, 22, 22 [mm] (2.3", 0.87", 0.87")  
Internal Diameter: 6.5 [mm] (0.256")  
Tooling: SW 22  
Material: Austenitic Stainless Steel / NBR (Buna-N)  
Temperature Range: -30°C to 120°C (-20°F to 250°F)

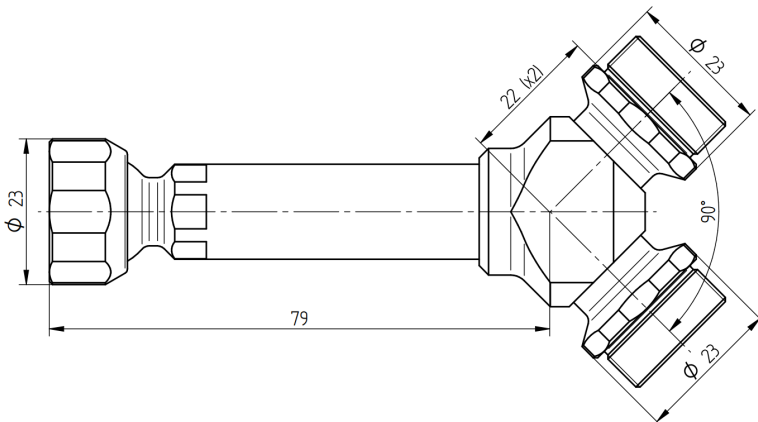


## CH06-YM

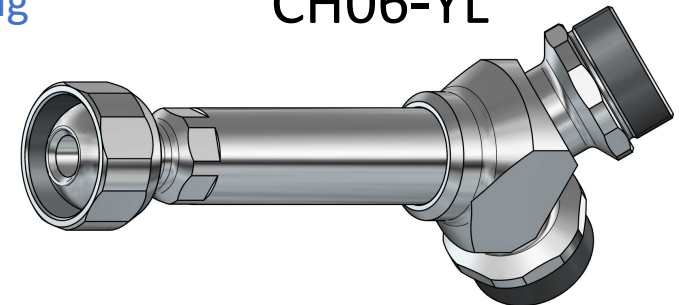


## S06 Chain Unit Y Long

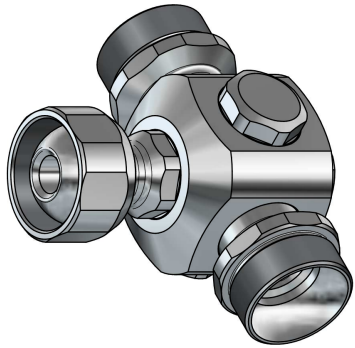
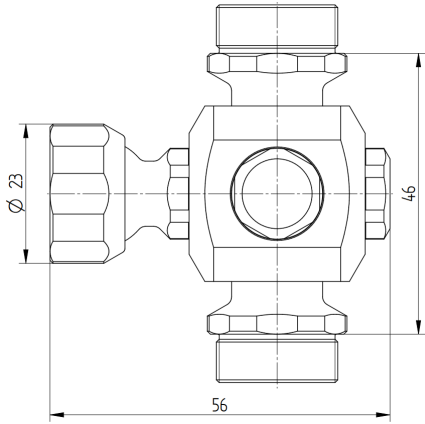
SmarTec Line: S06  
Angle: 45° + 45°  
External Diameter: 23 [mm] (0.9")  
Effective Length: 79, 22, 22 [mm] (3.1", 0.87", 0.87")  
Internal Diameter: 6.5 [mm] (0.256")  
Tooling: SW 22  
Material: Austenitic Stainless Steel / NBR (Buna-N)  
Temperature Range: -30°C to 120°C (-20°F to 250°F)



## CH06-YL

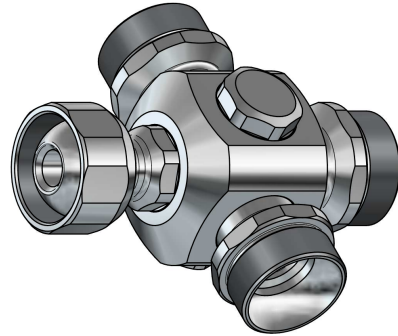
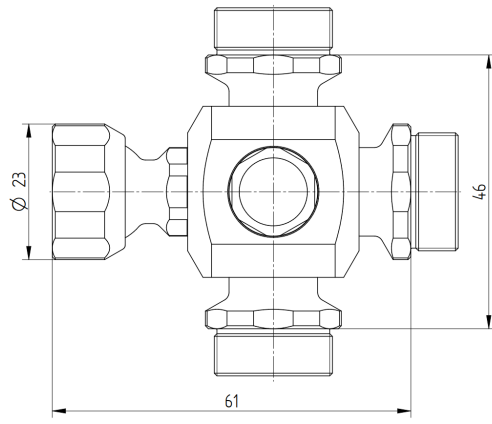


# CH06-X2

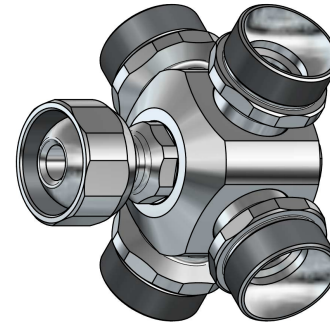
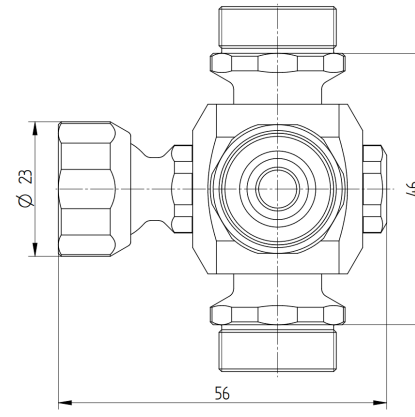


# CH06-X3

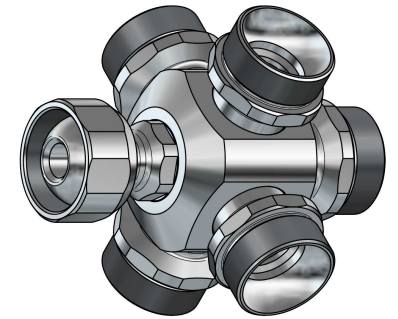
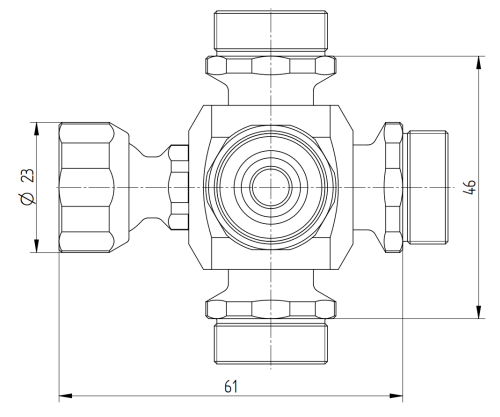
# CH06X



# CH06-X4



# CH06-X5



## S06 Chain Unit X2 Exits

SmarTec Line: S06  
 Angle: 90°  
 No. of Exits: 2  
 External Diameter: 23 [mm] (0.9")  
 Effective Length: 56, 46 [mm] (2.2", 1.8")  
 Internal Diameter: 9.5 [mm] (0.374")  
 Tooling: SW 22  
 Material: Austenitic Stainless Steel / NBR (Buna-N)  
 Temperature Range: -30°C to 120°C (-20°F to 250°F)

## S06 Chain Unit X3 Exits

SmarTec Line: S06  
 Angle: 90°  
 No. of Exits: 3  
 External Diameter: 23 [mm] (0.9")  
 Effective Length: 61, 46 [mm] (2.4", 1.8")  
 Internal Diameter: 9.5 [mm] (0.374")  
 Tooling: SW 22  
 Material: Austenitic Stainless Steel / NBR (Buna-N)  
 Temperature Range: -30°C to 120°C (-20°F to 250°F)

## S06 Chain Unit X4 Exits

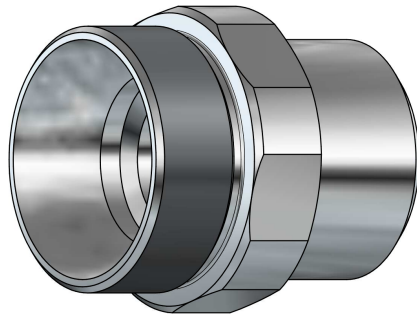
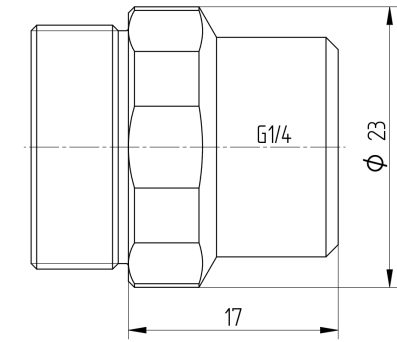
SmarTec Line: S06  
 Angle: 90°  
 No. of Exits: 4  
 External Diameter: 23 [mm] (0.9")  
 Effective Length: 56, 46 [mm] (2.2", 1.8")  
 Internal Diameter: 9.5 [mm] (0.374")  
 Tooling: SW 22  
 Material: Austenitic Stainless Steel / NBR (Buna-N)  
 Temperature Range: -30°C to 120°C (-20°F to 250°F)

## S06 Chain Unit X5 Exits

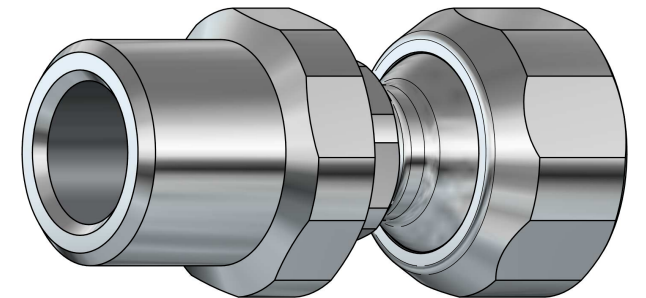
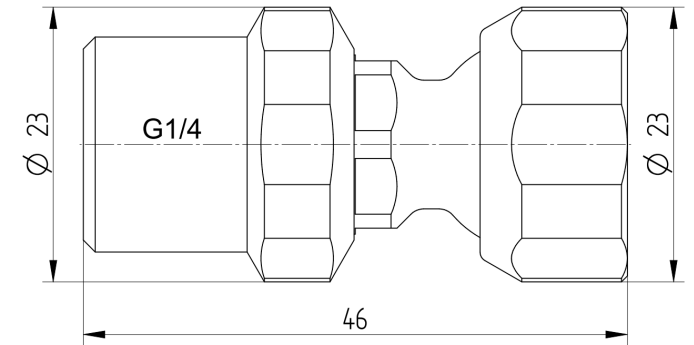
SmarTec Line: S06  
 Angle: 90°  
 No. of Exits: 5  
 External Diameter: 23 [mm] (0.9")  
 Effective Length: 61, 46 [mm] (2.4", 1.8")  
 Internal Diameter: 9.5 [mm] (0.374")  
 Tooling: SW 22  
 Material: Austenitic Stainless Steel / NBR (Buna-N)  
 Temperature Range: -30°C to 120°C (-20°F to 250°F)

# CH06E

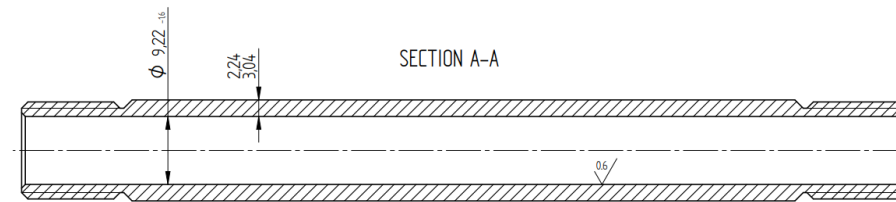
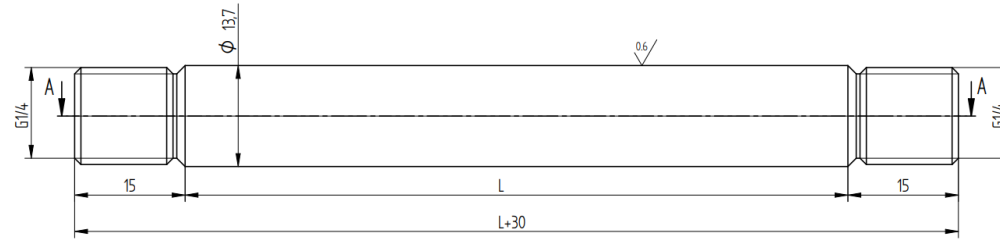
## CH06-EF



## CH06-ER



Pipe Seamless Schedules 40 / 80



Pipe Size - 1/4  
Pipe for CH06E

## S06 Chain Unit Extension Front Adaptor

SmarTec Line: S06  
 External Diameter: 23 [mm] (0.9")  
 Effective Length: 17 [mm] (0.67")  
 Internal Diameter: 6.5 [mm] (0.256")  
 Thread: G1/4  
 Tooling: SW 22  
 Material: Austenitic Stainless Steel  
 Temperature Range: -30°C to 120°C (-20°F to 250°F)

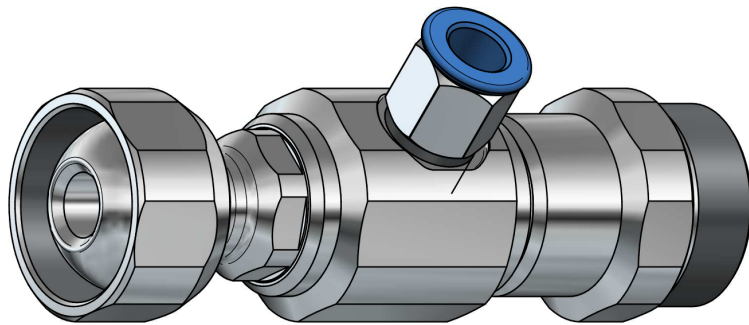
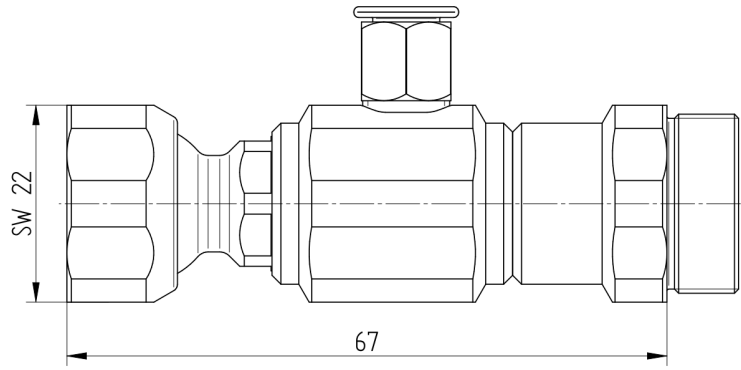
## S06 Chain Unit Pipe Extension



## S06 Chain Unit Extension Rear Adaptor

SmarTec Line: S06  
 External Diameter: 23 [mm] (0.9")  
 Effective Length: 46 [mm] (1.8")  
 Internal Diameter: 6.5 [mm] (0.256")  
 Thread: G1/4  
 Tooling: SW 22  
 Material: Austenitic Stainless Steel / NBR (Buna-N)  
 Temperature Range: -30°C to 120°C (-20°F to 250°F)

# CH06-MZ



## S06 Chain Unit Aeroforce™

SmarTec Line: S06

External Diameter: 23 [mm] (0.9")

Effective Length: 67 [mm] (2.64")

Internal Diameter: 6.5 [mm] (0.256")

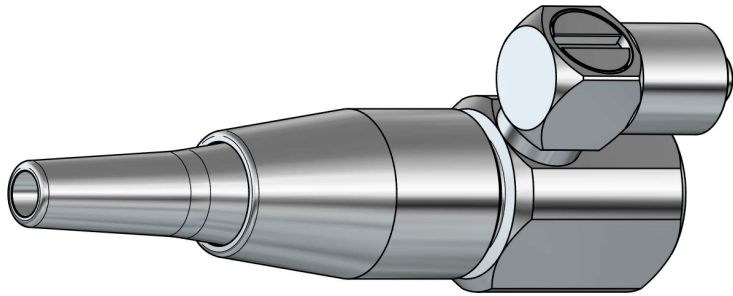
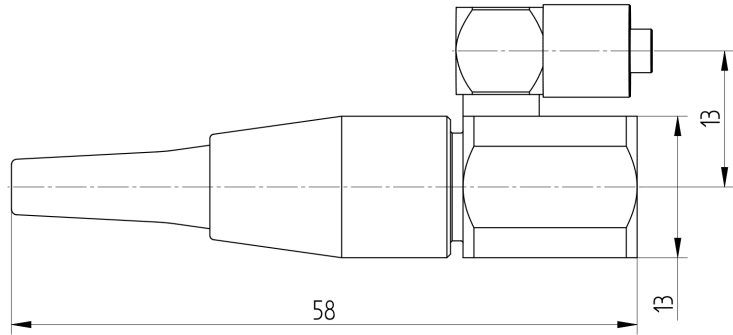
Air Tube: 6X4

Tooling: SW 22

Material: Austenitic Stainless Steel

Temperature Range: -30°C to 120°C (-20°F to 250°F)

## JD06



## S06 Smart Jet

SmarTec Line: S06

Chain Adaptor: AJ06

External Diameter: 15 [mm] (0.6")

Effective Length: 58, 13 [mm] (2.8", 0.51")

Internal Diameter: 6.5 [mm] (0.256")

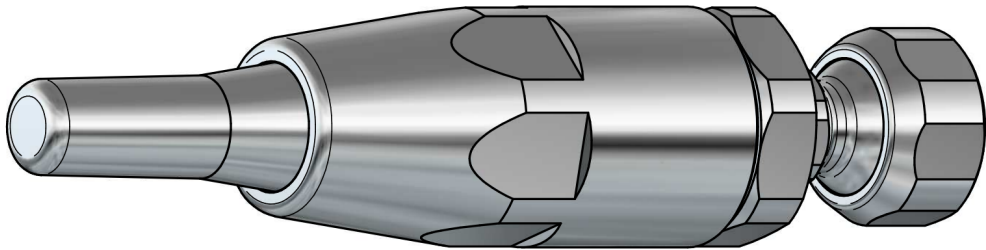
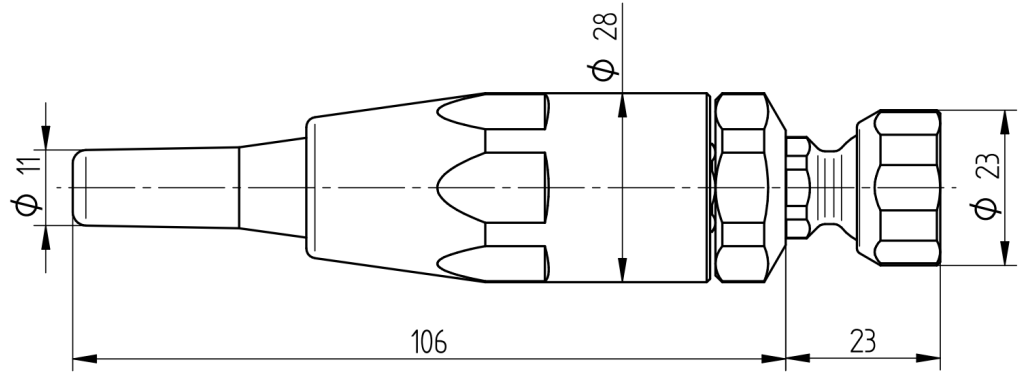
Rear Thread: G1/8

Tooling: SW 13

Material: Austenitic Stainless Steel / NBR (Buna-N)

Temperature Range: -30°C to 120°C (-20°F to 250°F)

# JS06



## S06 Adjustable Jet

SmarTec Line: S06

External Diameter: 28 [mm] (1.1")

Effective Length: 129 [mm] (5")

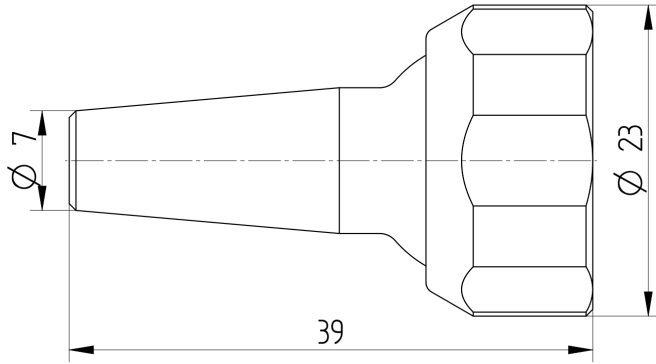
Internal Diameter: 6.5 [mm] (0.256")

Tooling: SW 22

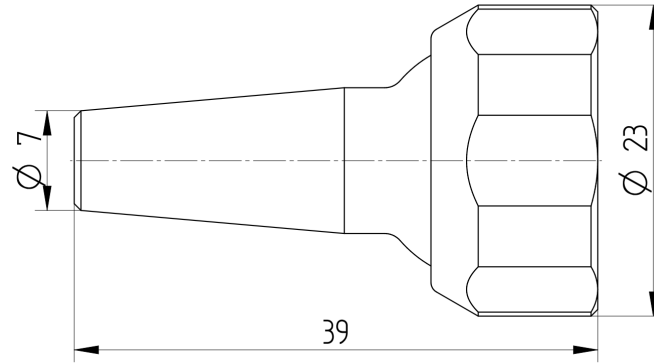
Material: Austenitic Stainless Steel / NBR (Buna-N)

Temperature Range: -30°C to 120°C (-20°F to 250°F)

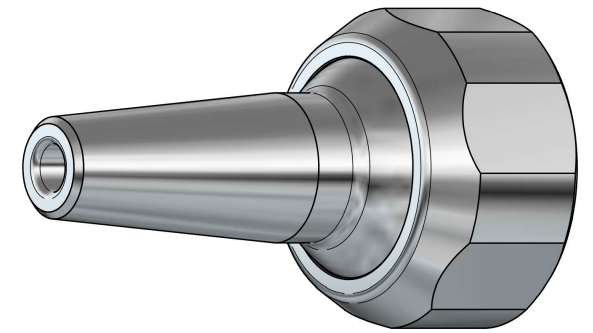
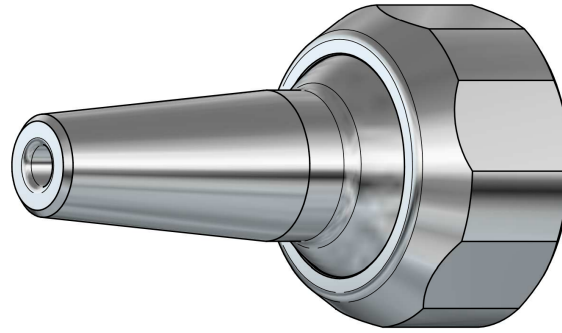
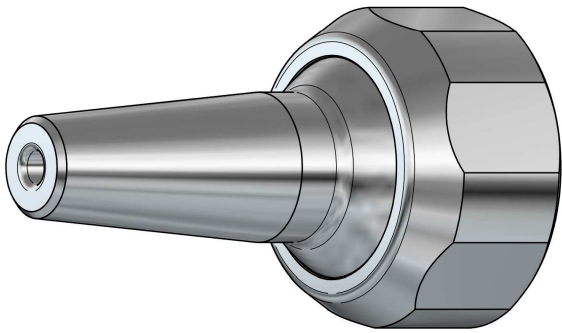
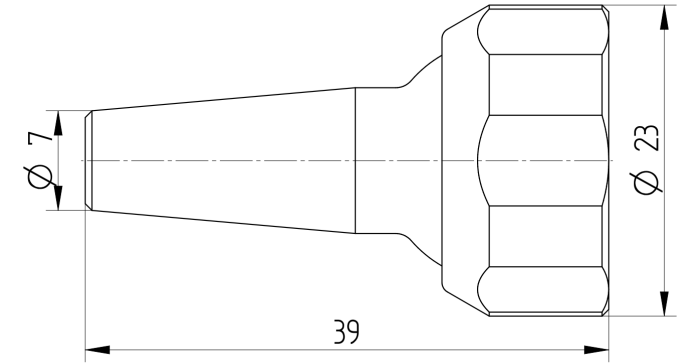
## JH06-D25



## JH06-D30



## JH06-D35



### S06 Chain Jet Basic 2.5 mm

SmarTec Line: S06  
External Diameter: 23 [mm] (0.9")  
Effective Length: 39 [mm] (1.54")  
Jet Diameter: 2.5 [mm] (0.1")  
Tooling: SW 22  
Material: Austenitic Stainless Steel / NBR (Buna-N)  
Temperature Range: -30°C to 120°C (-20°F to 250°F)

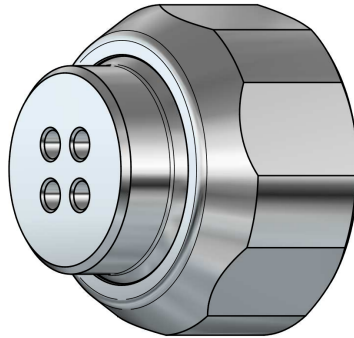
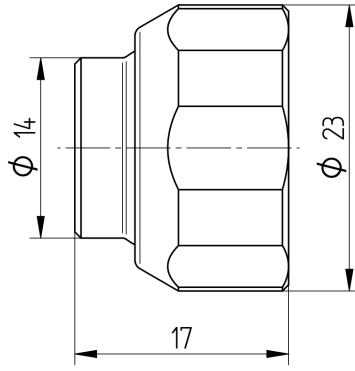
### S06 Chain Jet Basic 3 mm

SmarTec Line: S06  
External Diameter: 23 [mm] (0.9")  
Effective Length: 39 [mm] (1.54")  
Jet Diameter: 3 [mm] (0.12")  
Tooling: SW 22  
Material: Austenitic Stainless Steel / NBR (Buna-N)  
Temperature Range: -30°C to 120°C (-20°F to 250°F)

### S06 Chain Jet Basic 3.5 mm

SmarTec Line: S06  
External Diameter: 23 [mm] (0.9")  
Effective Length: 39 [mm] (1.54")  
Jet Diameter: 3.5 [mm] (0.14")  
Tooling: SW 22  
Material: Austenitic Stainless Steel / NBR (Buna-N)  
Temperature Range: -30°C to 120°C (-20°F to 250°F)

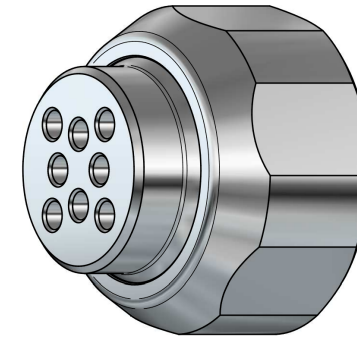
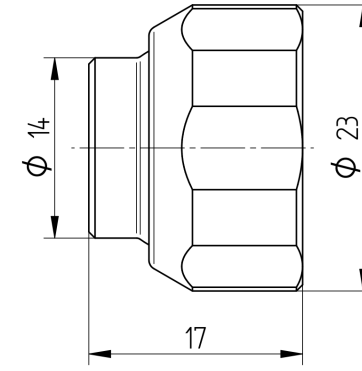
## JM06-A04



### S06 Chain Jet Basic 4 Jets

SmarTec Line: S06  
External Diameter: 23 [mm] (0.9")  
Effective Length: 17 [mm] (0.67")  
Jet Diameter: 2 [mm] (0.08")  
Number of Jets: 4  
Tooling: SW 22  
Material: Austenitic Stainless Steel / NBR (Buna-N)  
Temperature Range: -30°C to 120°C (-20°F to 250°F)

## JM06-A08

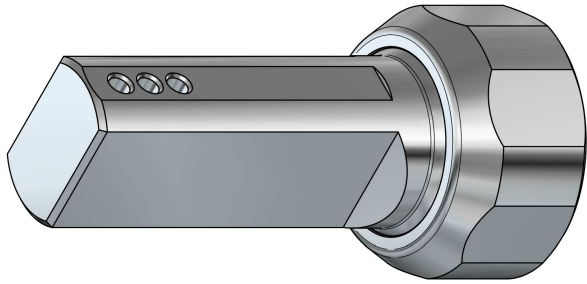
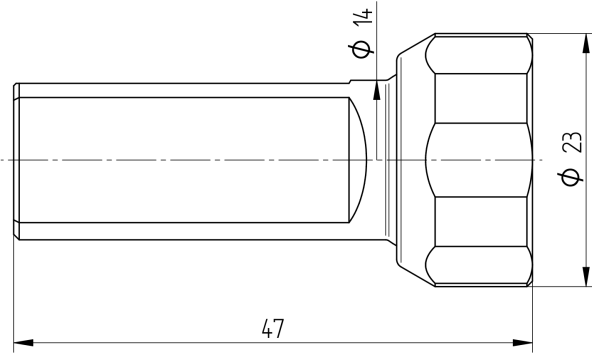


### S06 Chain Jet Basic 8 Jets

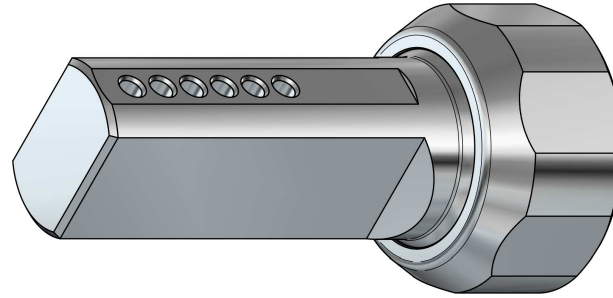
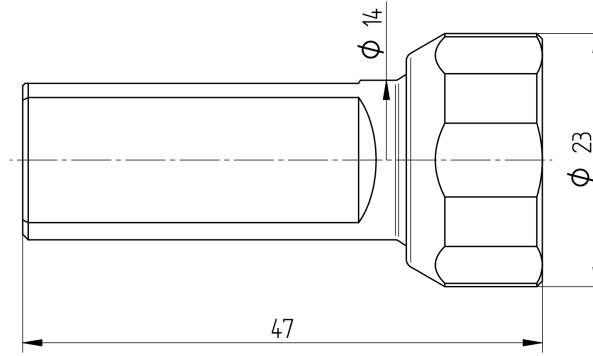
SmarTec Line: S06  
External Diameter: 23 [mm] (0.9")  
Effective Length: 17 [mm] (0.67")  
Jet Diameter: 2 [mm] (0.08")  
Number of Jets: 8  
Tooling: SW 22  
Material: Austenitic Stainless Steel / NBR (Buna-N)  
Temperature Range: -30°C to 120°C (-20°F to 250°F)



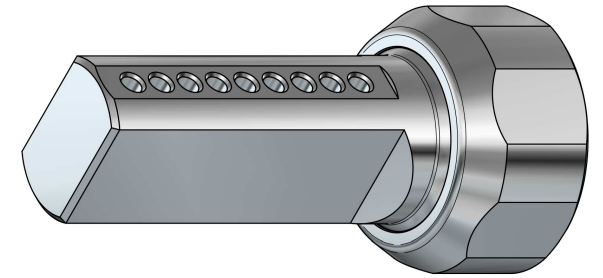
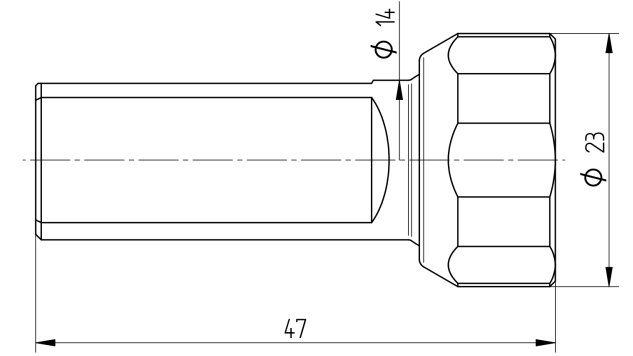
## JM06-P03



## JM06-P06



## JM06-P09



### S06 Chain Jet Extended 90° 3 Jets

SmarTec Line: S06  
Angle: 90 °  
External Diameter: 23 [mm] (0.9")  
Effective Length: 47 [mm] (1.85")  
Jet Diameter: 2 [mm] (0.08")  
Number of Jets: 3  
Tooling: SW 22  
Material: Austenitic Stainless Steel / NBR (Buna-N)  
Temperature Range: -30°C to 120°C (-20°F to 250°F)

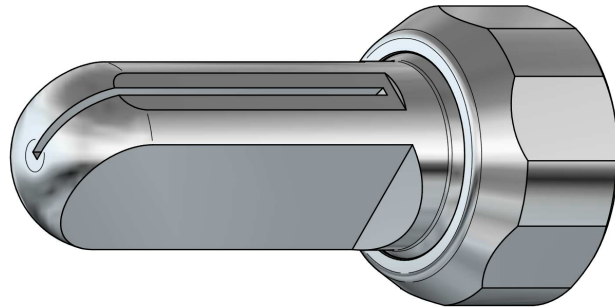
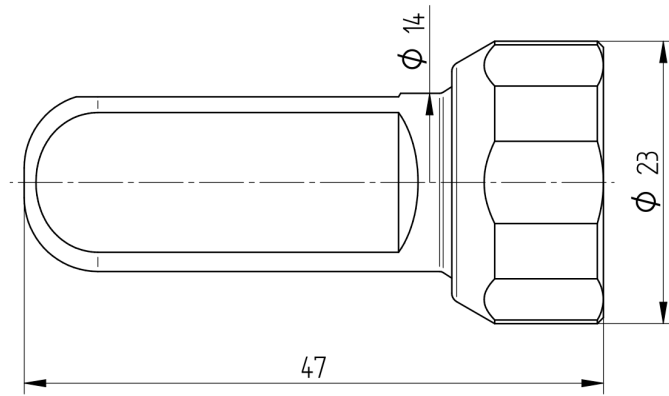
### S06 Chain Jet Extended 90° 6 Jets

SmarTec Line: S06  
Angle: 90 °  
External Diameter: 23 [mm] (0.9")  
Effective Length: 47 [mm] (1.85")  
Jet Diameter: 2 [mm] (0.08")  
Number of Jets: 6  
Tooling: SW 22  
Material: Austenitic Stainless Steel / NBR (Buna-N)  
Temperature Range: -30°C to 120°C (-20°F to 250°F)

### S06 Chain Jet Extended 90° 9 Jets

SmarTec Line: S06  
Angle: 90 °  
External Diameter: 23 [mm] (0.9")  
Effective Length: 47 [mm] (1.85")  
Jet Diameter: 2 [mm] (0.08")  
Number of Jets: 9  
Tooling: SW 22  
Material: Austenitic Stainless Steel / NBR (Buna-N)  
Temperature Range: -30°C to 120°C (-20°F to 250°F)

# JM06-S30



## S06 Chain Slot-Jet

SmarTec Line: S06

Slot Length: 30 [mm] (1.18")

Slot Thickness: 0.8 [mm] (0.03")

External Diameter: 23 [mm] (0.9")

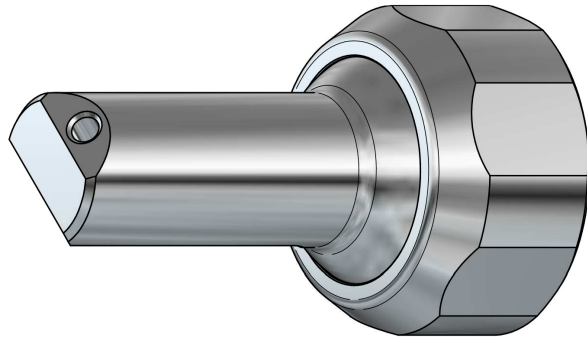
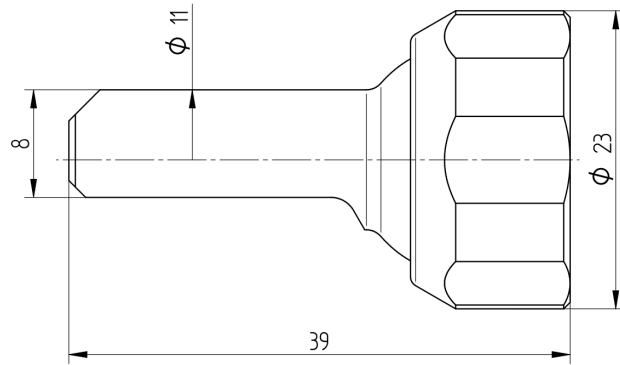
Effective Length: 47 [mm] (1.85")

Tooling: SW 22

Material: Austenitic Stainless Steel / NBR (Buna-N)

Temperature Range: -30°C to 120°C (-20°F to 250°F)

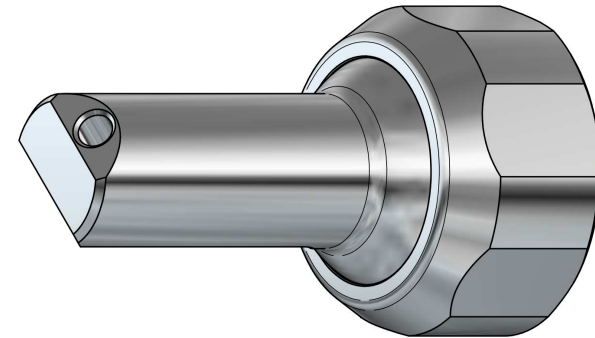
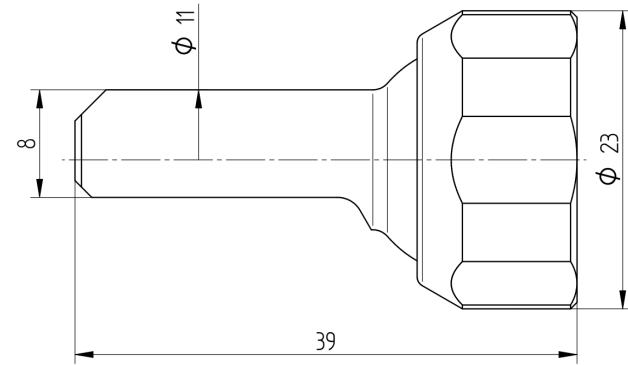
## JF06-D20



### S06 Chain Jet Extended 45° 2 mm

SmarTec Line: S06  
Angle: 45°  
External Diameter: 23 [mm] (0.9")  
Effective Length: 39 [mm] (1.54")  
Jet Diameter: 2 [mm] (0.08")  
Tooling: SW 22  
Material: Austenitic Stainless Steel / NBR (Buna-N)  
Temperature Range: -30°C to 120°C (-20°F to 250°F)

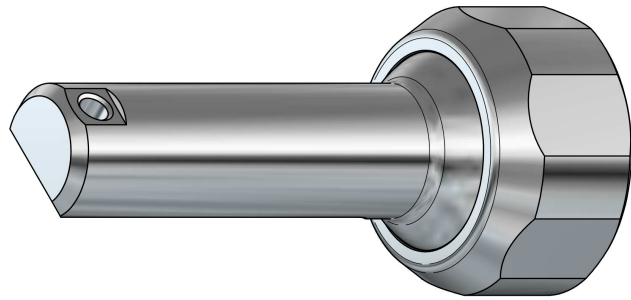
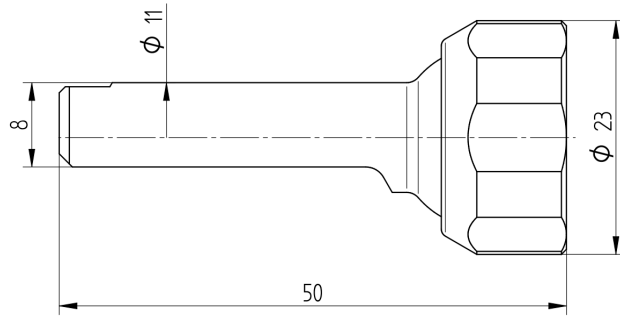
## JF06-D25



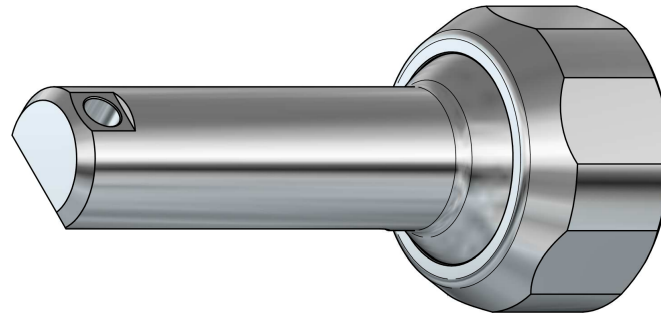
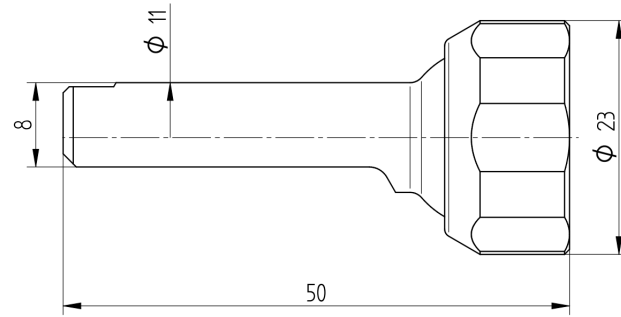
### S06 Chain Jet Extended 45° 2.5 mm

SmarTec Line: S06  
Angle: 45°  
External Diameter: 23 [mm] (0.9")  
Effective Length: 39 [mm] (1.54")  
Jet Diameter: 2.5 [mm] (0.1")  
Tooling: SW 22  
Material: Austenitic Stainless Steel / NBR (Buna-N)  
Temperature Range: -30°C to 120°C (-20°F to 250°F)

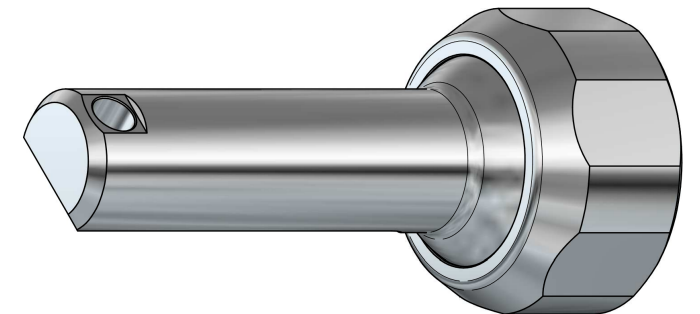
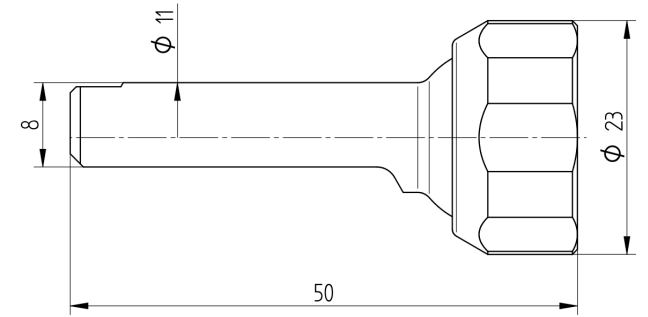
## JP06-D25



## JP06-D30



## JP06-D35



### S06 Chain Jet Extended 90° 2.5 mm

SmarTec Line: S06  
Angle: 90°  
External Diameter: 23 [mm] (0.9")  
Effective Length: 50 [mm] (1.97")  
Jet Diameter: 2.5 [mm] (0.1")  
Tooling: SW 22  
Material: Austenitic Stainless Steel / NBR (Buna-N)  
Temperature Range: -30°C to 120°C (-20°F to 250°F)

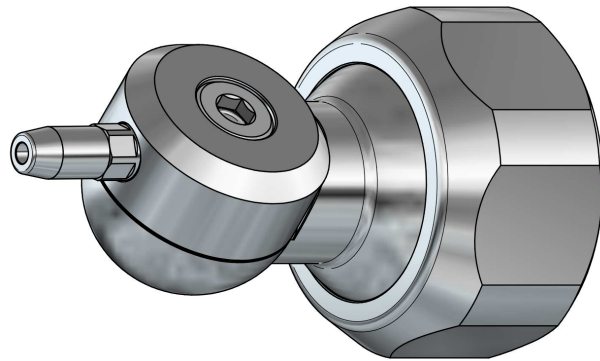
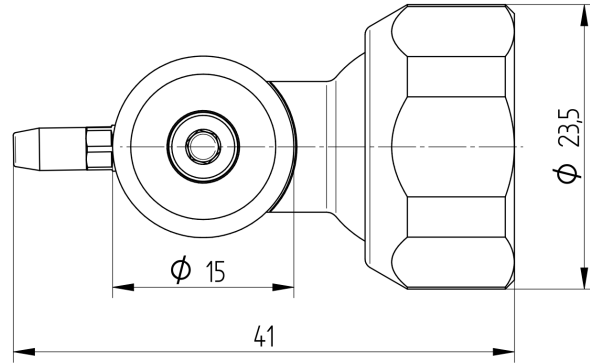
### S06 Chain Jet Extended 90° 3 mm

SmarTec Line: S06  
Angle: 90°  
External Diameter: 23 [mm] (0.9")  
Effective Length: 50 [mm] (1.97")  
Jet Diameter: 3 [mm] (0.12")  
Tooling: SW 22  
Material: Austenitic Stainless Steel / NBR (Buna-N)  
Temperature Range: -30°C to 120°C (-20°F to 250°F)

### S06 Chain Jet Extended 90° 3.5 mm

SmarTec Line: S06  
Angle: 90°  
External Diameter: 23 [mm] (0.9")  
Effective Length: 50 [mm] (1.97")  
Jet Diameter: 3.5 [mm] (0.14")  
Tooling: SW 22  
Material: Austenitic Stainless Steel / NBR (Buna-N)  
Temperature Range: -30°C to 120°C (-20°F to 250°F)

## JV06-D14



### S06 Chain Jet Variable 1.4 mm

SmarTec Line: S06

Angle: Variable

External Diameter: 23.5 [mm] (0.925")

Effective Length: 41 [mm] (1.614")

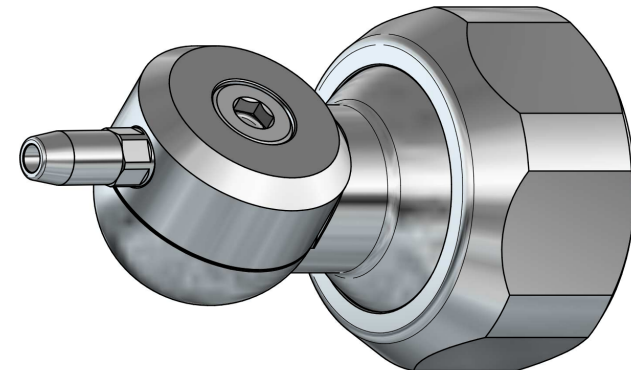
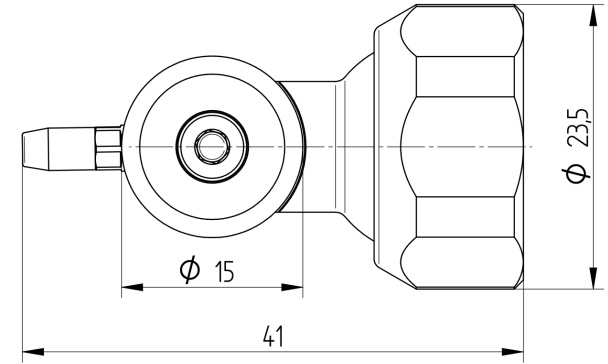
Jet Diameter: 1.4 [mm] (0.024")

Tooling: SW 22

Material: Austenitic Stainless Steel / NBR (Buna-N)

Temperature Range: -30°C to 120°C (-20°F to 250°F)

## JV06-D18



### S06 Chain Jet Variable 1.8 mm

SmarTec Line: S06

Angle: Variable

External Diameter: 23.5 [mm] (0.925")

Effective Length: 41 [mm] (1.614")

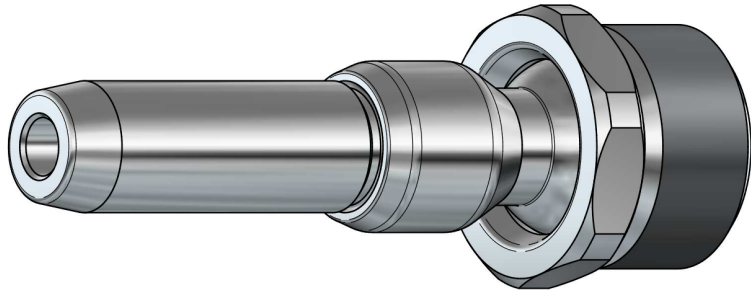
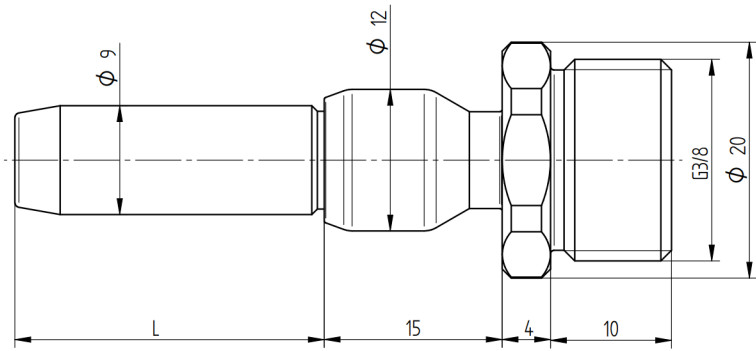
Jet Diameter: 1.8 [mm] (0.047")

Tooling: SW 22

Material: Austenitic Stainless Steel / NBR (Buna-N)

Temperature Range: -30°C to 120°C (-20°F to 250°F)

# JB06



Cat No.	L	D
JB06-S20	15	2.0
JB06-S40	15	4.0
JB06-S60	15	6.0
JB06-M20	30	2.0
JB06-M40	30	4.0
JB06-M60	30	6.0
JB06-L20	60	2.0
JB06-L40	60	4.0
JB06-L60	60	6.0

## S06 Block Jet Straight Modular

SmarTec Line: S06

External Diameter: 20 [mm] (0.79")

Effective Length: 34, 49, 79 [mm] (1.34", 1.93", 3.1")

Jet Diameter: 2, 4, 6 [mm] (0.08", 0.16", 0.24")

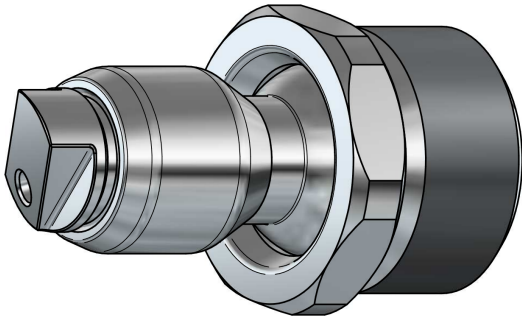
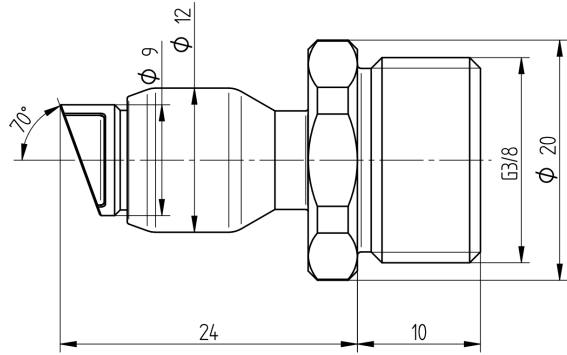
Tooling: SW 18

Thread: G3/8

Material: Austenitic Stainless Steel / NBR (Buna-N)

Temperature Range: -30°C to 120°C (-20°F to 250°F)

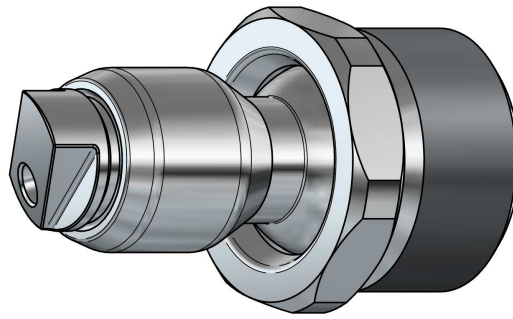
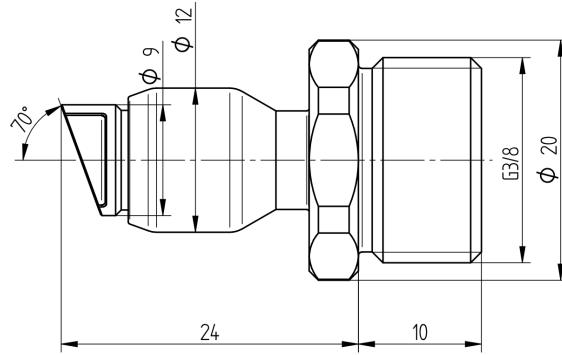
## JB06-V20



### S06 Block Jet 0° to 40° 2 mm

SmarTec Line: S06  
External Diameter: 20 [mm] (0.79")  
Effective Length: 24 [mm] (0.94)  
Jet Diameter: 2 [mm] (0.08")  
Max Horizontal Angle: 40°  
Min Horizontal Angle: 0°  
Tooling: SW 18  
Thread: G3/8  
Material: Austenitic Stainless Steel / NBR (Buna-N)  
Temperature Range: -30°C to 120°C (-20°F to 250°F)

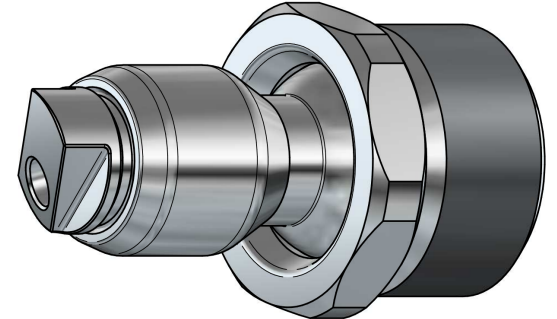
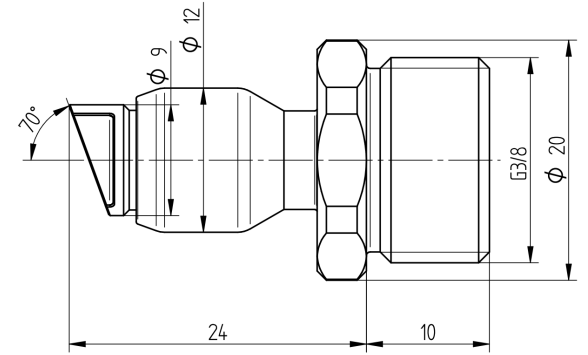
## JB06-V25



### S06 Block Jet 0° to 40° 2.5 mm

SmarTec Line: S06  
External Diameter: 20 [mm] (0.79")  
Effective Length: 24 [mm] (0.94)  
Jet Diameter: 2.5 [mm] (0.1")  
Max Horizontal Angle: 40°  
Min Horizontal Angle: 0°  
Tooling: SW 18  
Thread: G3/8  
Material: Austenitic Stainless Steel / NBR (Buna-N)  
Temperature Range: -30°C to 120°C (-20°F to 250°F)

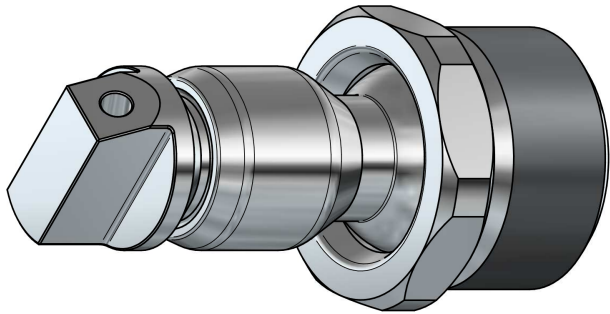
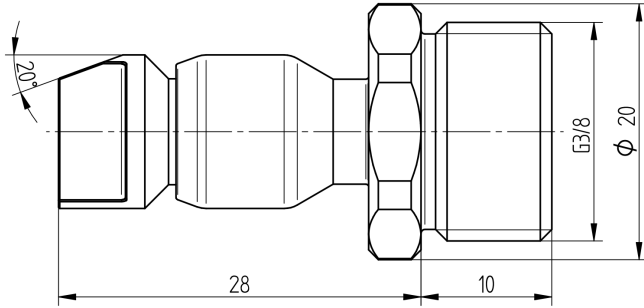
## JB06-V30



### S06 Block Jet 0° to 40° 3 mm

SmarTec Line: S06  
External Diameter: 20 [mm] (0.79")  
Effective Length: 24 [mm] (0.94)  
Jet Diameter: 3 [mm] (0.12")  
Max Horizontal Angle: 40°  
Min Horizontal Angle: 0°  
Tooling: SW 18  
Thread: G3/8  
Material: Austenitic Stainless Steel / NBR (Buna-N)  
Temperature Range: -30°C to 120°C (-20°F to 250°F)

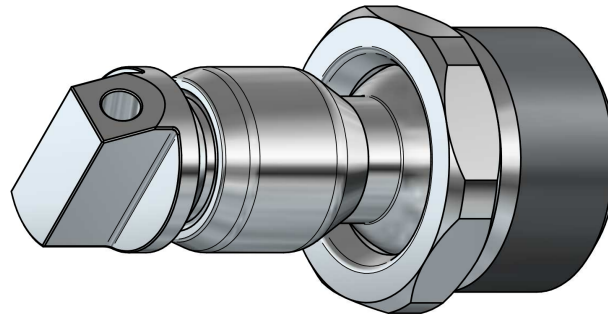
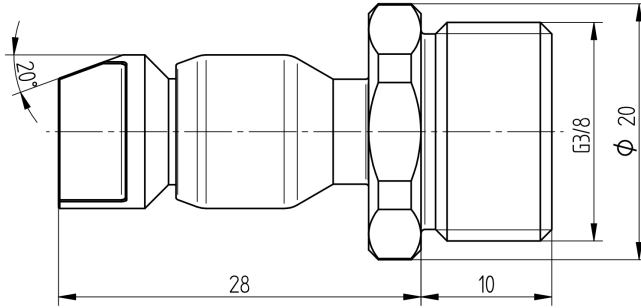
## JB06-W20



### S06 Block Jet 50° to 90° 2 mm

SmarTec Line: S06  
External Diameter: 20 [mm] (0.79")  
Effective Length: 28 [mm] (1.1")  
Jet Diameter: 2 [mm] (0.08")  
Max Horizontal Angle: 90°  
Min Horizontal Angle: 50°  
Tooling: SW 18  
Thread: G3/8  
Material: Austenitic Stainless Steel / NBR (Buna-N)  
Temperature Range: -30°C to 120°C (-20°F to 250°F)

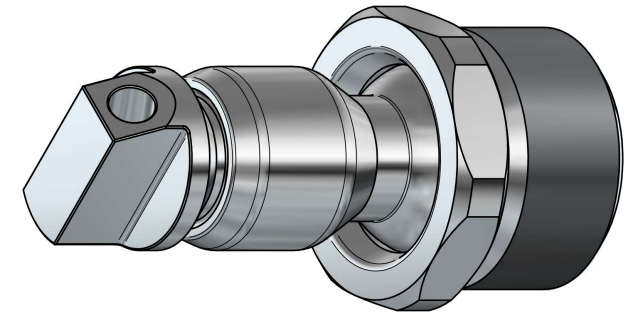
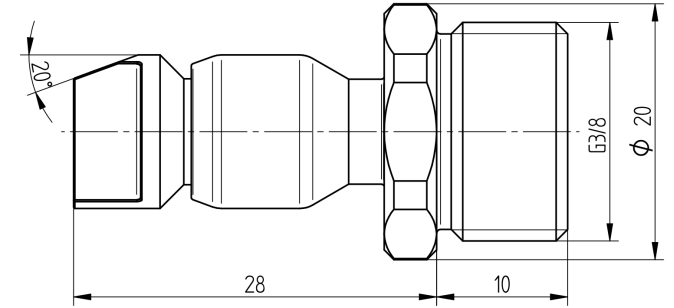
## JB06-W25



### S06 Block Jet 50° to 90° 2.5 mm

SmarTec Line: S06  
External Diameter: 20 [mm] (0.79")  
Effective Length: 28 [mm] (1.1")  
Jet Diameter: 2.5 [mm] (0.1")  
Max Horizontal Angle: 90°  
Min Horizontal Angle: 50°  
Tooling: SW 18  
Thread: G3/8  
Material: Austenitic Stainless Steel / NBR (Buna-N)  
Temperature Range: -30°C to 120°C (-20°F to 250°F)

## JB06-W30

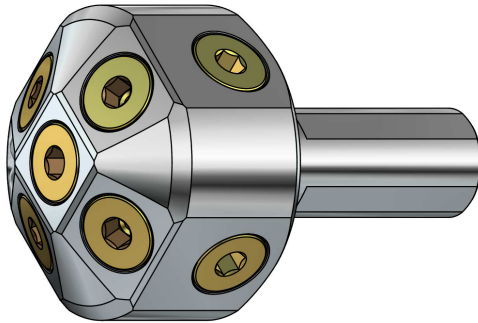
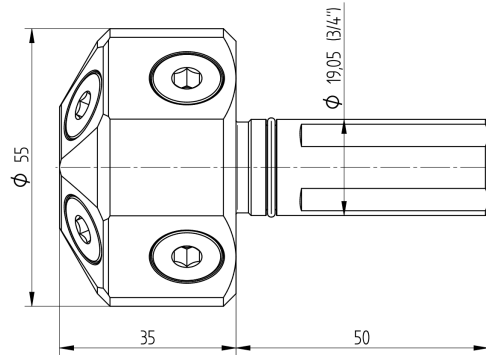


### S06 Block Jet 50° to 90° 3 mm

SmarTec Line: S06  
External Diameter: 20 [mm] (0.79")  
Effective Length: 28 [mm] (1.1")  
Jet Diameter: 3 [mm] (0.12")  
Max Horizontal Angle: 90°  
Min Horizontal Angle: 50°  
Tooling: SW 18  
Thread: G3/8  
Material: Austenitic Stainless Steel / NBR (Buna-N)  
Temperature Range: -30°C to 120°C (-20°F to 250°F)



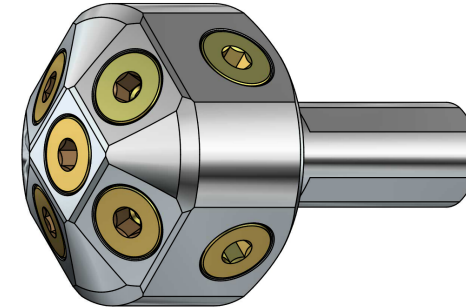
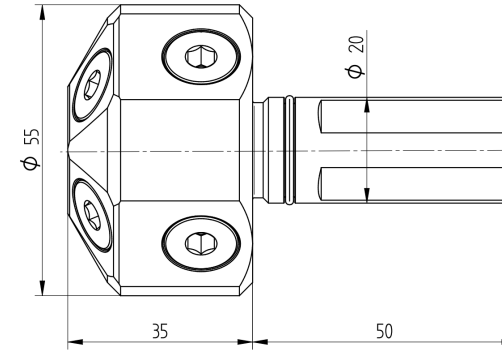
## JR06-IN



## S06 Machine Cleaning Jet Imperial

SmarTec Line: S06  
External Diameter: 55 [mm] (2.165")  
Clamping Diameter: 19.05 [mm] (0.75")  
Clamping Length: 50 [mm] (1.97")  
Effective Length: 35 [mm] (1.38")  
Internal Diameter: 6.5 [mm] (0.256")  
Flats: 18  
Thread: G1/4  
Material: Austenitic Stainless Steel / NBR / Brass  
Temperature Range: -30°C to 120°C (-20°F to 250°F)

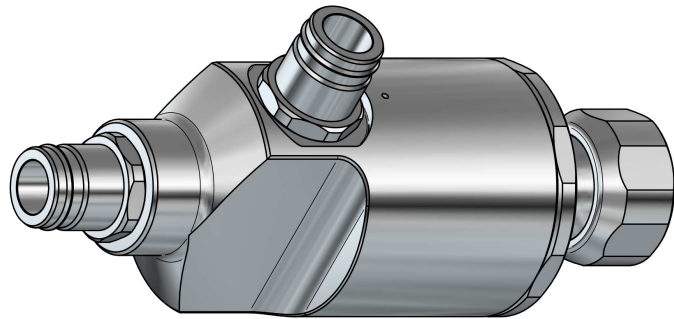
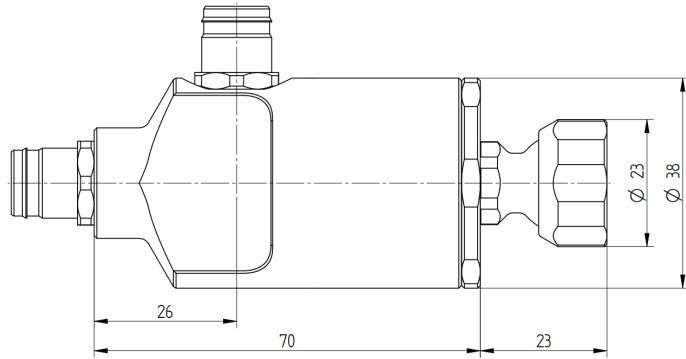
## JR06-ME



## S06 Machine Cleaning Jet Metric

SmarTec Line: S06  
External Diameter: 55 [mm] (2.165")  
Clamping Diameter: 20 [mm] (0.79")  
Clamping Length: 50 [mm] (1.97")  
Effective Length: 35 [mm] (1.38")  
Internal Diameter: 6.5 [mm] (0.256")  
Flats: 18  
Thread: G1/4  
Material: Austenitic Stainless Steel / NBR / Brass  
Temperature Range: -30°C to 120°C (-20°F to 250°F)

# VL00



## Mechanical Valve

SmarTec Line: S06

External Diameter: 38 [mm] (1.5")

Effective Length: 81 [mm] (3.2")

Internal Diameter: 6.5 [mm] (0.256")

Air Fittings connection: G1/4

Tooling: SW 22

Material: Austenitic Stainless Steel / NBR (Buna-N)

Temperature Range: -30°C to 120°C (-20°F to 250°F)

<b>KIT 06</b>			
<b>No.</b>	<b>Product Code</b>	<b>Product Description</b>	<b>Quantity</b>
1	AM06-R125	Machine adaptor R1/8	1
2	AM06-R250	Machine adaptor R1/4	1
3	AM06-R375	Machine adaptor R3/8	1
4	CH06-AS	Chain unit straight S	6
5	CH06-FS	Chain unit 45* S	1
6	CH06-PS	Chain unit 90* S	1
7	CH06-MZ	Aeroforce™ 06	1
8	JH06-D25	Chain jet basic 2.5 mm	1
9	JH06-D30	Chain jet basic 3 mm	1
10	JH06-D35	Chain jet basic 3.5 mm	1
11	VL00	Mechanical valve	1
12	EX-PCV08	Pneumatic check valve for A tube 08	1
13	EX-PAR08	Pneumatic air regulator for A tube 08	1
14	EQ06-FK80	S06 Flat key short	1

Lines 1, 2 and 3 may be ordered with:

<b>No.</b>	<b>Product Code</b>	<b>Product Description</b>	<b>Quantity</b>
1	AM06-G125	Machine adaptor G1/8	1
2	AM06-G250	Machine adaptor G1/4	1
3	AM06-G375	Machine adaptor G3/8	1