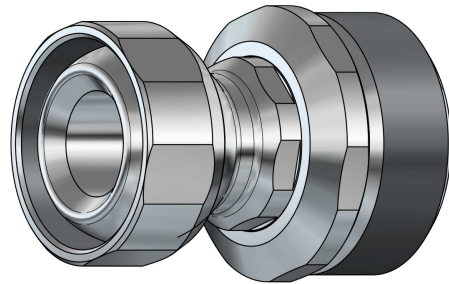
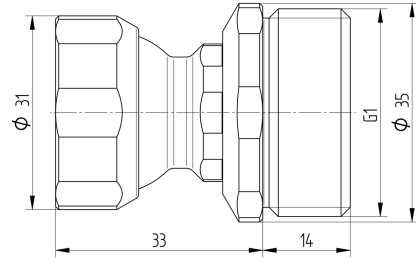


SMARTEC

Contact: marketing@smartec-tools.com

Series 12

AJ12



S12 Jet Adaptor G1

SmarTec Line: S12

Connect to: JD12

External Diameter: 35 [mm] (1.37")

Effective Length: 33 [mm] (1.3")

Internal Diameter: 13.5 [mm] (0.55")

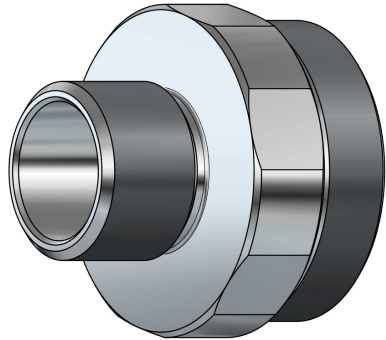
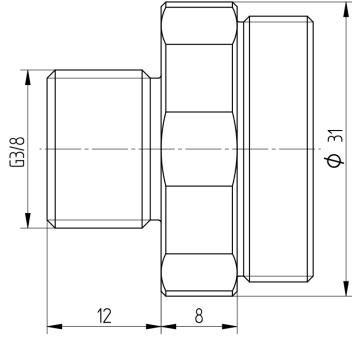
Front Thread: G1

Tooling: SW 34, SW 30

Material: Austenitic Stainless Steel / NBR (Buna-N)

Temperature Range: -30°C to 120°C (-20°F to 250°F)

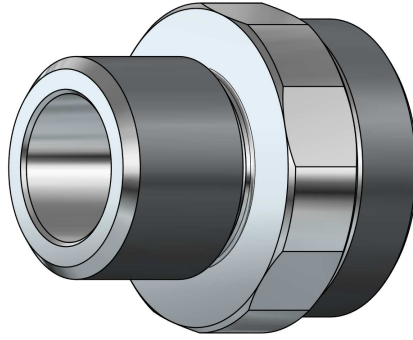
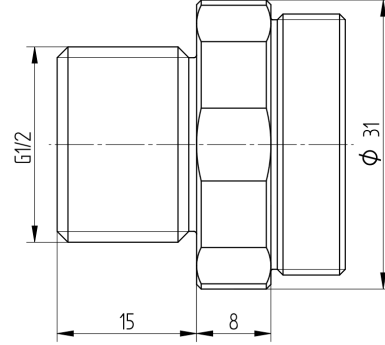
AM12-G375



S12 Machine Adaptor G3/8

SmarTec Line: S12
External Diameter: 31 [mm] (1.22")
Effective Length: 8 [mm] (0.3")
Internal Diameter: 13.5 [mm] (0.53")
Tooling: SW 30
Thread: G3/8
Material: Austenitic Stainless Steel
Temperature Range: -30°C to 120°C (-20°F to 250°F)

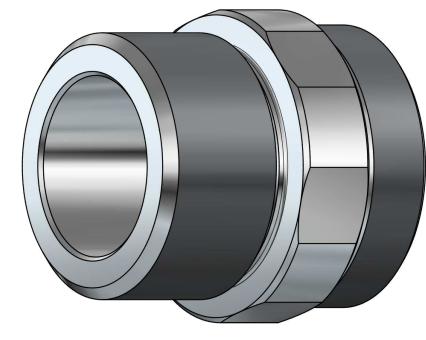
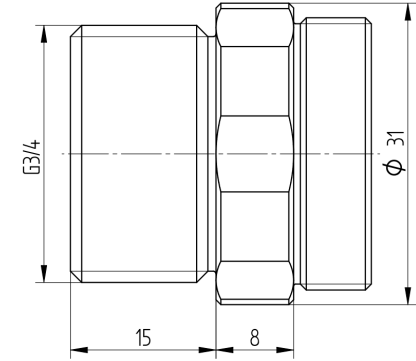
AM12-G500



S12 Machine Adaptor G1/2

SmarTec Line: S12
External Diameter: 31 [mm] (1.22")
Effective Length: 8 [mm] (0.3")
Internal Diameter: 13.5 [mm] (0.53")
Tooling: SW 30
Thread: G1/2
Material: Austenitic Stainless Steel
Temperature Range: -30°C to 120°C (-20°F to 250°F)

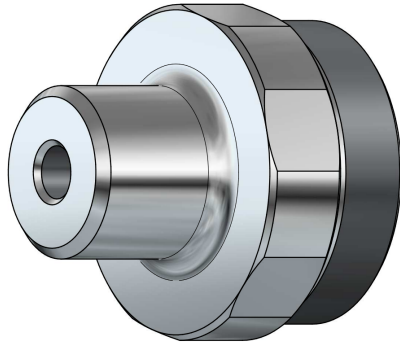
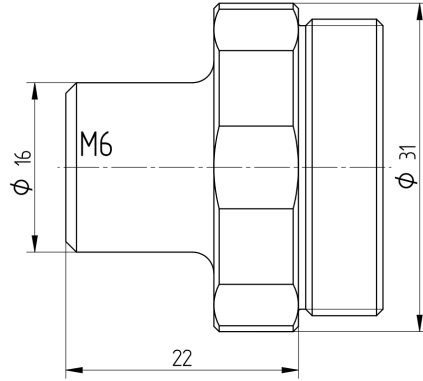
AM12-G750



S12 Machine Adaptor G3/4

SmarTec Line: S12
External Diameter: 31 [mm] (1.22")
Effective Length: 8 [mm] (0.3")
Internal Diameter: 13.5 [mm] (0.53")
Tooling: SW 30
Thread: G3/4
Material: Austenitic Stainless Steel
Temperature Range: -30°C to 120°C (-20°F to 250°F)

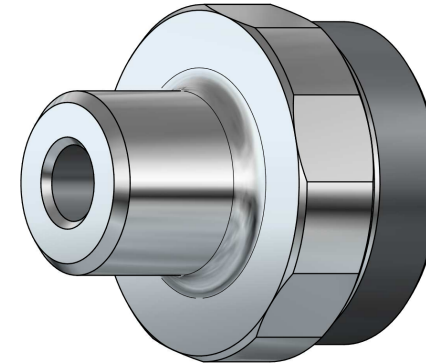
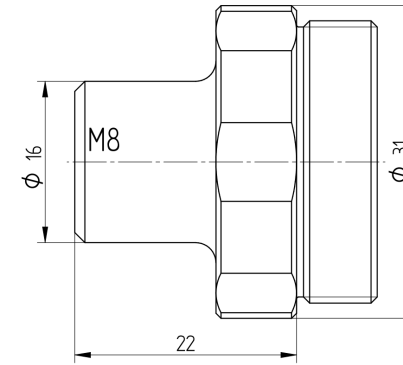
AP12-M6



S12 Plug Adaptor M6

SmarTec Line: S12
Connecting peripheral equipment to magnetic Base
External Diameter: 31 [mm] (1.22")
Effective Length: 22 [mm] (0.866")
Tooling: SW 30
Internal Thread: M6
Thread Length: 10 mm (0.39")
Material: Austenitic Stainless Steel
Temperature Range: -30°C to 120°C (-20°F to 250°F)

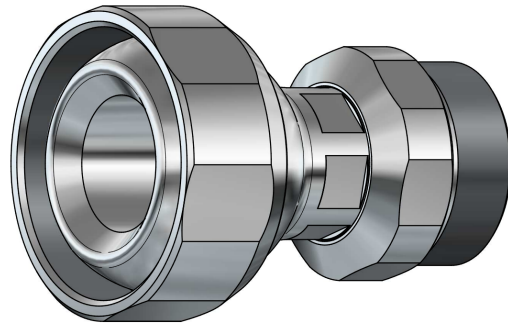
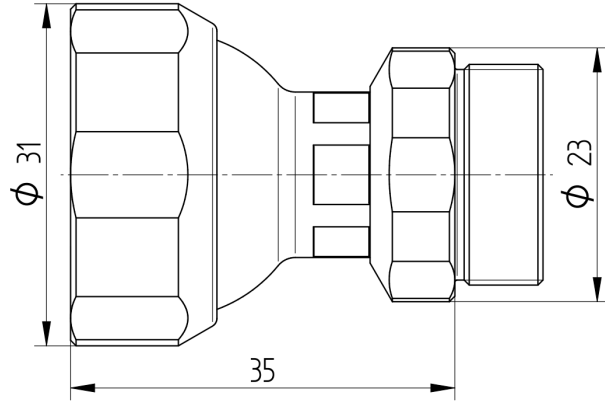
AP12-M8



S12 Plug Adaptor M8

SmarTec Line: S12
Connecting peripheral equipment to magnetic Base
External Diameter: 31 [mm] (1.22")
Effective Length: 22 [mm] (0.866")
Tooling: SW 30
Internal Thread: M8
Thread Length: 10 mm (0.39")
Material: Austenitic Stainless Steel
Temperature Range: -30°C to 120°C (-20°F to 250°F)

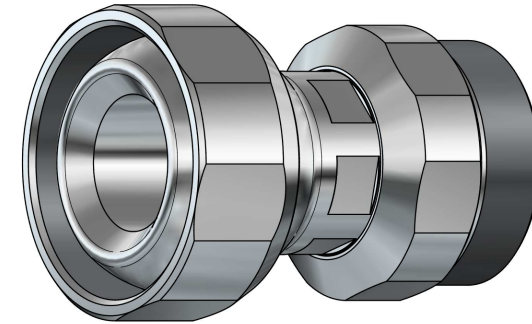
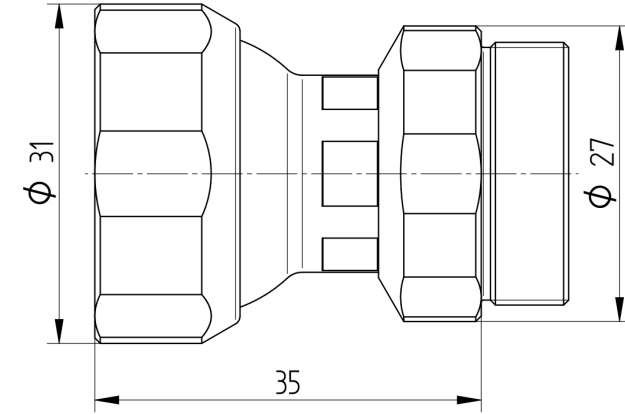
AS12-TS06



S12 to S06 Series Adaptor

SmarTec Line: S12
Base Line: S12
Secondary Line: S06
External Diameter: 31 [mm] (1.22")
Effective Length: 35 [mm] (1.38")
Internal Diameter: 6.5 [mm] (0.256")
Tooling: SW 30, SW22
Material: Austenitic Stainless Steel / NBR (Buna-N)
Temperature Range: -30°C to 120°C (-20°F to 250°F)

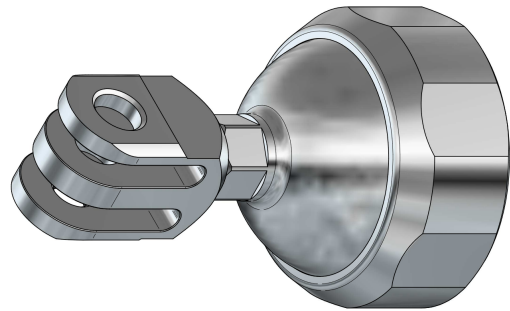
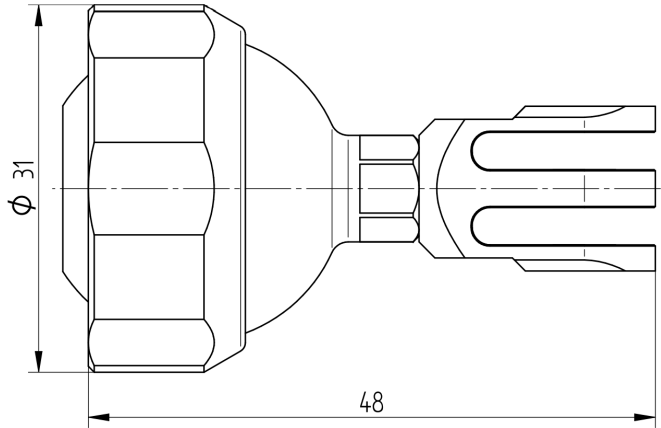
AS12-TS09



S12 to S09 Series Adaptor

SmarTec Line: S12
Base Line: S12
Secondary Line: S09
External Diameter: 31 [mm] (1.22")
Effective Length: 35 [mm] (1.38")
Internal Diameter: 6.5 [mm] (0.256")
Tooling: SW 30, SW26
Material: Austenitic Stainless Steel / NBR (Buna-N)
Temperature Range: -30°C to 120°C (-20°F to 250°F)

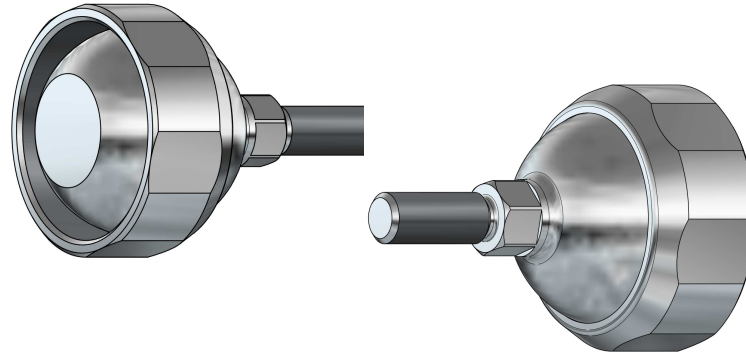
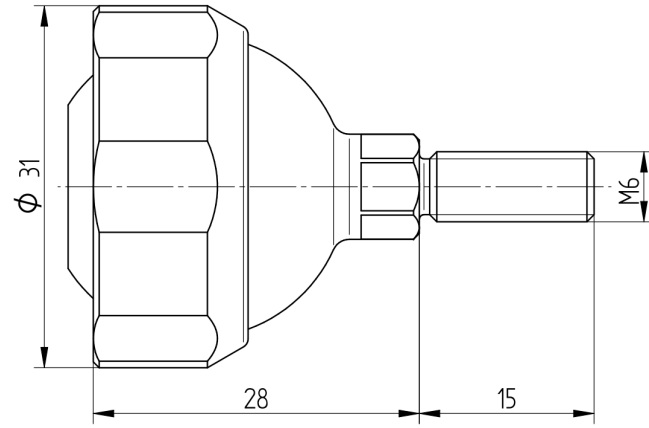
PC12-GP



S12 Chain Plug Go-Pro Connector

SmarTec Line: S12
Go-Pro Connection
External Diameter: 31 [mm] (1.22")
Effective Length: 45 [mm] (1.89")
Thread: M5
Tooling: SW 30
Material: Austenitic Stainless Steel / NBR (Buna-N)
Temperature Range: -30°C to 120°C (-20°F to 250°F)

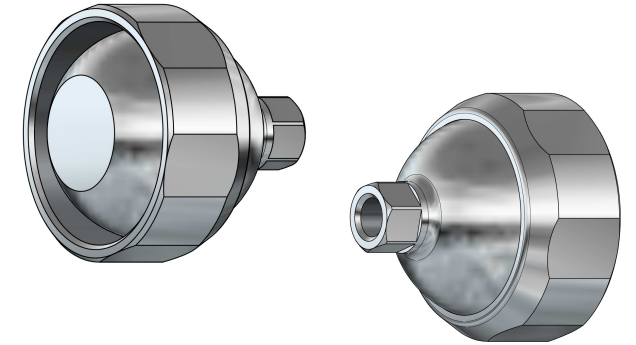
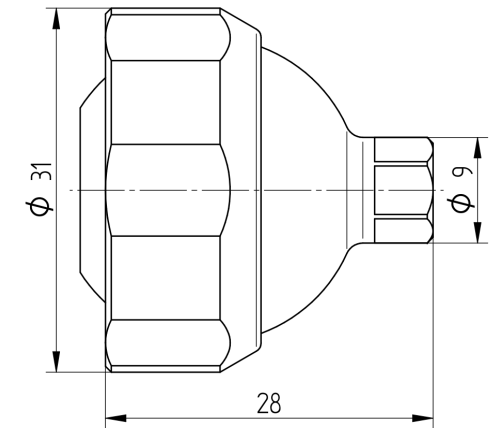
PC12-M6M



S12 Chain Plug M6 Male

SmarTec Line: S12
General Connection
External Diameter: 31 [mm] (1.2")
Effective Length: 28 [mm] (1.1")
External Thread Length: 15 [mm] (0.4")
Tooling: SW 26, SW 8
Material: Austenitic Stainless Steel / NBR (Buna-N)
Temperature Range: -30°C to 120°C (-20°F to 250°F)

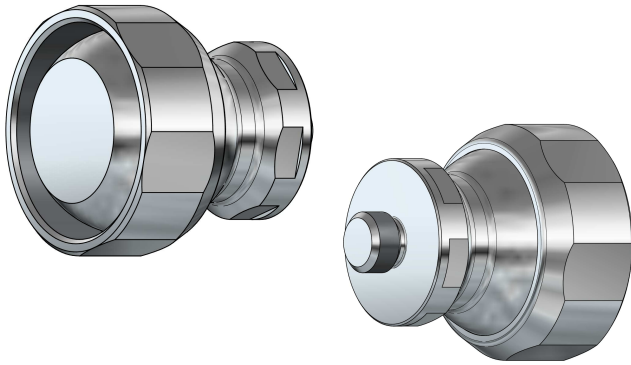
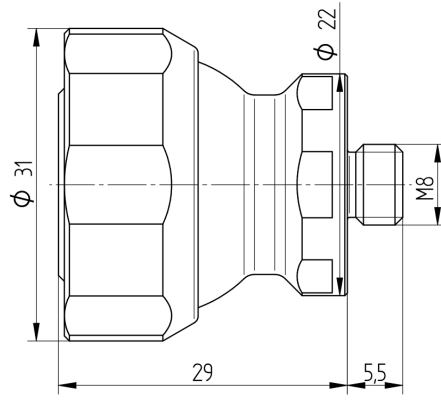
PC12-M6F



S12 Chain Plug M6 Female

SmarTec Line: S12
General Connection
External Diameter: 31 [mm] (1.2")
Effective Length: 28 [mm] (1.1")
Internal Thread Length: 15 [mm] (0.4")
Tooling: SW 26, SW 8
Material: Austenitic Stainless Steel / NBR (Buna-N)
Temperature Range: -30°C to 120°C (-20°F to 250°F)

PE12-M8



S12 Chain Plug External M8

SmarTec Line: S12

Connection to Magnetic Base

External Diameter: 31 [mm] (1.2")

Effective Length: 29 [mm] (1.14")

External Thread: M8 P1.25

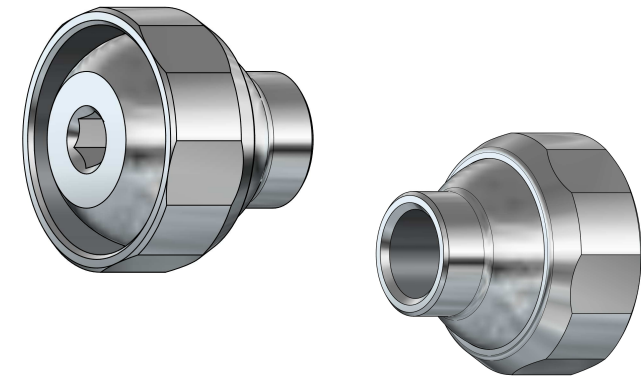
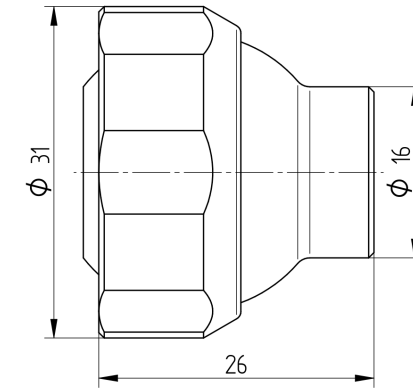
Thread Length: 5.5 [mm] (0.22")

Tooling: SW 30, SW 21

Material: Austenitic Stainless Steel / NBR (Buna-N)

Temperature Range: -30°C to 120°C (-20°F to 250°F)

PG12-G250



S12 Chain Plug Internal G1/4

SmarTec Line: S12

Connection to Pressure Gage

External Diameter: 31 [mm] (1.2")

Effective Length: 26 [mm] (1.02")

Internal Thread: G1/4

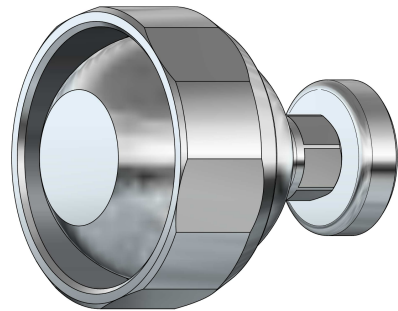
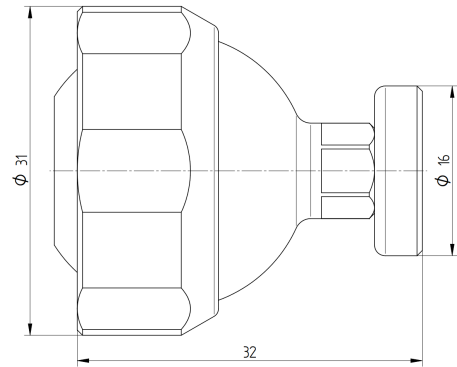
Thread Length: 18 [mm] (0.7")

Tooling: SW 26, Allen Key 6 [mm]

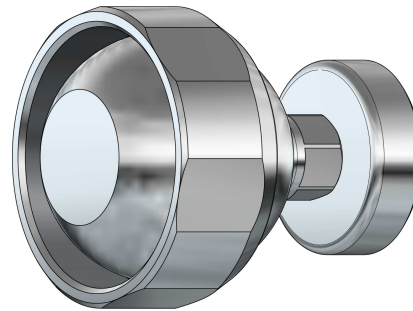
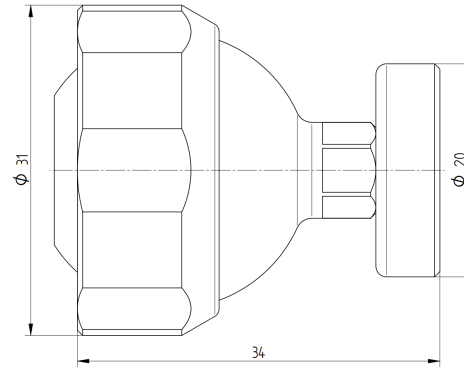
Material: Austenitic Stainless Steel / NBR (Buna-N)

Temperature Range: -30°C to 120°C (-20°F to 250°F)

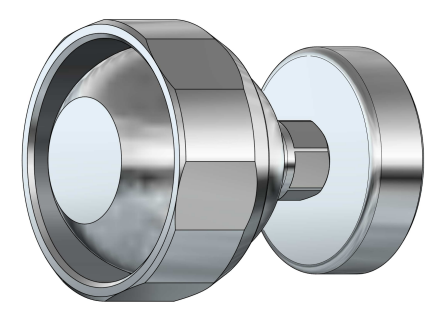
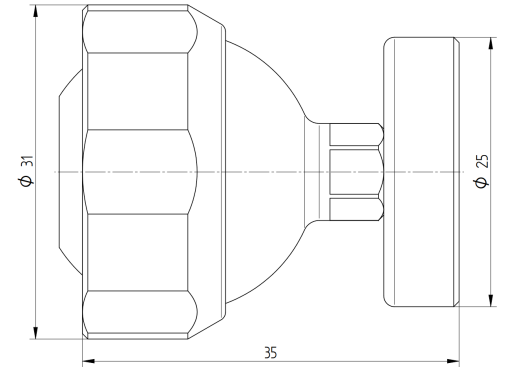
PM12-F10



PM12-F15



PM12-F20



S12 Magnet Connection 10Kg

SmarTec Line: S12
Magnetic Base: approximately 10 Kgf (22 lbf)
Clamping Force: 90 N
External Diameter: 31 [mm] (1.22")
Effective Length: 32 [mm] (1.26")
Magnet Diameter: 16 mm (0.63")
Tooling: SW 30
Material: Austenitic Stainless Steel / NBR (Buna-N)
Magnet Type: Neodymium with Nickel plate
Temperature Range: -30°C to 120°C (-20°F to 250°F)

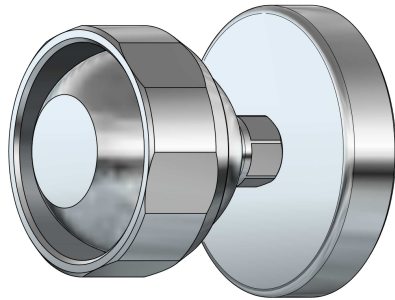
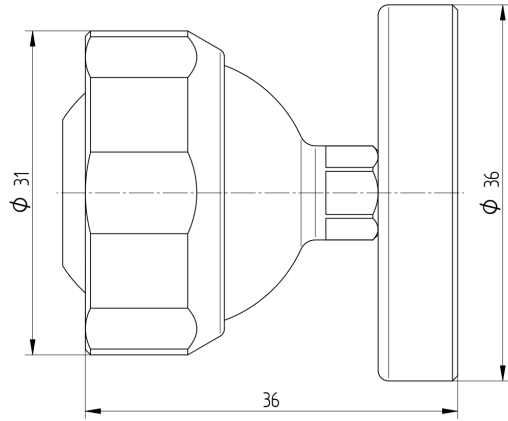
S12 Magnet Connection 15Kg

SmarTec Line: S12
Magnetic Base: approximately 15 Kgf (33 lbf)
Clamping Force: 135 N
External Diameter: 31 [mm] (1.22")
Effective Length: 34 [mm] (1.338")
Magnet Diameter: 20 mm (0.787")
Tooling: SW 30
Material: Austenitic Stainless Steel / NBR (Buna-N)
Magnet Type: Neodymium with Nickel plate
Temperature Range: -30°C to 120°C (-20°F to 250°F)

S12 Magnet Connection 20Kg

SmarTec Line: S12
Magnetic Base: approximately 20 Kgf (44 lbf)
Clamping Force: 195 N
External Diameter: 31 [mm] (1.22")
Effective Length: 35 [mm] (1.378")
Magnet Diameter: 25 mm (0.98")
Tooling: SW 30
Material: Austenitic Stainless Steel / NBR (Buna-N)
Magnet Type: Neodymium with Nickel plate
Temperature Range: -30°C to 120°C (-20°F to 250°F)

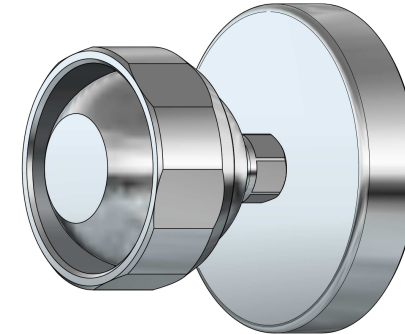
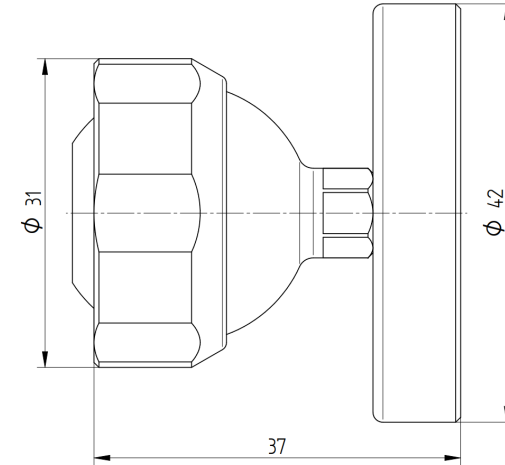
PM12-F40



S12 Magnet Connection 40Kg

SmarTec Line: S12
Magnetic Base approximately 40 Kgf (88 lbf)
Clamping Force: 390 N
External Diameter: 31 [mm] (1.22")
Effective Length: 36 [mm] (1.42")
Magnet Diameter: 36 mm (1.42")
Tooling: SW 30
Material: Austenitic Stainless Steel / NBR (Buna-N)
Magnet Type: Neodymium with Nickel plate
Temperature Range: -30°C to 120°C (-20°F to 250°F)

PM12-F60

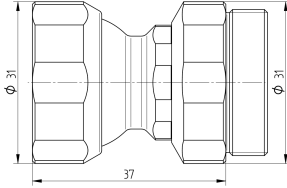


S12 Magnet Connection 60Kg

SmarTec Line: S12
Magnetic Base approximately 60 Kgf (132 lbf)
Clamping Force: 640 N
External Diameter: 31 [mm] (1.22")
Effective Length: 37 [mm] (1.456")
Magnet Diameter: 42 mm (1.65")
Tooling: SW 30
Material: Austenitic Stainless Steel / NBR (Buna-N)
Magnet Type: Neodymium with Nickel plate
Temperature Range: -30°C to 120°C (-20°F to 250°F)

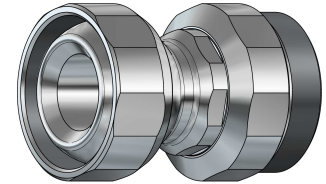
CH12A

S12 Chain Unit Straight Short

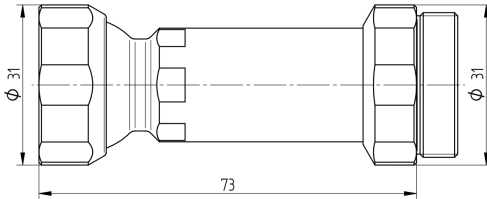


SmarTec Line: S12
External Diameter: 31 [mm] (1.22")
Effective Length: 37 [mm] (1.456")
Internal Diameter: 13.5 [mm] (0.53")
Tooling: SW 30
Material: Austenitic Stainless Steel / NBR (Buna-N)
Temperature Range: -30°C to 120°C (-20°F to 250°F)

CH12-AS

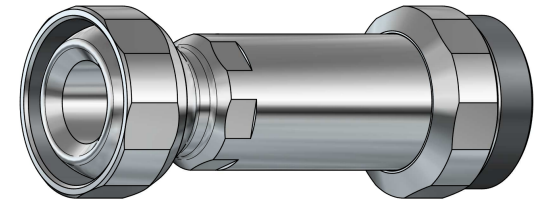


S12 Chain Unit Straight Mean

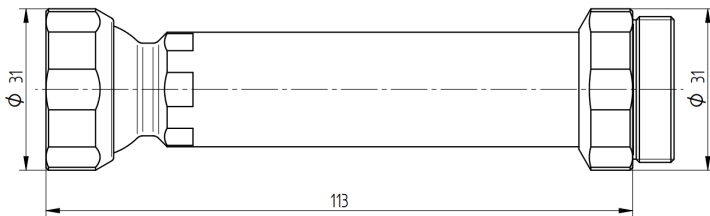


SmarTec Line: S12
External Diameter: 31 [mm] (1.22")
Effective Length: 73 [mm] (2.874")
Internal Diameter: 13.5 [mm] (0.53")
Tooling: SW 30
Material: Austenitic Stainless Steel / NBR (Buna-N)
Temperature Range: -30°C to 120°C (-20°F to 250°F)

CH12-AM



S12 Chain Unit Straight Long



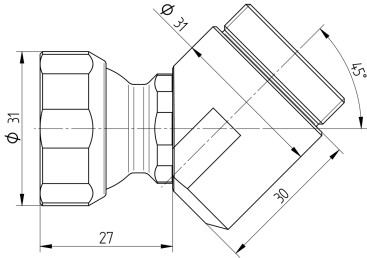
SmarTec Line: S12
External Diameter: 31 [mm] (1.22")
Effective Length: 113 [mm] (4.45")
Internal Diameter: 13.5 [mm] (0.53")
Tooling: SW 30
Material: Austenitic Stainless Steel / NBR (Buna-N)
Temperature Range: -30°C to 120°C (-20°F to 250°F)

CH12-AL



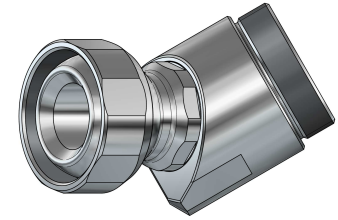
CH12F

S12 Chain Unit 45° Short

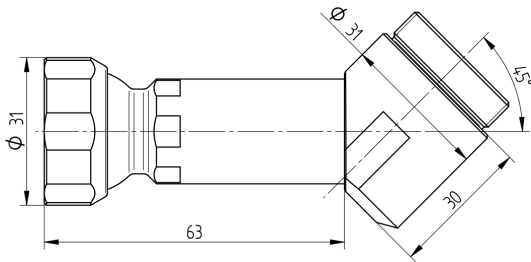


SmarTec Line: S12
Angle: 45°
External Diameter: 31 [mm] (1.22")
Effective Length: 27, 30 [mm] (1.06", 1.18")
Internal Diameter: 13.5 [mm] (0.53")
Tooling: SW 30
Material: Austenitic Stainless Steel / NBR (Buna-N)
Temperature Range: -30°C to 120°C (-20°F to 250°F)

CH12-FS

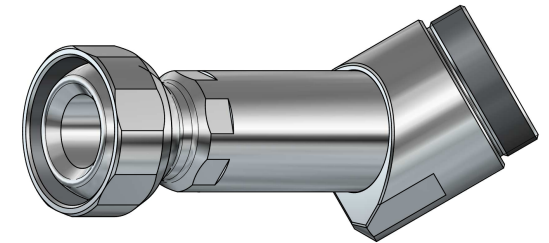


S12 Chain Unit 45° Mean

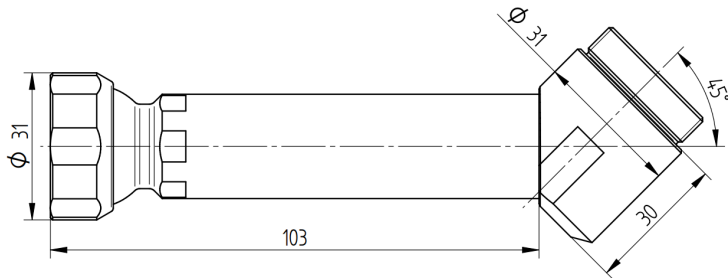


SmarTec Line: S12
Angle: 45°
External Diameter: 31 [mm] (1.22")
Effective Length: 63, 30 [mm] (2.48", 1.18")
Internal Diameter: 13.5 [mm] (0.53")
Tooling: SW 30
Material: Austenitic Stainless Steel / NBR (Buna-N)
Temperature Range: -30°C to 120°C (-20°F to 250°F)

CH12-FM

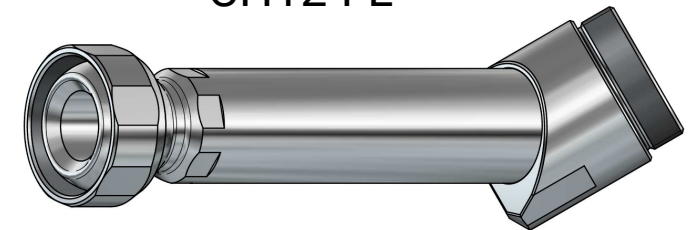


S12 Chain Unit 45° Long



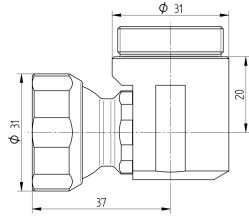
SmarTec Line: S12
Angle: 45°
External Diameter: 31 [mm] (1.22")
Effective Length: 103, 30 [mm] (4.05", 1.18")
Internal Diameter: 13.5 [mm] (0.53")
Tooling: SW 30
Material: Austenitic Stainless Steel / NBR (Buna-N)
Temperature Range: -30°C to 120°C (-20°F to 250°F)

CH12-FL



CH12P

S12 Chain Unit 90° Short



SmarTec Line: S12

Angle: 90°

External Diameter: 31 [mm] (1.22")

Effective Length: 37, 20 [mm] (1.456", 0.79")

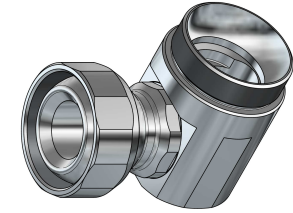
Internal Diameter: 13.5 [mm] (0.53")

Tooling: SW 30

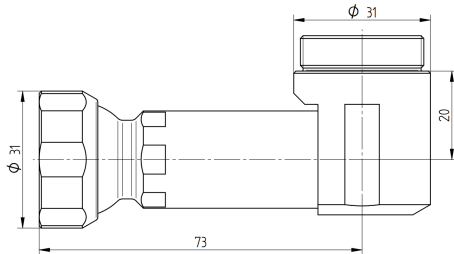
Material: Austenitic Stainless Steel / NBR (Buna-N)

Temperature Range: -30°C to 120°C (-20°F to 250°F)

CH12-PS



S12 Chain Unit 90° Mean



SmarTec Line: S12

Angle: 90°

External Diameter: 31 [mm] (1.22")

Effective Length: 73, 20 [mm] (2.874", 0.79")

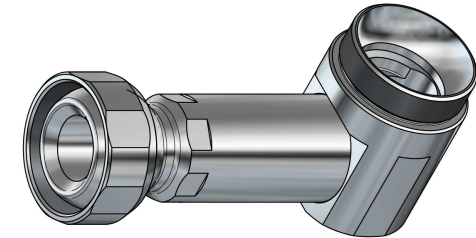
Internal Diameter: 13.5 [mm] (0.53")

Tooling: SW 30

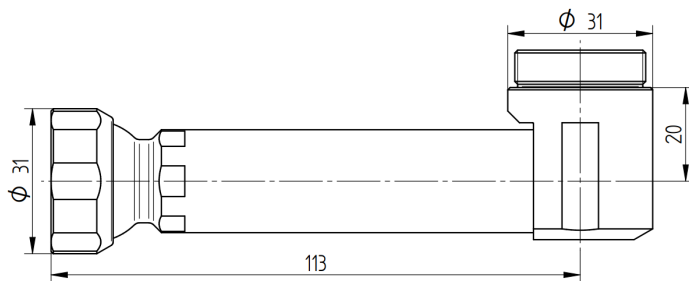
Material: Austenitic Stainless Steel / NBR (Buna-N)

Temperature Range: -30°C to 120°C (-20°F to 250°F)

CH12-PM



S12 Chain Unit 90° Long



SmarTec Line: S12

Angle: 90°

External Diameter: 31 [mm] (1.22")

Effective Length: 113, 20 [mm] (4.45", 0.79")

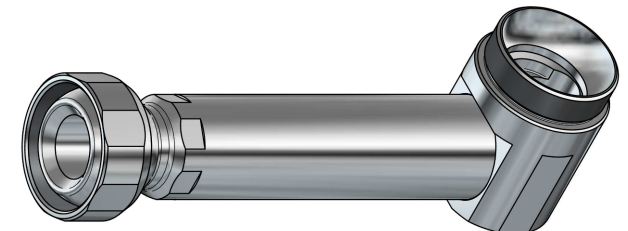
Internal Diameter: 13.5 [mm] (0.53")

Tooling: SW 30

Material: Austenitic Stainless Steel / NBR (Buna-N)

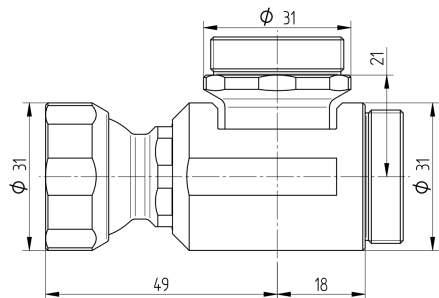
Temperature Range: -30°C to 120°C (-20°F to 250°F)

CH12-PL



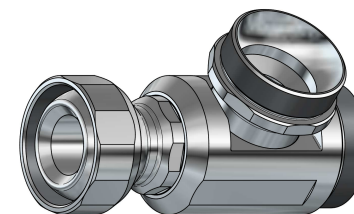
CH12T

S12 Chain Unit T Short

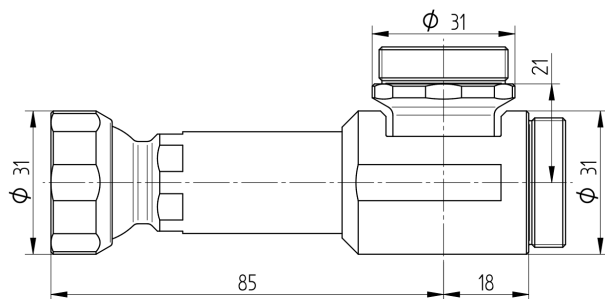


SmarTec Line: S12
Angle: 90° + 90°
External Diameter: 31 [mm] (1.22")
Effective Length: 49, 18, 21 [mm] (1.93", 0.71", 0.827")
Internal Diameter: 13.5 [mm] (0.53")
Tooling: SW 30
Material: Austenitic Stainless Steel / NBR (Buna-N)
Temperature Range: -30°C to 120°C (-20°F to 250°F)

CH12-TS

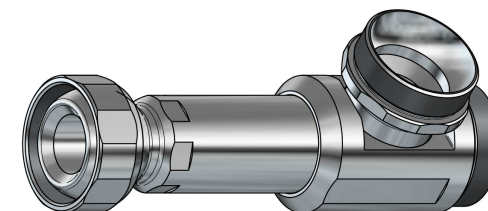


S12 Chain Unit T Mean

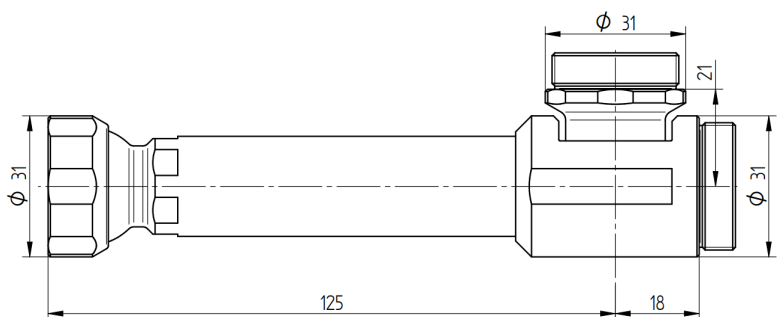


SmarTec Line: S12
Angle: 90° + 90°
External Diameter: 31 [mm] (1.22")
Effective Length: 85, 18, 21 [mm] (3.35", 0.71", 0.827")
Internal Diameter: 13.5 [mm] (0.53")
Tooling: SW 30
Material: Austenitic Stainless Steel / NBR (Buna-N)
Temperature Range: -30°C to 120°C (-20°F to 250°F)

CH12-TM



S12 Chain Unit T Long

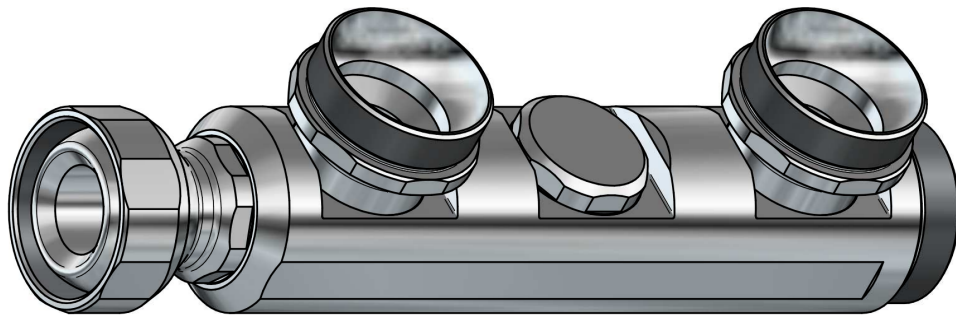
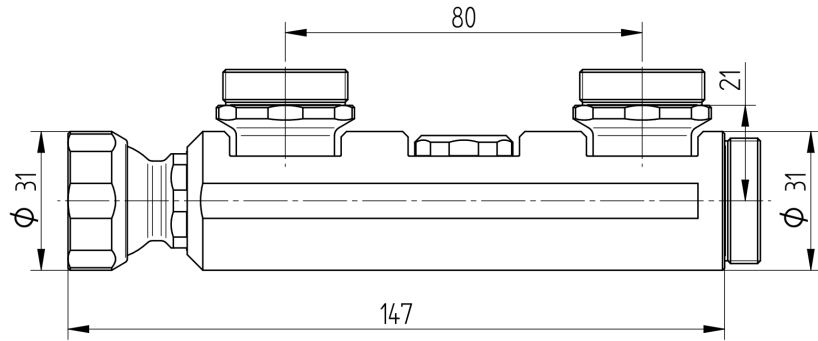


SmarTec Line: S12
Angle: 90° + 90°
External Diameter: 31 [mm] (1.22")
Effective Length: 125, 18, 21 [mm] (4.92", 0.71", 0.827")
Internal Diameter: 13.5 [mm] (0.53")
Tooling: SW 30
Material: Austenitic Stainless Steel / NBR (Buna-N)
Temperature Range: -30°C to 120°C (-20°F to 250°F)

CH12-TL



CH12-TD



S12 Chain Unit T Dual Exit

SmarTec Line: S12

Angle: 90° + 90°

No. of Exits: 2

External Diameter: 31 [mm] (1.22")

Effective Length: 147, 80 [mm] (5.8", 3")

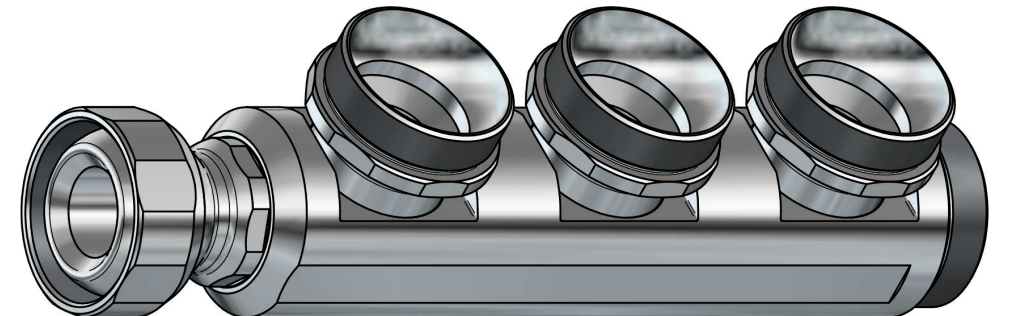
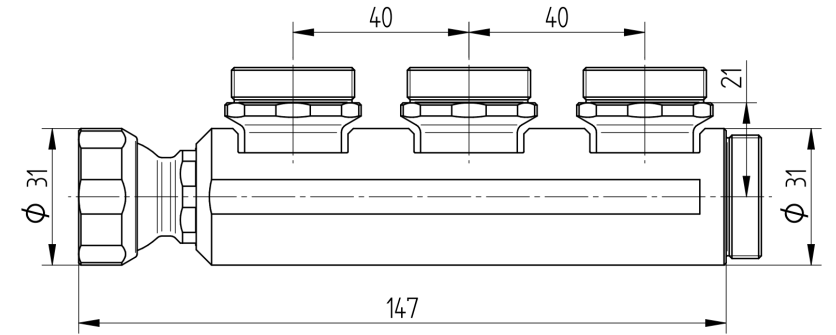
Internal Diameter: 13.5 [mm] (0.53")

Tooling: SW 30

Material: Austenitic Stainless Steel / NBR (Buna-N)

Temperature Range: -30°C to 120°C (-20°F to 250°F)

CH12-TT



S12 Chain Unit T Triple Exit

SmarTec Line: S12

Angle: 90° + 90°

No. of Exits: 3

External Diameter: 31 [mm] (1.22")

Effective Length: 147, 40 [mm] (5.8", 1.5")

Internal Diameter: 13.5 [mm] (0.53")

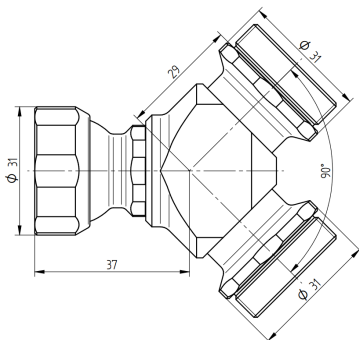
Tooling: SW 30

Material: Austenitic Stainless Steel / NBR (Buna-N)

Temperature Range: -30°C to 120°C (-20°F to 250°F)

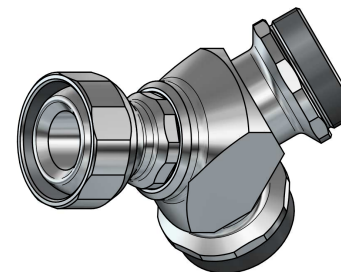
CH12Y

S12 Chain Unit Y Short

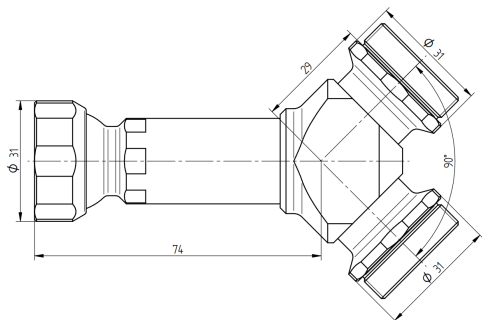


SmarTec Line: S12
Angle: 45° + 45°
External Diameter: 31 [mm] (1.22")
Effective Length: 37, 29, 29 [mm] (1.456", 1.14", 1.14")
Internal Diameter: 12.5 [mm] (0.5")
Tooling: SW 30
Material: Austenitic Stainless Steel / NBR (Buna-N)
Temperature Range: -30°C to 120°C (-20°F to 250°F)

CH12-YS

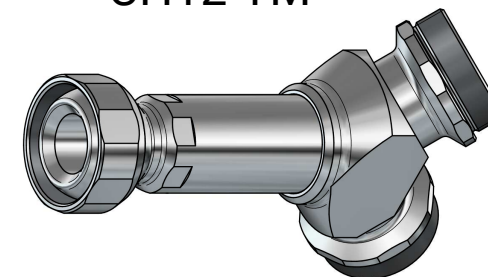


S12 Chain Unit Y Mean

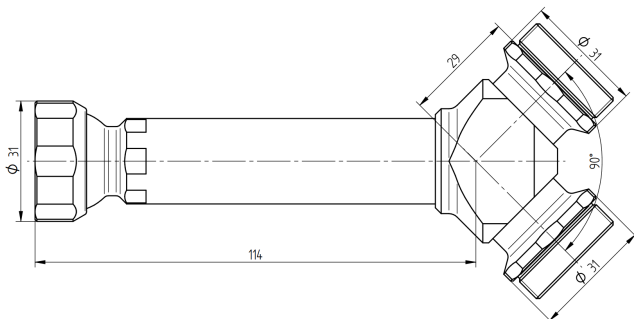


SmarTec Line: S12
Angle: 45° + 45°
External Diameter: 31 [mm] (1.22")
Effective Length: 74, 29, 29 [mm] (2.9", 1.14", 1.14")
Internal Diameter: 12.5 [mm] (0.5")
Tooling: SW 30
Material: Austenitic Stainless Steel / NBR (Buna-N)
Temperature Range: -30°C to 120°C (-20°F to 250°F)

CH12-YM

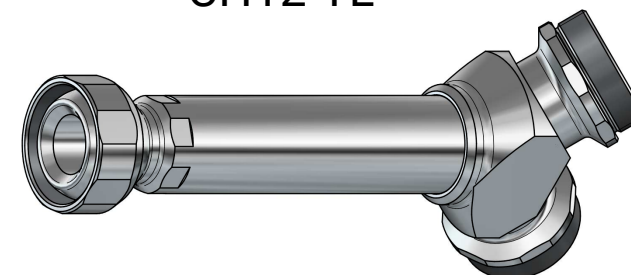


S12 Chain Unit Y Long



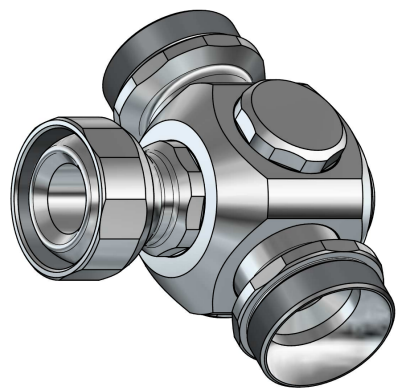
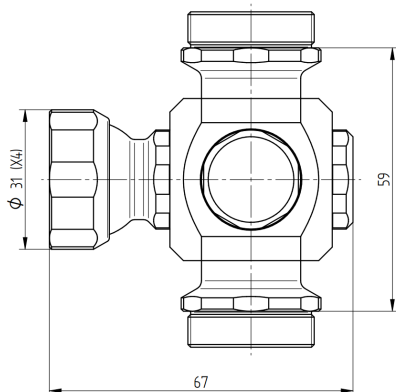
SmarTec Line: S12
Angle: 45° + 45°
External Diameter: 31 [mm] (1.22")
Effective Length: 114, 29, 29 [mm] (4.49", 1.14", 1.14")
Internal Diameter: 12.5 [mm] (0.5")
Tooling: SW 30
Material: Austenitic Stainless Steel / NBR (Buna-N)
Temperature Range: -30°C to 120°C (-20°F to 250°F)

CH12-YL



CH12X

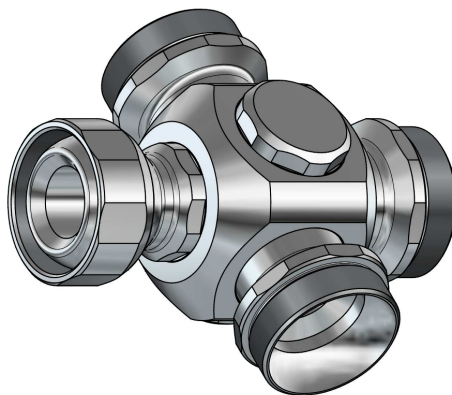
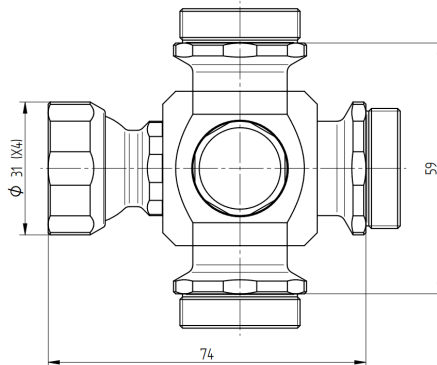
CH12-X2



S12 Chain Unit X2 Exits

SmarTec Line: S12
Angle: 90°
No. of Exits: 2
External Diameter: 31 [mm] (1.22")
Effective Length: 67, 59 [mm] (2.64", 2.32")
Internal Diameter: 9.5 [mm] (0.374")
Tooling: SW 30
Material: Austenitic Stainless Steel / NBR (Buna-N)
Temperature Range: -30°C to 120°C (-20°F to 250°F)

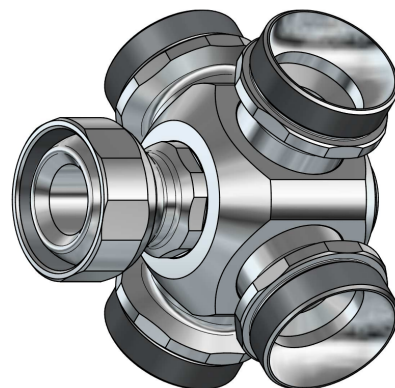
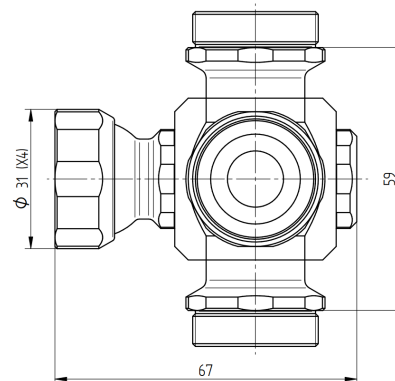
CH12-X3



S12 Chain Unit X3 Exits

SmarTec Line: S12
Angle: 90°
No. of Exits: 3
External Diameter: 31 [mm] (1.22")
Effective Length: 74, 59 [mm] (2.9", 2.32")
Internal Diameter: 9.5 [mm] (0.374")
Tooling: SW 30
Material: Austenitic Stainless Steel / NBR (Buna-N)
Temperature Range: -30°C to 120°C (-20°F to 250°F)

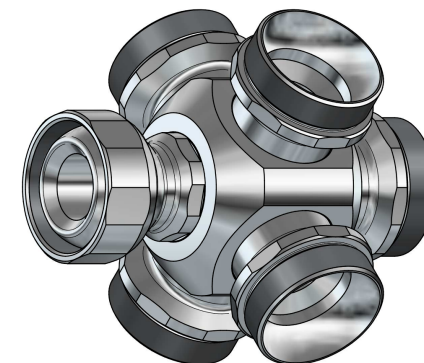
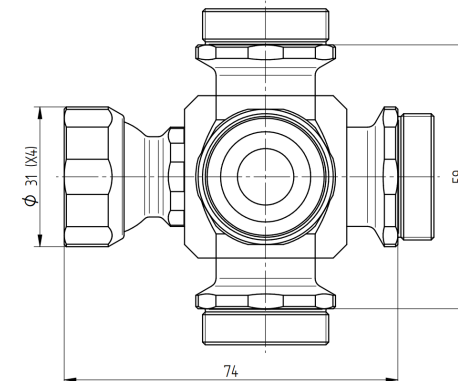
CH12-X4



S12 Chain Unit X4 Exits

SmarTec Line: S12
Angle: 90°
No. of Exits: 4
External Diameter: 31 [mm] (1.22")
Effective Length: 67, 59 [mm] (2.64", 2.32")
Internal Diameter: 9.5 [mm] (0.374")
Tooling: SW 30
Material: Austenitic Stainless Steel / NBR (Buna-N)
Temperature Range: -30°C to 120°C (-20°F to 250°F)

CH12-X5

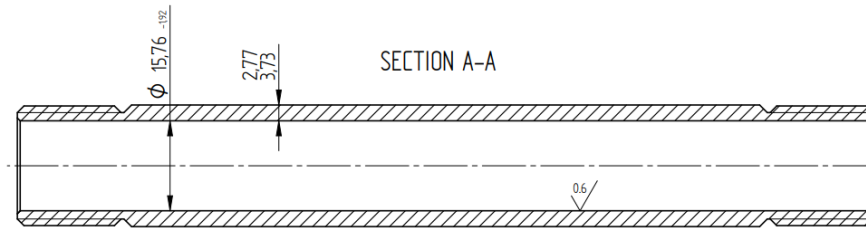
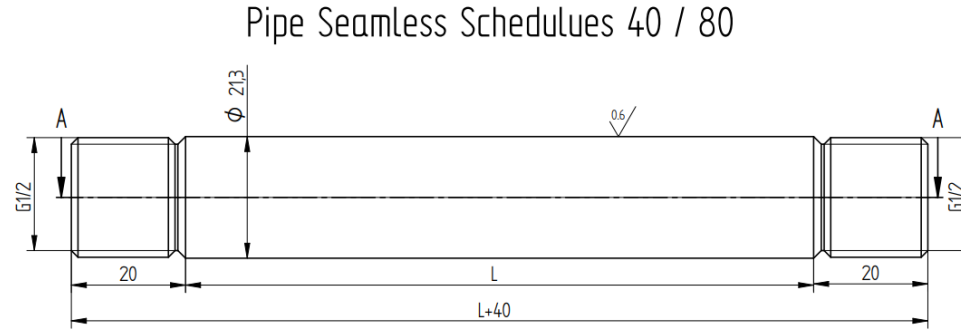
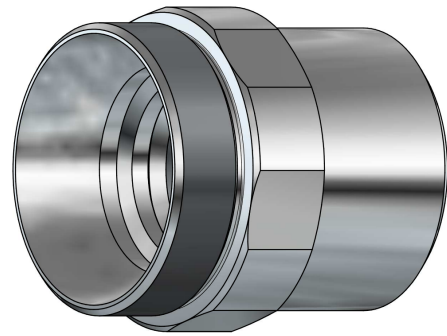
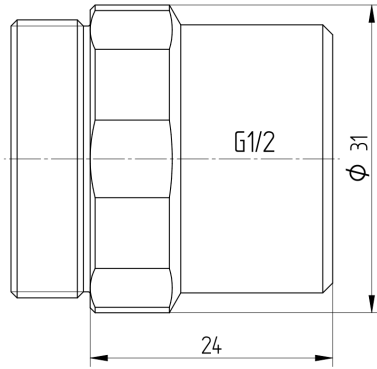


S12 Chain Unit X5 Exits

SmarTec Line: S12
Angle: 90°
No. of Exits: 5
External Diameter: 31 [mm] (1.22")
Effective Length: 74, 59 [mm] (2.9", 2.32")
Internal Diameter: 9.5 [mm] (0.374")
Tooling: SW 30
Material: Austenitic Stainless Steel / NBR (Buna-N)
Temperature Range: -30°C to 120°C (-20°F to 250°F)

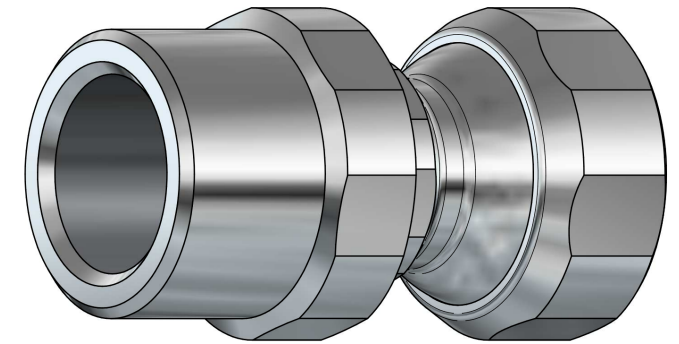
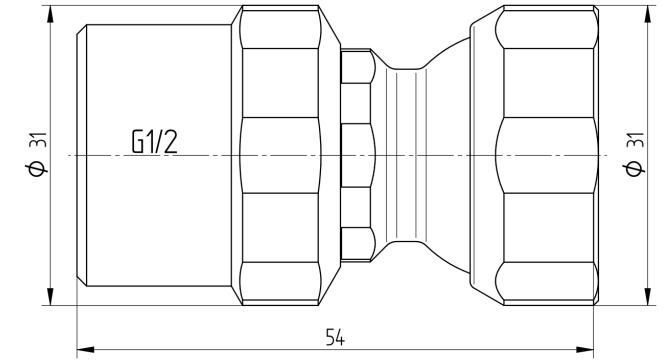
CH12E

CH12-EF



Pipe Size - 1/2
Pipe for CH12E

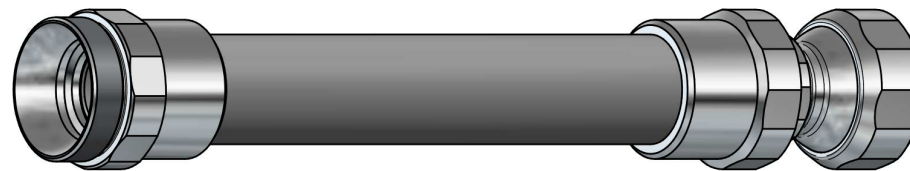
CH12-ER



S12 Chain Unit Extension Front Adaptor

SmarTec Line: S12
 External Diameter: 31 [mm] (1.22")
 Effective Length: 24 [mm] (0.945")
 Internal Diameter: 13.5 [mm] (0.53")
 Thread: G1/2
 Tooling: SW 30
 Material: Austenitic Stainless Steel
 Temperature Range: -30°C to 120°C (-20°F to 250°F)

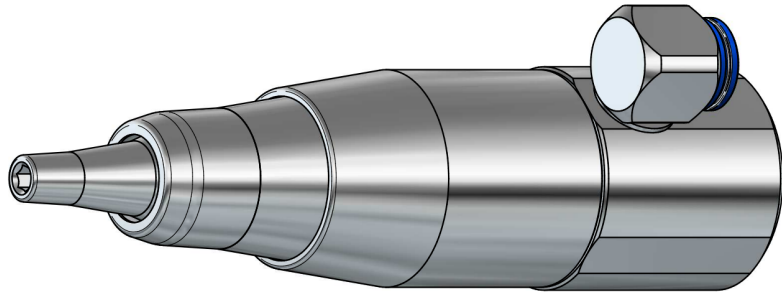
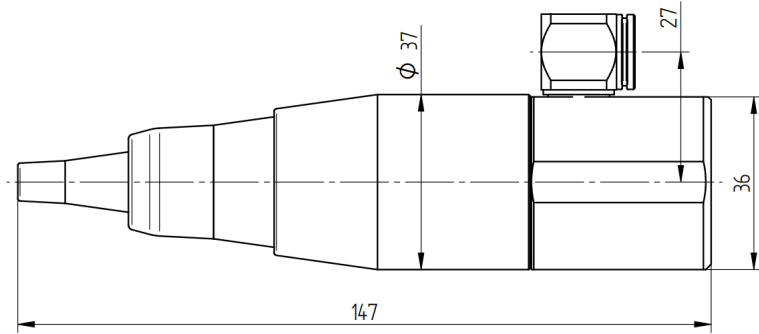
S12 Chain Unit Pipe Extension



S12 Chain Unit Extension Rear Adaptor

SmarTec Line: S12
 External Diameter: 31 [mm] (1.221")
 Effective Length: 54 [mm] (2.125")
 Internal Diameter: 13.5 [mm] (0.53")
 Thread: G1/2
 Tooling: SW 30
 Material: Austenitic Stainless Steel / NBR (Buna-N)
 Temperature Range: -30°C to 120°C (-20°F to 250°F)

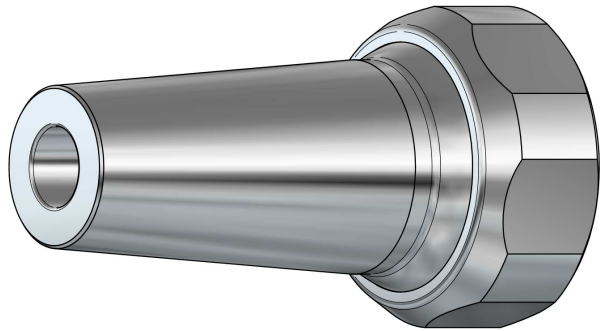
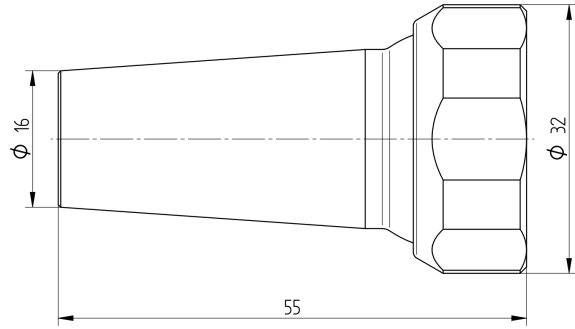
JD12



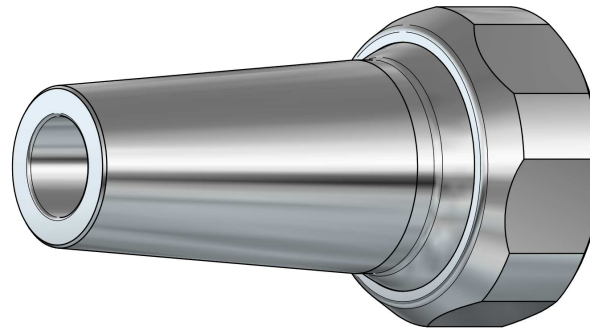
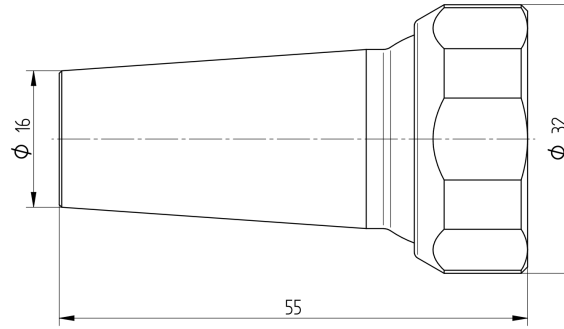
S12 Smart Jet

SmarTec Line: S12
Chain Adaptor: AJ12
External Diameter: 38 [mm] (1.5")
Effective Length: 147 [mm] (5.8")
Internal Diameter: 13.5 [mm] (0.53")
Rear Thread: G1
Tooling: SW 36
Material: Austenitic Stainless Steel / NBR (Buna-N)
Temperature Range: -30°C to 120°C (-20°F to 250°F)

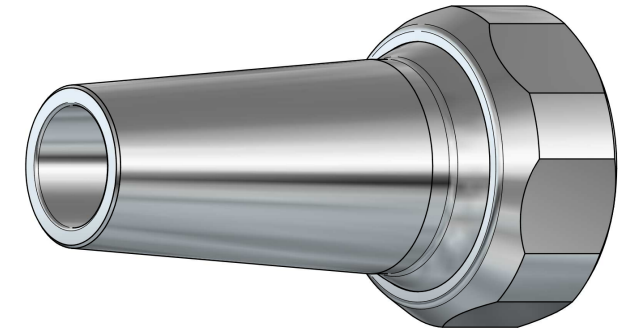
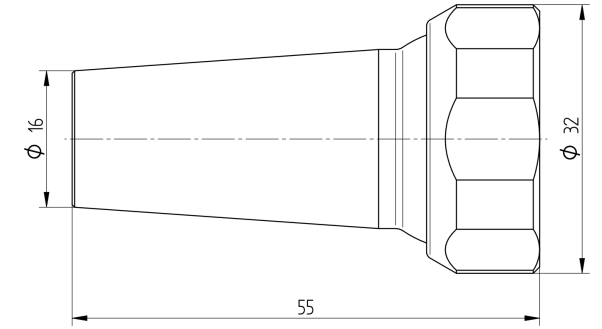
JH12-D80



JH12-D100



JH12-D120



S12 Chain Jet Basic 8 mm

SmarTec Line: S12
External Diameter: 32 [mm] (1.26")
Effective Length: 55 [mm] (2.16")
Jet Diameter: 8 [mm] (0.315")
Tooling: SW 30
Material: Austenitic Stainless Steel / NBR (Buna-N)
Temperature Range: -30°C to 120°C (-20°F to 250°F)

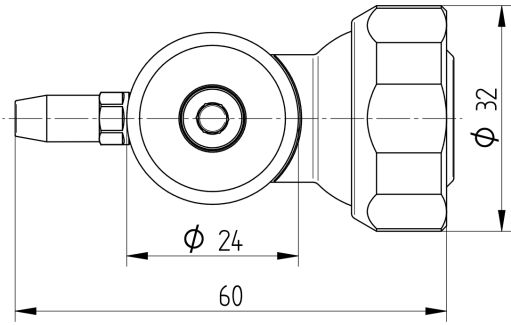
S12 Chain Jet Basic 10 mm

SmarTec Line: S12
External Diameter: 32 [mm] (1.26")
Effective Length: 55 [mm] (2.16")
Jet Diameter: 10 [mm] (0.39")
Tooling: SW 30
Material: Austenitic Stainless Steel / NBR (Buna-N)
Temperature Range: -30°C to 120°C (-20°F to 250°F)

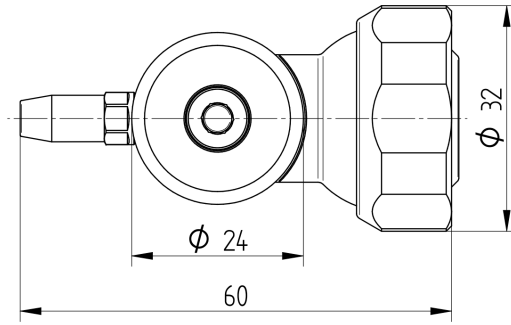
S12 Chain Jet Basic 12 mm

SmarTec Line: S12
External Diameter: 32 [mm] (1.26")
Effective Length: 55 [mm] (2.16")
Jet Diameter: 12 [mm] (0.47")
Tooling: SW 30
Material: Austenitic Stainless Steel / NBR (Buna-N)
Temperature Range: -30°C to 120°C (-20°F to 250°F)

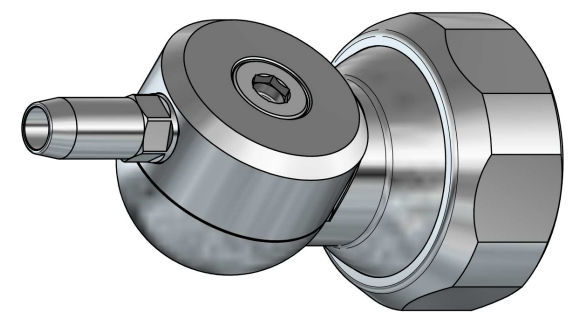
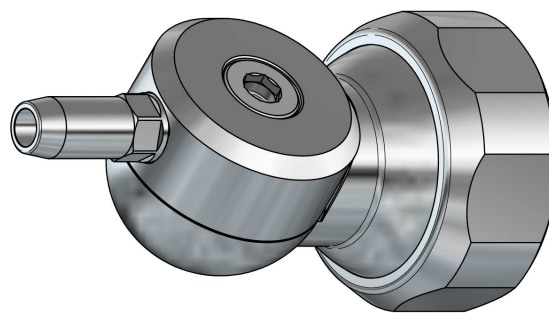
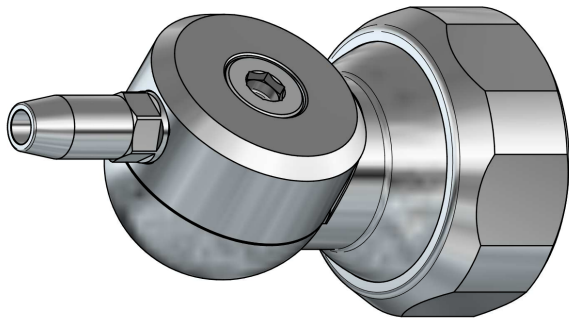
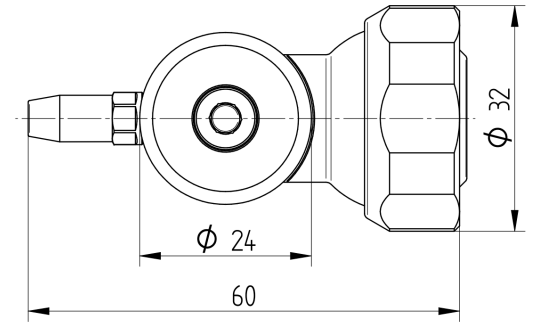
JV12-D35



JV12-D40



JV12-D45



S12 Chain Jet Variable 3.5 mm

SmarTec Line: S12
 Angle: Variable
 External Diameter: 32 [mm] (1.26")
 Effective Length: 60 [mm] (2.36")
 Jet Diameter: 3.5 [mm] (0.137")
 Tooling: SW 30
 Material: Austenitic Stainless Steel / NBR (Buna-N)
 Temperature Range: -30°C to 120°C (-20°F to 250°F)

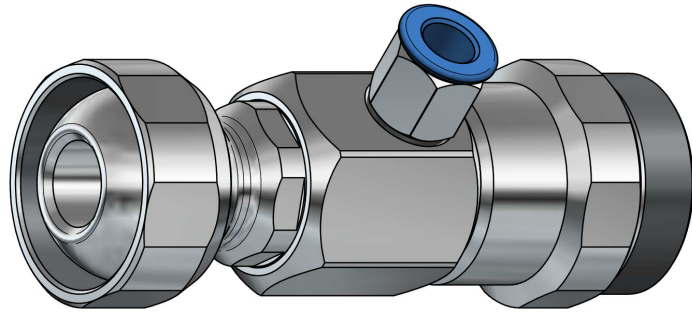
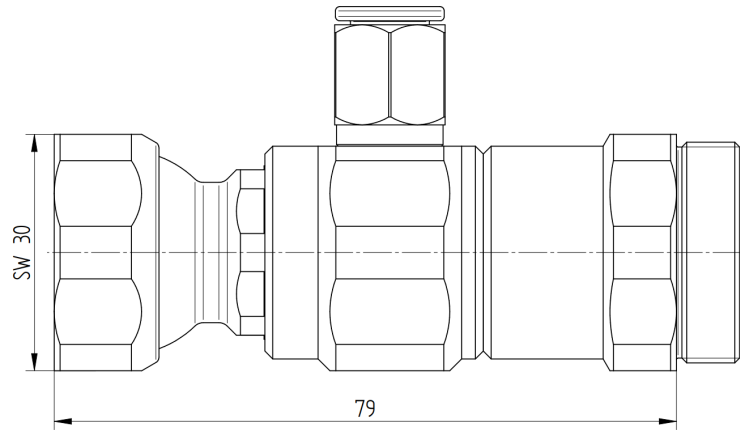
S12 Chain Jet Variable 4 mm

SmarTec Line: S12
 Angle: Variable
 External Diameter: 32 [mm] (1.26")
 Effective Length: 60 [mm] (2.36")
 Jet Diameter: 4 [mm] (0.157")
 Tooling: SW 30
 Material: Austenitic Stainless Steel / NBR (Buna-N)
 Temperature Range: -30°C to 120°C (-20°F to 250°F)

S12 Chain Jet Variable 4.5 mm

SmarTec Line: S12
 Angle: Variable
 External Diameter: 32 [mm] (1.26")
 Effective Length: 60 [mm] (2.36")
 Jet Diameter: 4.5 [mm] (0.177")
 Tooling: SW 30
 Material: Austenitic Stainless Steel / NBR (Buna-N)
 Temperature Range: -30°C to 120°C (-20°F to 250°F)

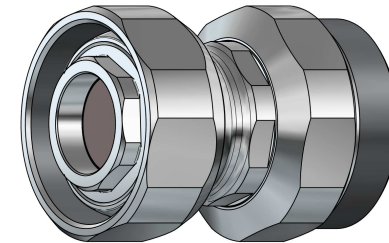
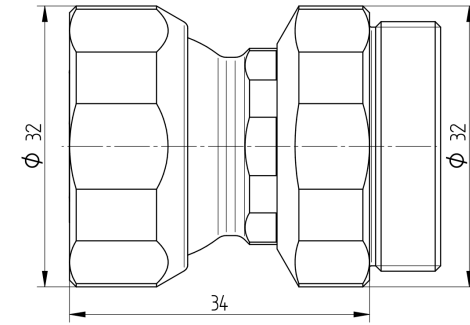
CH12-MZ



S09 Chain Unit Atomizer

SmarTec Line: S12
External Diameter: 32 [mm] (1.26")
Effective Length: 79 [mm] (3.11")
Internal Diameter: 12.5 [mm] (0.49")
Air Tube: 8X6
Tooling: SW 30
Material: Austenitic Stainless Steel
Temperature Range: -30°C to 120°C (-20°F to 250°F)

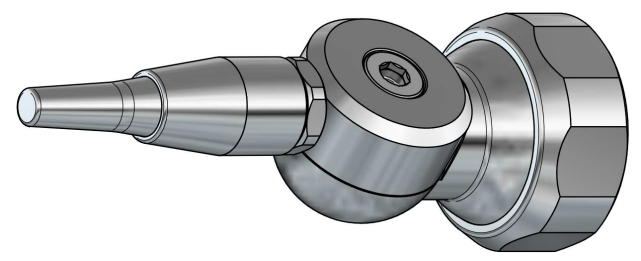
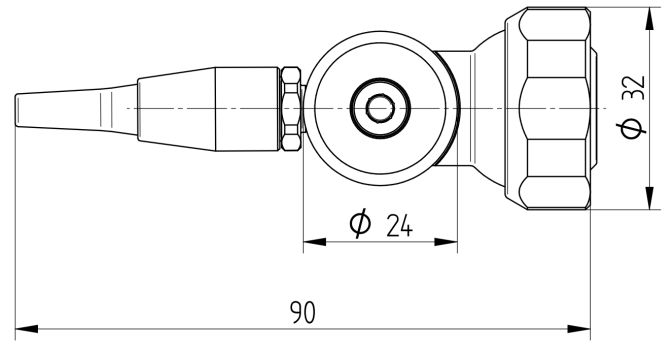
CH12-CV01



S12 Check Valve

SmarTec Line: S12
External Diameter: 32 [mm] (1.26")
Effective Length: 37 [mm] (1.45")
Internal Diameter: 12.5 [mm] (0.49")
Tooling: SW 30
Material: Austenitic Stainless Steel
Temperature Range: -30°C to 120°C (-20°F to 250°F)

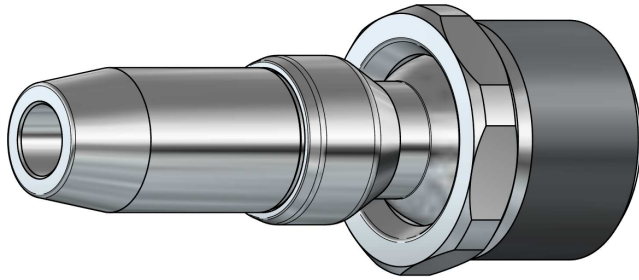
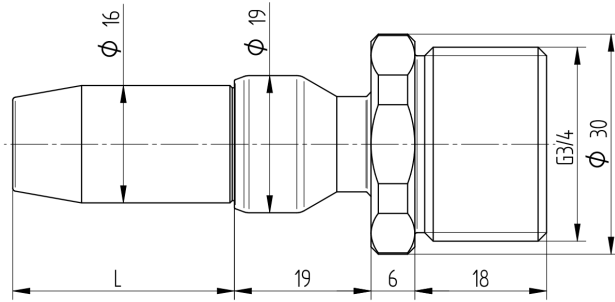
JV12-S06



S12 Chain Jet Variable

- SmarTec Line: S12
- Angle: Variable
- External Diameter: 32 [mm] (1.26")
- Effective Length: 90 [mm] (3.54")
- Tooling: SW 30
- Material: Austenitic Stainless Steel / NBR (Buna-N)
- Temperature Range: -30°C to 120°C (-20°F to 250°F)

JB12-SML

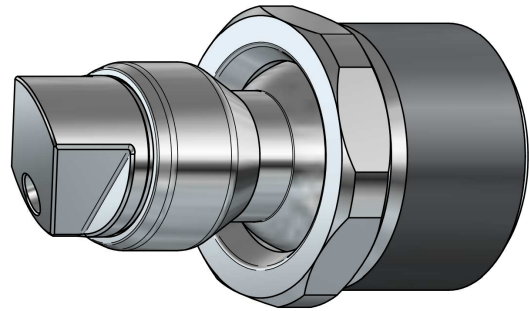
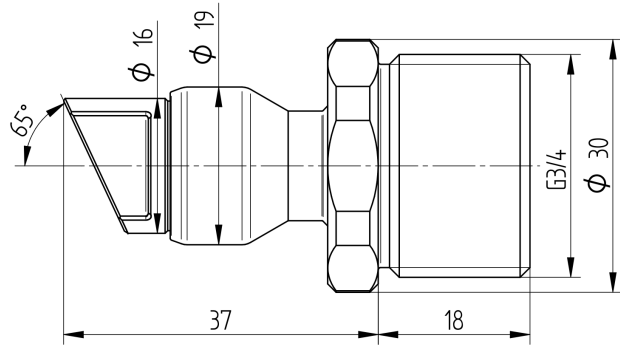


Cat No.	L	D
JB12-S60	30	6.0
JB12-S80	30	8.0
JB12-S100	30	10.0
JB12-M60	60	6.0
JB12-M80	60	8.0
JB12-M100	60	10.0
JB12-L60	120	6.0
JB12-L80	120	8.0
JB12-L100	120	10.0

S12 Block Jet Straight Modular

SmarTec Line: S12
 External Diameter: 30 [mm] (1.2")
 Effective Length: 55, 85, 145 [mm] (2.165", 3.346", 5.7")
 Jet Diameter: 6, 8, 10 [mm] (0.24", 0.3", 0.4")
 Tooling: SW 28
 Material: Austenitic Stainless Steel / NBR (Buna-N)
 Temperature Range: -30°C to 120°C (-20°F to 250°F)

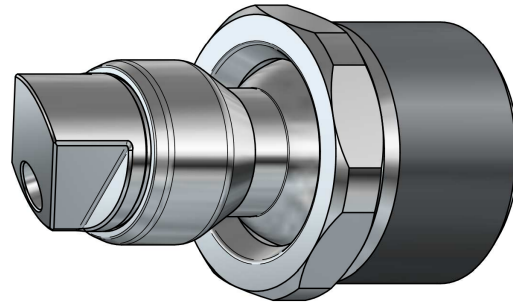
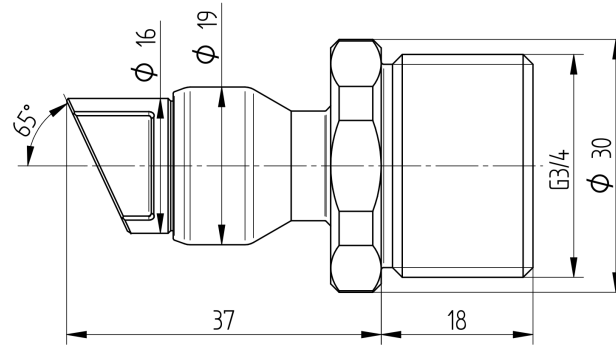
JB12-V40



S12 Block Jet 0° to 50° 4 mm

SmarTec Line: S12
External Diameter: 30 [mm] (1.2")
Effective Length: 37 [mm] (1.456")
Jet Diameter: 4 [mm] (0.16")
Max Horizontal Angle: 50°
Min Horizontal Angle: 0°
Tooling: SW 28
Thread: G3/4
Material: Austenitic Stainless Steel / NBR (Buna-N)
Temperature Range: -30°C to 120°C (-20°F to 250°F)

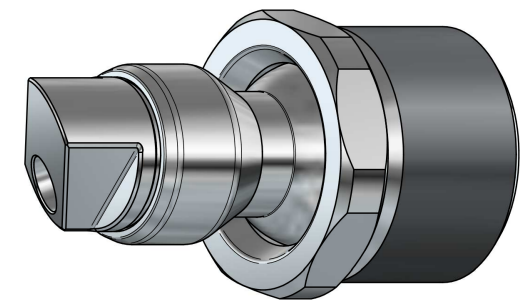
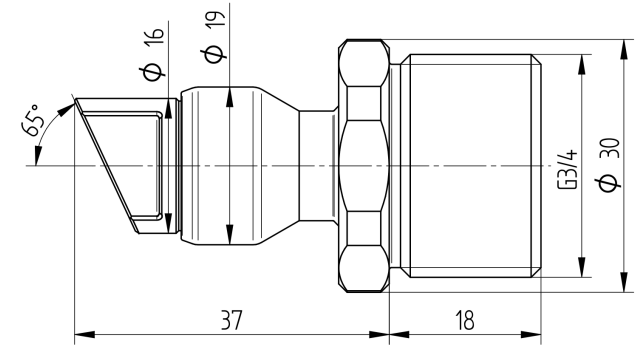
JB12-V50



S12 Block Jet 0° to 50° 5 mm

SmarTec Line: S12
External Diameter: 30 [mm] (1.2")
Effective Length: 37 [mm] (1.456")
Jet Diameter: 5 [mm] (0.2")
Max Horizontal Angle: 50°
Min Horizontal Angle: 0°
Tooling: SW 28
Thread: G3/4
Material: Austenitic Stainless Steel / NBR (Buna-N)
Temperature Range: -30°C to 120°C (-20°F to 250°F)

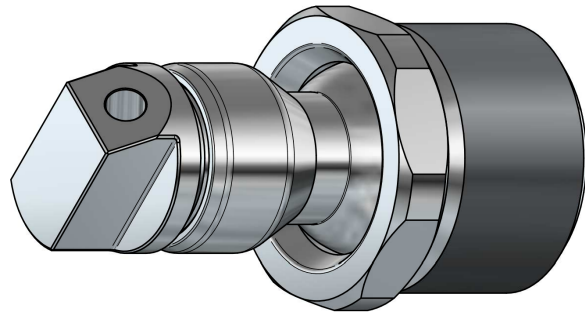
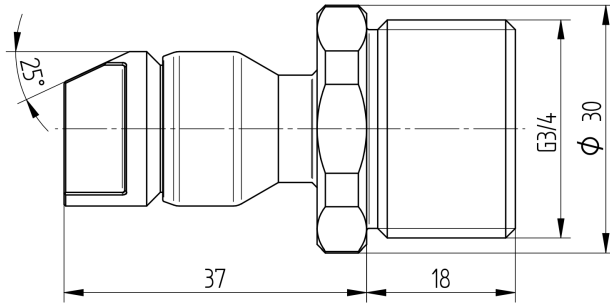
JB12-V60



S12 Block Jet 0° to 50° 6 mm

SmarTec Line: S12
External Diameter: 30 [mm] (1.2")
Effective Length: 37 [mm] (1.456")
Jet Diameter: 6 [mm] (0.24")
Max Horizontal Angle: 50°
Min Horizontal Angle: 0°
Tooling: SW 28
Thread: G3/4
Material: Austenitic Stainless Steel / NBR (Buna-N)
Temperature Range: -30°C to 120°C (-20°F to 250°F)

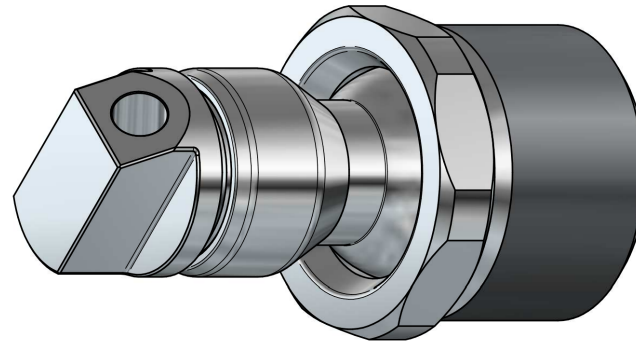
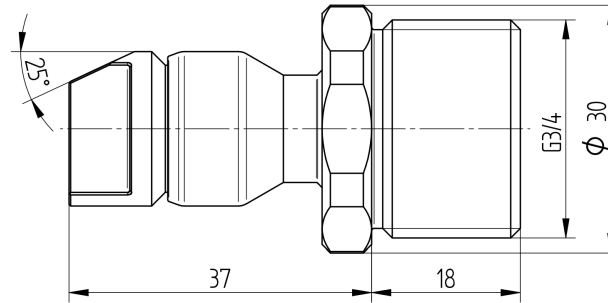
JB12-W40



S12 Block Jet 40° to 90° 4 mm

SmarTec Line: S12
External Diameter: 30 [mm] (1.2")
Effective Length: 37 [mm] (1.456")
Jet Diameter: 4 [mm] (0.16")
Max Horizontal Angle: 90°
Min Horizontal Angle: 40°
Tooling: SW 28
Thread: G3/4
Material: Austenitic Stainless Steel / NBR (Buna-N)
Temperature Range: -30°C to 120°C (-20°F to 250°F)

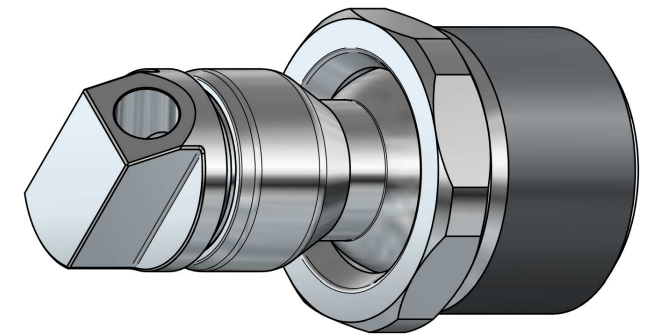
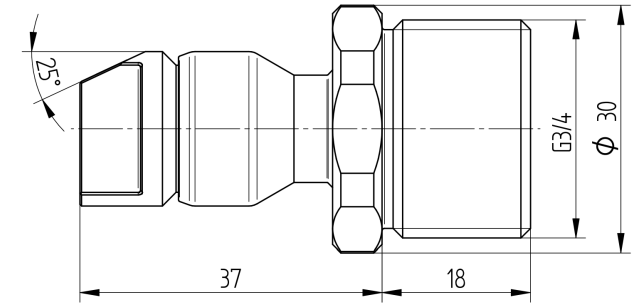
JB12-W50



S12 Block Jet 40° to 90° 5 mm

SmarTec Line: S12
External Diameter: 30 [mm] (1.2")
Effective Length: 37 [mm] (1.456")
Jet Diameter: 5 [mm] (0.2")
Max Horizontal Angle: 90°
Min Horizontal Angle: 40°
Tooling: SW 28
Thread: G3/4
Material: Austenitic Stainless Steel / NBR (Buna-N)
Temperature Range: -30°C to 120°C (-20°F to 250°F)

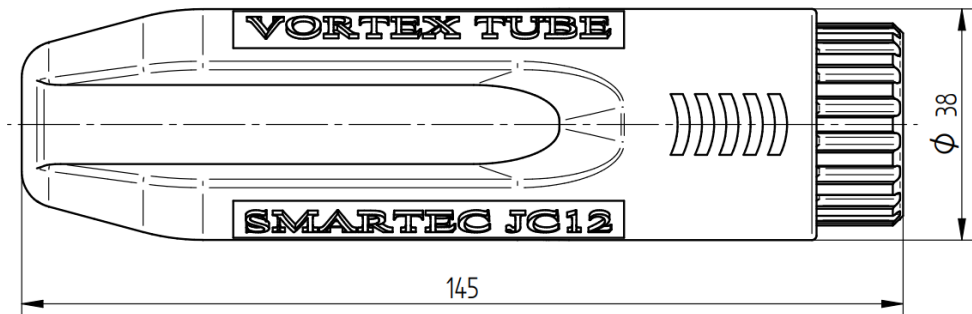
JB12-W60



S12 Block Jet 40° to 90° 6 mm

SmarTec Line: S12
External Diameter: 30 [mm] (1.2")
Effective Length: 37 [mm] (1.456")
Jet Diameter: 6 [mm] (0.24")
Max Horizontal Angle: 90°
Min Horizontal Angle: 40°
Tooling: SW 28
Thread: G3/4
Material: Austenitic Stainless Steel / NBR (Buna-N)
Temperature Range: -30°C to 120°C (-20°F to 250°F)

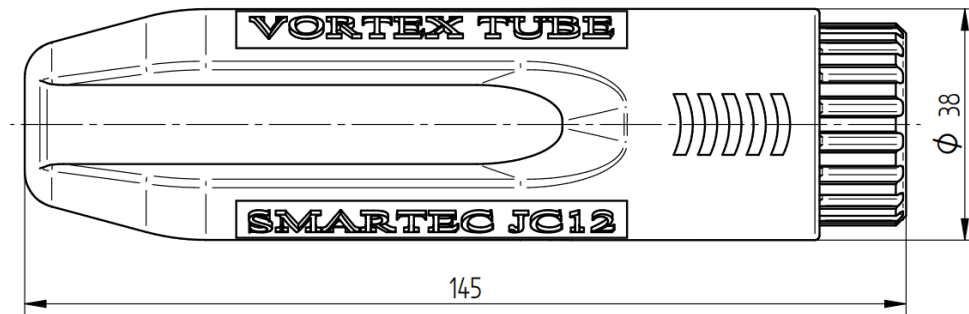
JC12-TH



S12 Vortex Tube Jet Thread G1/4 Exit

SmarTec Line: S12
External Diameter: 38 [mm] (1.5")
Effective Length: 145 [mm] (5.7")
Internal Diameter: 5 [mm] (0.2")
Inlet Thread: G3/4
Exit Type: Thread G1/4
Calibration Tooling: Allen 4
Material: Polyamide
Temperature Range: - 40°C to 120°C

JC12-CN

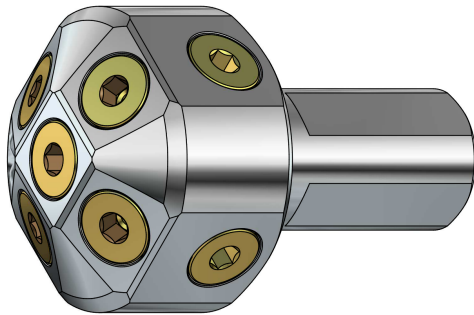
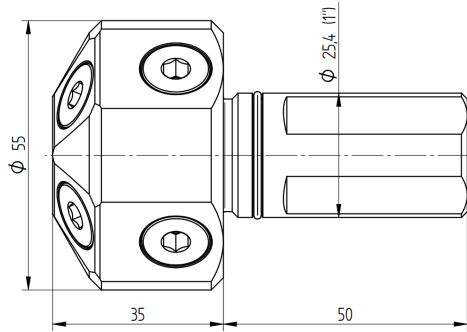


S12 Vortex Tube Jet Conical Exit

SmarTec Line: S12
External Diameter: 38 [mm] (1.5")
Effective Length: 145 [mm] (5.7")
Internal Diameter: 5 [mm] (0.2")
Inlet Thread: G3/4
Exit Type: Conical
Calibration Tooling: Allen 4
Material: Polyamide
Temperature Range: - 40°C to 120°C

JR12

JR12-IN



S12 Machine Cleaning Jet Imperial

SmarTec Line: S12

External Diameter: 55 [mm] (2.165")

Clamping Diameter: 25.4 [mm] (1")

Clamping Length: 50 [mm] (1.97")

Effective Length: 35 [mm] (1.378")

Internal Diameter: 13.5 [mm] (0.53")

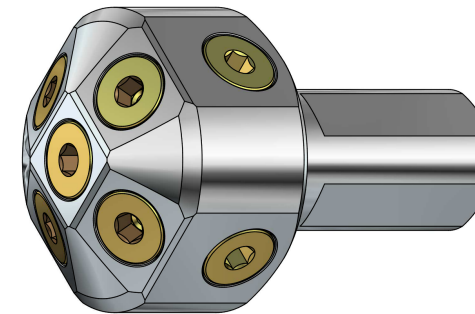
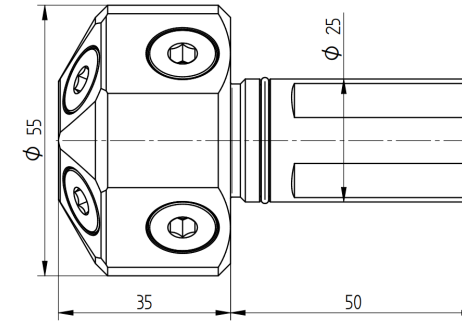
Flats: 23

Thread: G3/8

Material: Austenitic Stainless Steel / NBR / Brass

Temperature Range: -30°C to 120°C (-20°F to 250°F)

JR12-ME



S12 Machine Cleaning Jet Metric

SmarTec Line: S12

External Diameter: 55 [mm] (2.165")

Clamping Diameter: 25 [mm] (0.98")

Clamping Length: 50 [mm] (1.97")

Effective Length: 35 [mm] (1.378")

Internal Diameter: 13.5 [mm] (0.53")

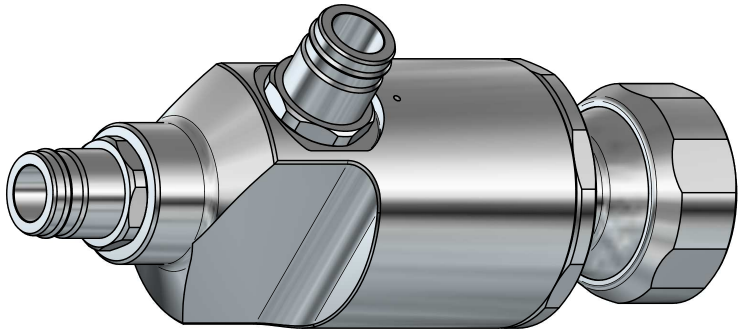
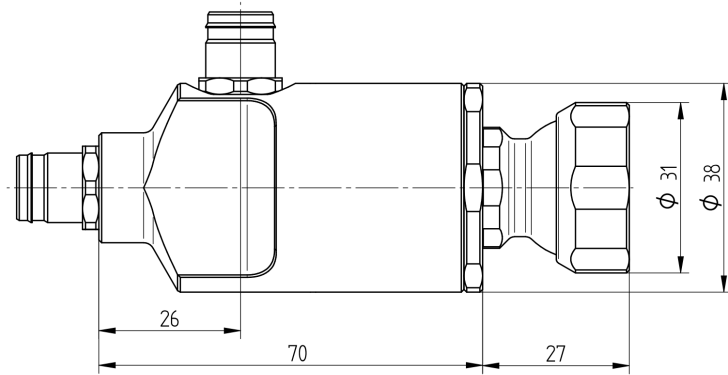
Flats: 23

Thread: G3/8

Material: Austenitic Stainless Steel / NBR / Brass

Temperature Range: -30°C to 120°C (-20°F to 250°F)

VL12



S12 Mechanical Valve

SmarTec Line: S12

External Diameter: 38 [mm] (1.5")

Effective Length: 85 [mm] (3.346")

Internal Diameter: 13.5 [mm] (0.53")

Air Fittings connection: G1/4

Tooling: SW 30

Material: Austenitic Stainless Steel / NBR (Buna-N)

Temperature Range: -30°C to 120°C (-20°F to 250°F)

KIT 12

KIT 12 – CONT'

KIT 12						KIT 12 – CONT'					
No.	Element	KIT03 S	KIT03 M	KIT03 L	Notes	No.	Element	KIT03 S	KIT03 M	KIT03 L	Notes
1	AJ12	1	1	1		26	JB12-V40		1	2	
2	AM12-G375	1	1	1		27	JB12-V50	1	1	2	
3	AM12-G500	1	1	1		28	JB12-V60		1	2	
4	AM12-G750	1	1	1		29	JB12-W40		1	2	
5	AS12-TS06	1	1	2		30	JB12-W50	1	1	2	
6	AS12-TS09	1	1	2		31	JB12-W60		1	2	
7	CH12-AS	10	20	40		32	JC12-TH		1	2	
8	CH12-AM	2	5	10		33	JC12-CN		1	2	
9	CH12-AL	2	5	10		34	JR12-IN			1	
10	CH12-FS	2	2	5		35	JR12-ME	1	1	1	
11	CH12-FM		2	5		36	VL12		1	1	
12	CH12-FL	2	2	5							
13	CH12-PS	2	2	5							
14	CH12-PM		2	5							
15	CH12-PL	2	2	5							
16	CH12-TS	2	2	5							
17	CH12-TM		2	5							
18	CH12-TL	2	2	5							
19	CH12-YS	2	2	5							
20	CH12-TM	2	2	5							
21	CH12-YL	2	2	5							
22	CH12-EF		2	5							
23	CH12-ER		2	5							
24	JD12	1	1	2							
25	JB12-SML			1	9 units		Total units	42	75	160	