

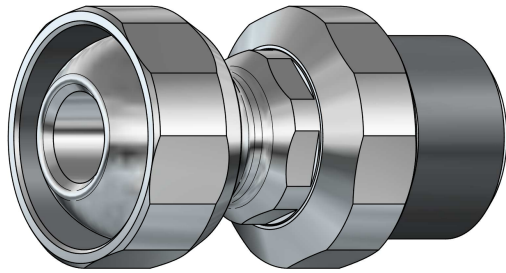
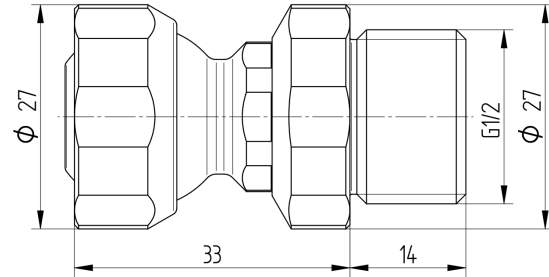
# SMARTEC

Contact: [marketing@smartec-tools.com](mailto:marketing@smartec-tools.com)

# **Series 09**



# AJ09



## S09 Jet Adaptor G1/8

SmarTec Line: S09

Connect to: JD09

Front Thread: G1/8

External Diameter: 27 [mm] (1.06")

Effective Length: 33 [mm] (1.3")

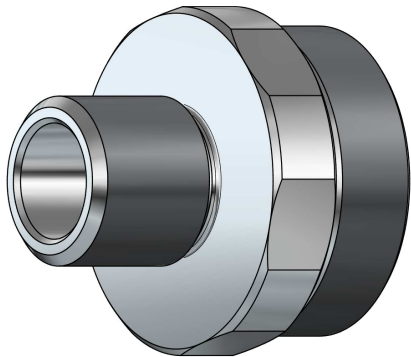
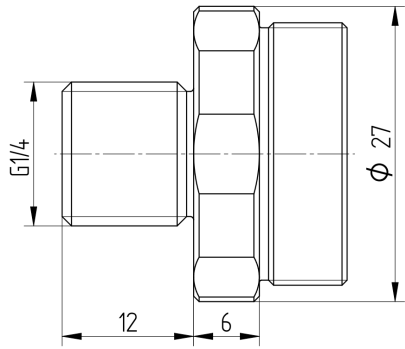
Internal Diameter: 9.5 [mm] (0.374")

Tooling: SW 26

Material: Austenitic Stainless Steel / NBR (Buna-N)

Temperature Range: -30°C to 120°C (-20°F to 250°F)

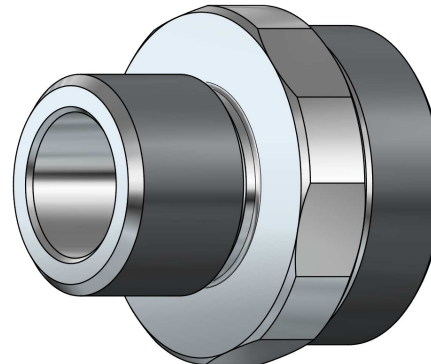
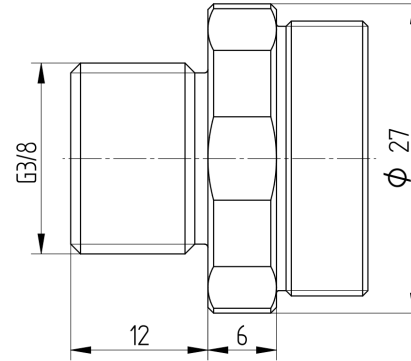
## AM09-G250



### S09 Machine Adaptor G1/4

SmarTec Line: S09  
External Diameter: 27 [mm] (1.06")  
Effective Length: 6 [mm] (0.24")  
Internal Diameter: 9.5 [mm] (0.374")  
Tooling: SW 26  
Thread: G1/4  
Material: Austenitic Stainless Steel  
Temperature Range: -30°C to 120°C (-20°F to 250°F)

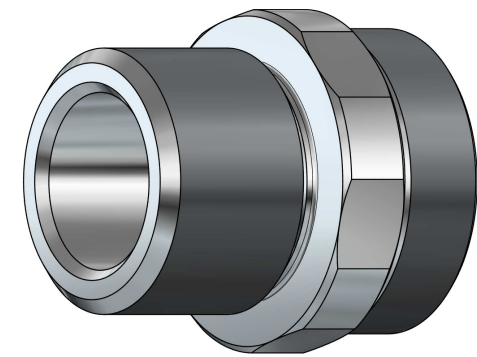
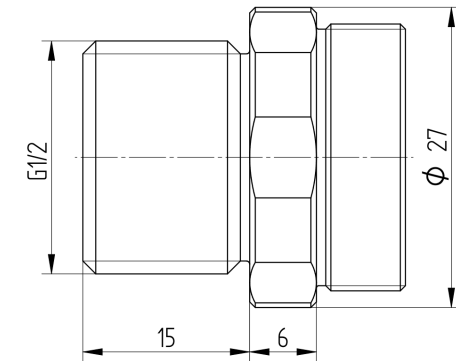
## AM09-G375



### S09 Machine Adaptor G3/8

SmarTec Line: S09  
External Diameter: 27 [mm] (1.06")  
Effective Length: 6 [mm] (0.24")  
Internal Diameter: 9.5 [mm] (0.374")  
Tooling: SW 26  
Thread: G3/8  
Material: Austenitic Stainless Steel  
Temperature Range: -30°C to 120°C (-20°F to 250°F)

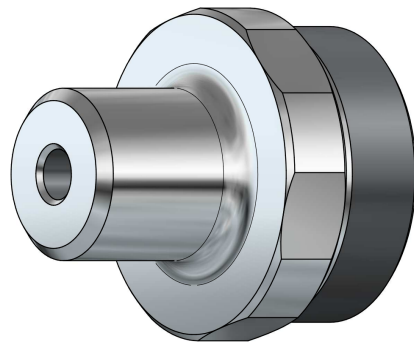
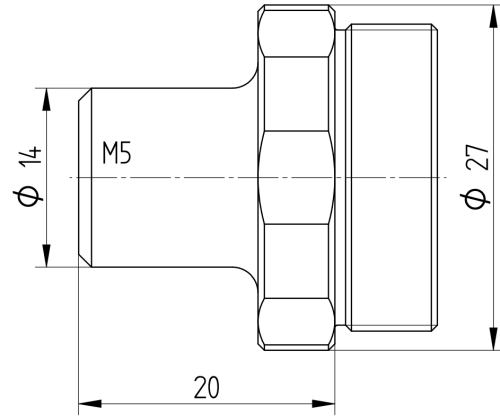
## AM09-G500



### S09 Machine Adaptor G1/2

SmarTec Line: S09  
External Diameter: 27 [mm] (1.06")  
Effective Length: 6 [mm] (0.24")  
Internal Diameter: 9.5 [mm] (0.374")  
Tooling: SW 26  
Thread: G1/2  
Material: Austenitic Stainless Steel  
Temperature Range: -30°C to 120°C (-20°F to 250°F)

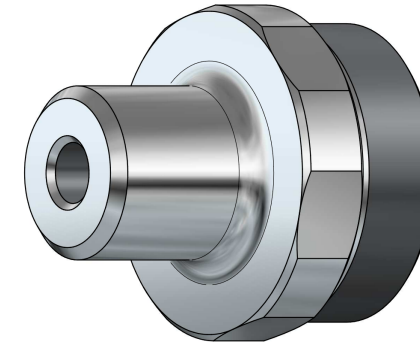
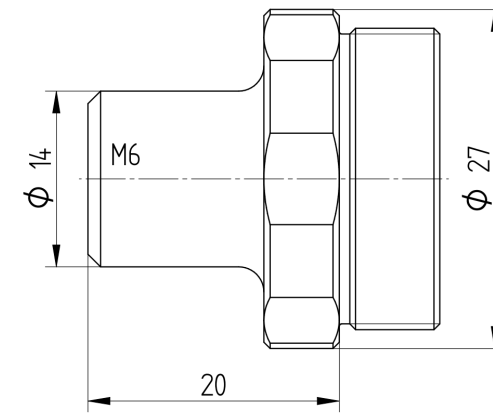
## AP09-M5



## S09 Plug Adaptor M5

SmarTec Line: S09  
Connecting peripheral equipment to magnetic Base  
External Diameter: 27 [mm] (1.06")  
Effective Length: 20 [mm] (0.787")  
Tooling: SW 26  
Internal Thread: M5  
Thread Length: 10 mm (0.39")  
Material: Austenitic Stainless Steel  
Temperature Range: -30°C to 120°C (-20°F to 250°F)

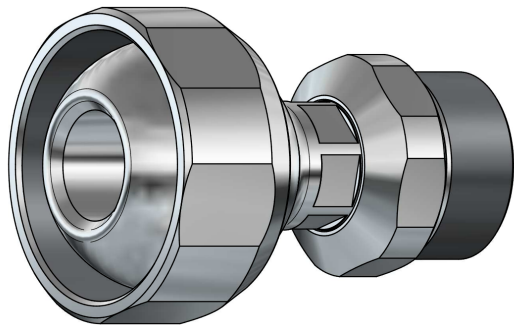
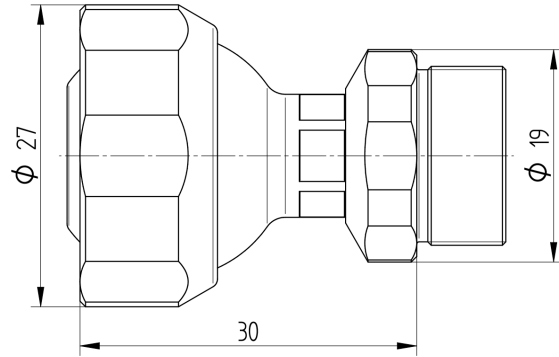
## AP09-M6



## S09 Plug Adaptor M6

SmarTec Line: S09  
Connecting peripheral equipment to magnetic Base  
External Diameter: 27 [mm] (1.06")  
Effective Length: 20 [mm] (0.787")  
Tooling: SW 26  
Internal Thread: M6  
Thread Length: 10 mm (0.39")  
Material: Austenitic Stainless Steel  
Temperature Range: -30°C to 120°C (-20°F to 250°F)

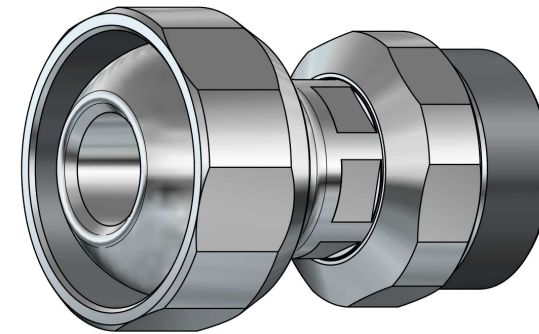
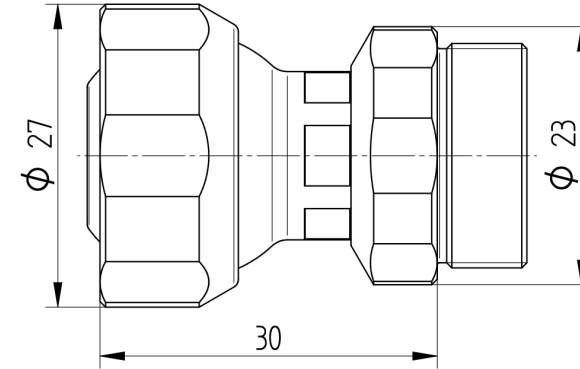
## AS09-TS03



### S09 to S03 Series Adaptor

SmarTec Line: S09  
Base Line: S09  
Secondary Line: S03  
External Diameter: 27 [mm] (1.06")  
Effective Length: 30 [mm] (1.2")  
Internal Diameter: 3.5 [mm] (0.14")  
Tooling: SW 26, SW 18  
Material: Austenitic Stainless Steel / NBR (Buna-N)  
Temperature Range: -30°C to 120°C (-20°F to 250°F)

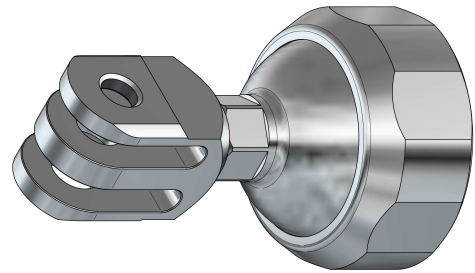
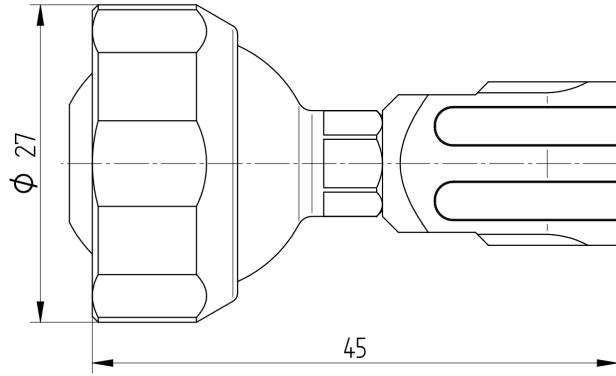
## AS09-TS06



### S09 to S06 Series Adaptor

SmarTec Line: S09  
Base Line: S09  
Secondary Line: S06  
External Diameter: 27 [mm] (1.06")  
Effective Length: 30 [mm] (1.2")  
Internal Diameter: 6.5 [mm] (0.256")  
Tooling: SW 26, SW 22  
Material: Austenitic Stainless Steel / NBR (Buna-N)  
Temperature Range: -30°C to 120°C (-20°F to 250°F)

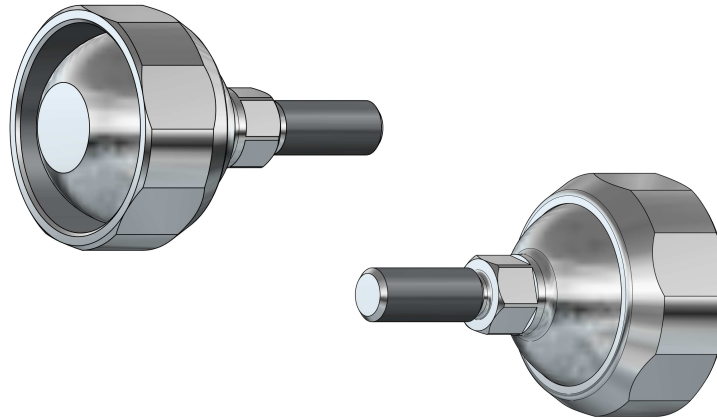
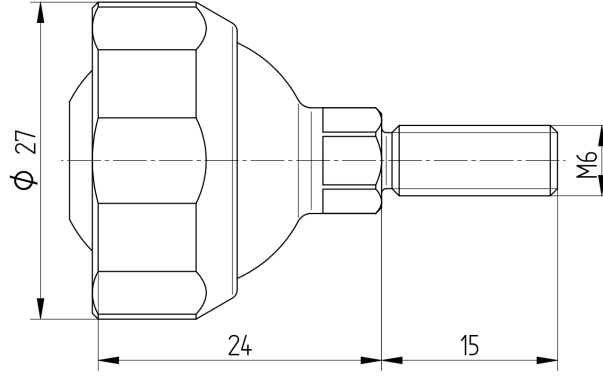
## PC09-GP



### S09 Chain Plug Go-Pro Connector

SmarTec Line: S09  
Go-Pro Connection  
External Diameter: 27 [mm] (1.06")  
Effective Length: 45 [mm] (1.77")  
Thread: M5  
Tooling: SW 26  
Material: Austenitic Stainless Steel / NBR (Buna-N)  
Temperature Range: -30°C to 120°C (-20°F to 250°F)

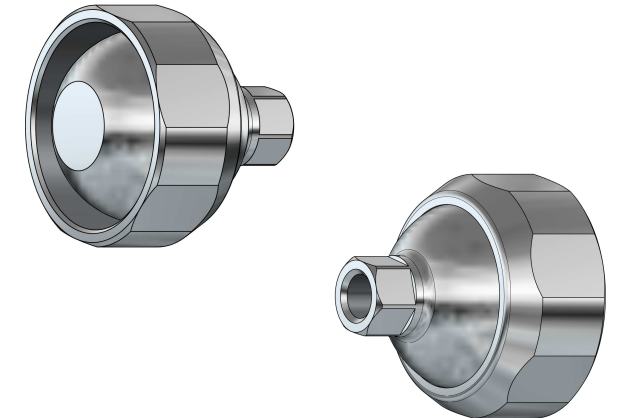
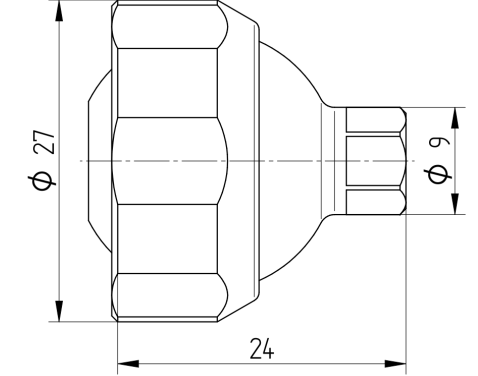
## PC09-M6M



### S09 Chain Plug M6 Male

SmarTec Line: S09  
General Connection  
External Diameter: 27 [mm] (1.06")  
Effective Length: 24 [mm] (0.94")  
Thread: External M6 P1  
Thread Length: 15 [mm] (0.4")  
Tooling: SW 26, SW 8  
Material: Austenitic Stainless Steel / NBR (Buna-N)  
Temperature Range: -30°C to 120°C (-20°F to 250°F)

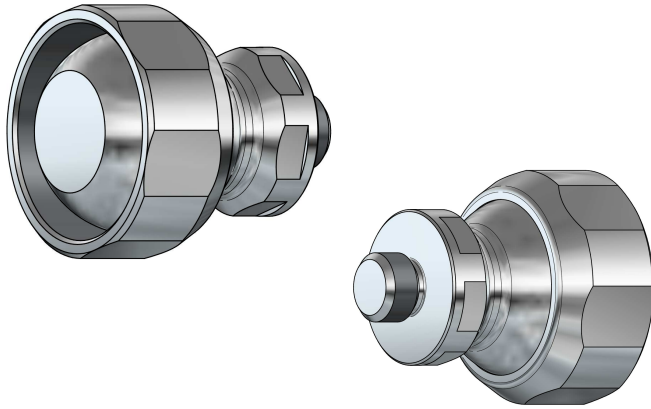
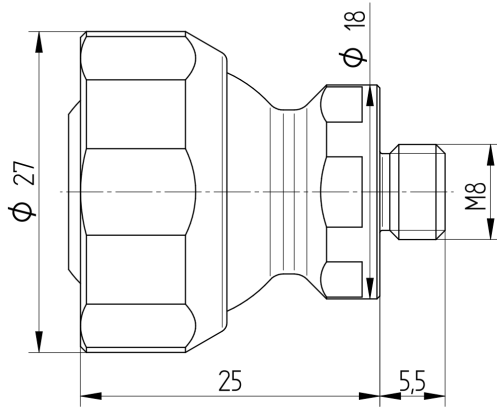
## PC09-M6F



### S09 Chain Plug M6 Female

SmarTec Line: S09  
General Connection  
External Diameter: 27 [mm] (1.06")  
Effective Length: 24 [mm] (0.94")  
Thread: Internal M6 P1  
Thread Length: 15 [mm] (0.4")  
Tooling: SW 26, SW 8  
Material: Austenitic Stainless Steel / NBR (Buna-N)  
Temperature Range: -30°C to 120°C (-20°F to 250°F)

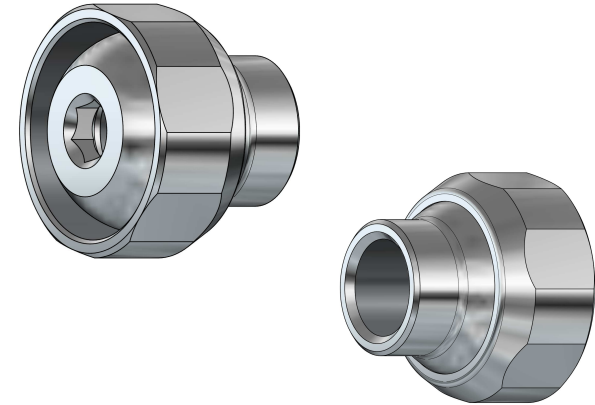
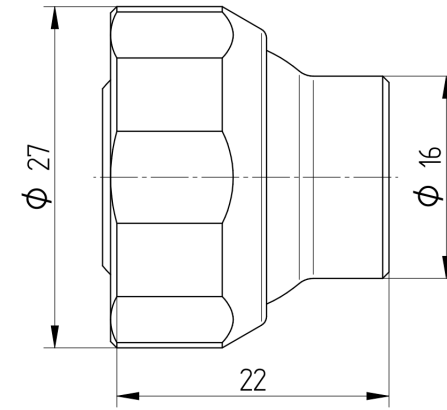
## PE09-M8



### S09 Chain Plug External M8

SmarTec Line: S09  
Connection to Magnetic Base  
External Diameter: 27 [mm] (1.06")  
Effective Length: 25 [mm] (1")  
External Thread: M8 P1.25  
Thread Length: 5.5 [mm] (0.22")  
Tooling: SW 26, SW 17  
Material: Austenitic Stainless Steel / NBR (Buna-N)  
Temperature Range: -30°C to 120°C (-20°F to 250°F)

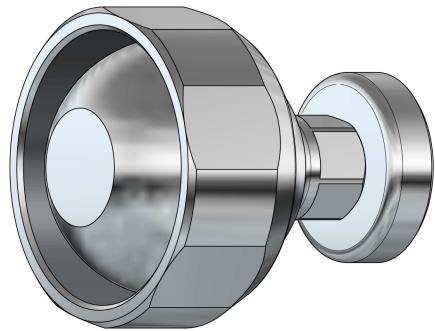
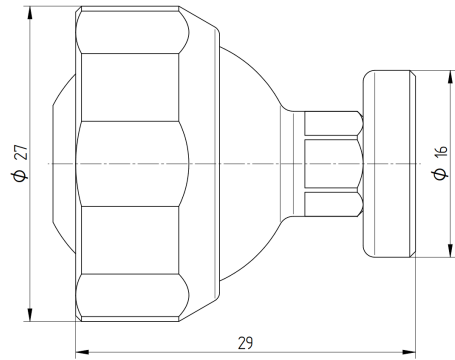
## PG09-G250



### S09 Chain Plug Internal G1/4

SmarTec Line: S09  
Connection to Pressure Gage  
External Diameter: 27 [mm] (1.06")  
Effective Length: 22 [mm] (0.87")  
Internal Thread: G1/4  
Thread Length: 18 [mm] (0.7")  
Tooling: SW 26, Allen Key 6 [mm]  
Material: Austenitic Stainless Steel / NBR (Buna-N)  
Temperature Range: -30°C to 120°C (-20°F to 250°F)

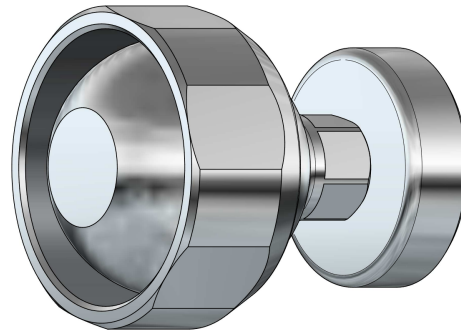
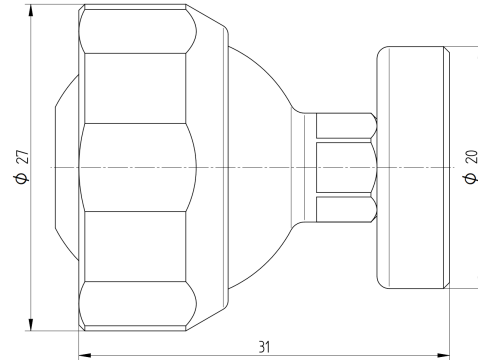
## PM09-F10



### S09 Magnet Connection 10Kg

SmarTec Line: S09  
Magnetic Base: approximately 10 Kgf (22 lbf)  
Clamping Force: 90 N  
External Diameter: 27 [mm] (1.06")  
Effective Length: 29 [mm] (1.14")  
Magnet Diameter: 16 mm (0.63")  
Tooling: SW 26  
Material: Austenitic Stainless Steel / NBR (Buna-N)  
Magnet Type: Neodymium with Nickel plate  
Temperature Range: -30°C to 120°C (-20°F to 250°F)

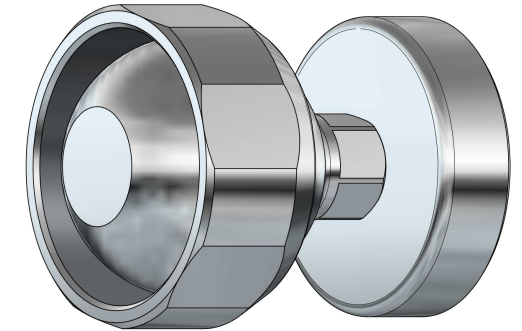
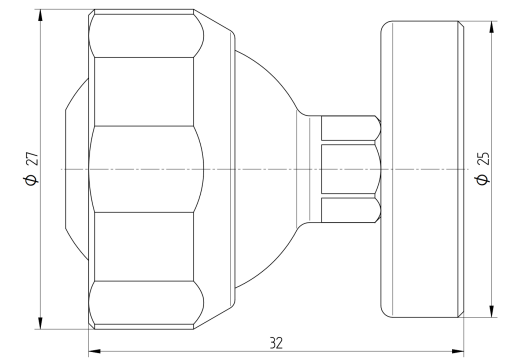
## PM09-F15



### S09 Magnet Connection 15Kg

SmarTec Line: S09  
Magnetic Base: approximately 15 Kgf (33 lbf)  
Clamping Force: 135 N  
External Diameter: 27 [mm] (1.06")  
Effective Length: 31 [mm] (1.22")  
Magnet Diameter: 20 mm (0.787")  
Tooling: SW 26  
Material: Austenitic Stainless Steel / NBR (Buna-N)  
Magnet Type: Neodymium with Nickel plate  
Temperature Range: -30°C to 120°C (-20°F to 250°F)

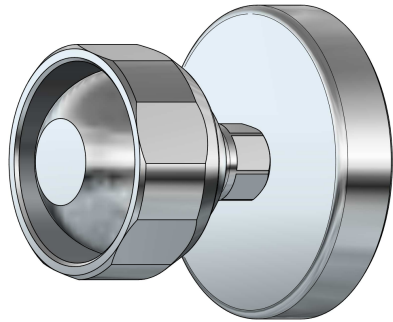
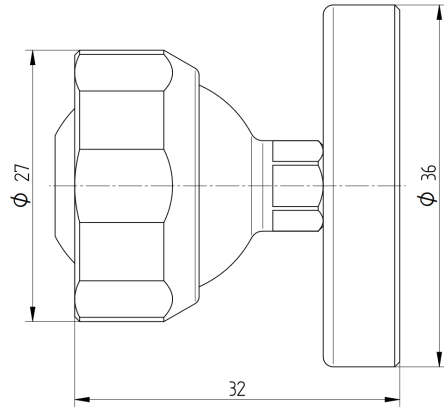
## PM09-F20



### S09 Magnet Connection 20Kg

SmarTec Line: S09  
Magnetic Base: approximately 20 Kgf (44 lbf)  
Clamping Force: 195 N  
External Diameter: 27 [mm] (1.06")  
Effective Length: 32 [mm] (1.26")  
Magnet Diameter: 25 mm (0.98")  
Tooling: SW 26  
Material: Austenitic Stainless Steel / NBR (Buna-N)  
Magnet Type: Neodymium with Nickel plate  
Temperature Range: -30°C to 120°C (-20°F to 250°F)

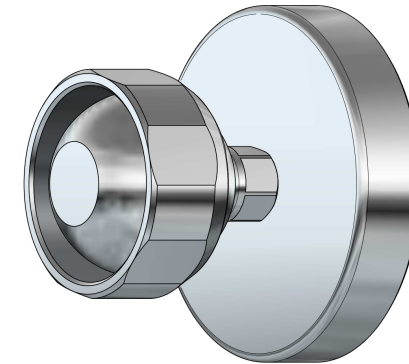
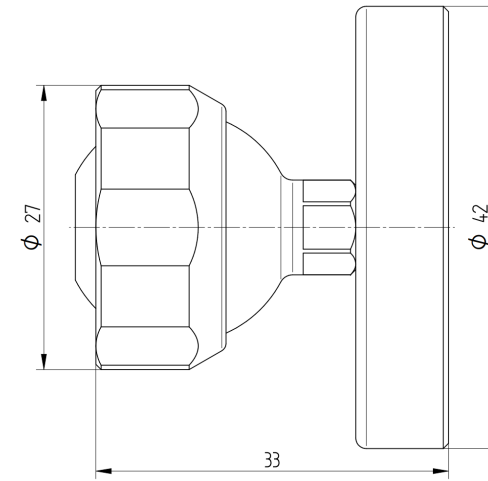
## PM09-F40



### S09 Magnet Connection 40Kg

SmarTec Line: S09  
Magnetic Base approximately 40 Kgf (88 lbf)  
Clamping Force: 390 N  
External Diameter: 27 [mm] (1.06")  
Effective Length: 32 [mm] (1.26")  
Magnet Diameter: 36 mm (1.42")  
Tooling: SW 26  
Material: Austenitic Stainless Steel / NBR (Buna-N)  
Magnet Type: Neodymium with Nickel plate  
Temperature Range: -30°C to 120°C (-20°F to 250°F)

## PM09-F60



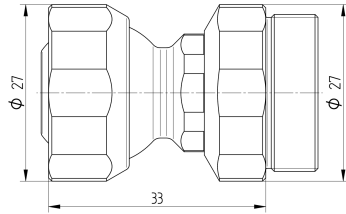
### S09 Magnet Connection 60Kg

SmarTec Line: S09  
Magnetic Base approximately 60 Kgf (132 lbf)  
Clamping Force: 640 N  
External Diameter: 27 [mm] (1.06")  
Effective Length: 33 [mm] (1.3")  
Magnet Diameter: 42 mm (1.65")  
Tooling: SW 26  
Material: Austenitic Stainless Steel / NBR (Buna-N)  
Magnet Type: Neodymium with Nickel plate  
Temperature Range: -30°C to 120°C (-20°F to 250°F)



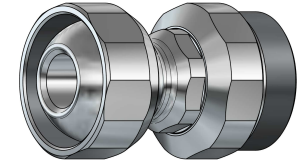
# CH09A

## S09 Chain Unit Straight Short

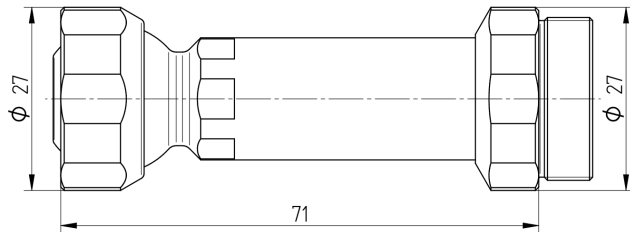


SmarTec Line: S09  
External Diameter: 27 [mm] (1.06")  
Effective Length: 33 [mm] (1.3")  
Internal Diameter: 9.5 [mm] (0.374")  
Tooling: SW 26  
Material: Austenitic Stainless Steel / NBR (Buna-N)  
Temperature Range: -30°C to 120°C (-20°F to 250°F)

## CH09-AS

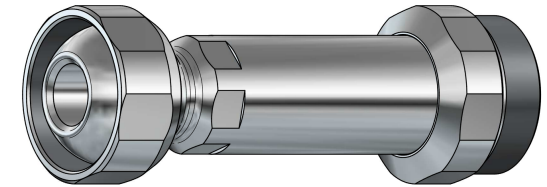


## S09 Chain Unit Straight Mean

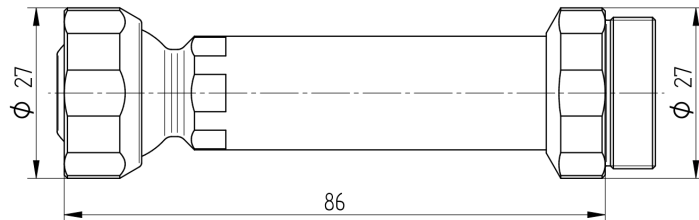


SmarTec Line: S09  
External Diameter: 27 [mm] (1.06")  
Effective Length: 71 [mm] (2.8")  
Internal Diameter: 9.5 [mm] (0.374")  
Tooling: SW 26  
Material: Austenitic Stainless Steel / NBR (Buna-N)  
Temperature Range: -30°C to 120°C (-20°F to 250°F)

## CH09-AM

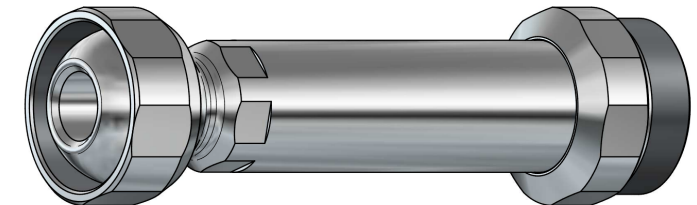


## S09 Chain Unit Straight Long

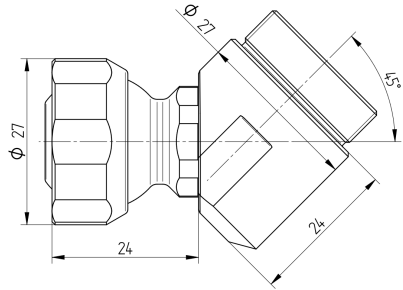


SmarTec Line: S09  
External Diameter: 27 [mm] (1.06")  
Effective Length: 86 [mm] (3.385")  
Internal Diameter: 9.5 [mm] (0.374")  
Tooling: SW 26  
Material: Austenitic Stainless Steel / NBR (Buna-N)  
Temperature Range: -30°C to 120°C (-20°F to 250°F)

## CH09-AL



# CH09F



## S09 Chain Unit 45° Short

SmarTec Line: S09

Angle: 45°

External Diameter: 27 [mm] (1.06")

Effective Length: 24, 24 [mm] (0.94", 0.94")

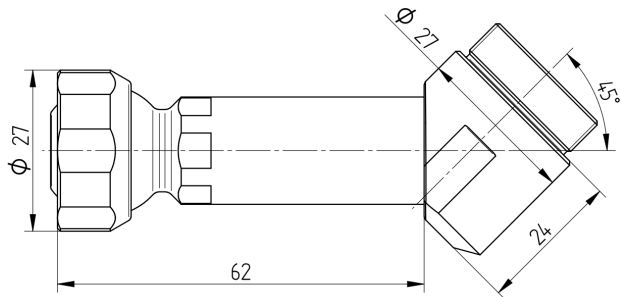
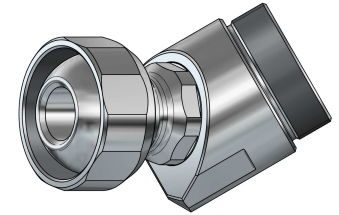
Internal Diameter: 9.5 [mm] (0.374")

Tooling: SW 26

Material: Austenitic Stainless Steel / NBR (Buna-N)

Temperature Range: -30°C to 120°C (-20°F to 250°F)

## CH09-FS



## S09 Chain Unit 45° Mean

SmarTec Line: S09

Angle: 45°

External Diameter: 27 [mm] (1.06")

Effective Length: 62, 24 [mm] (2.44", 0.94")

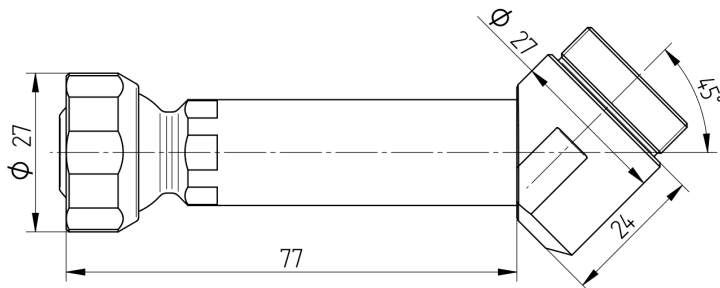
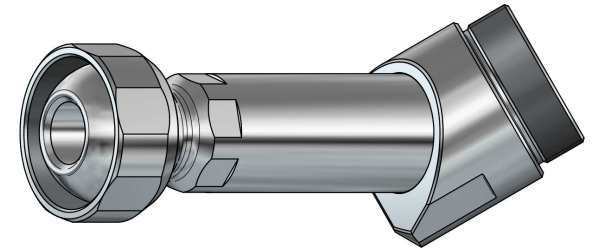
Internal Diameter: 9.5 [mm] (0.374")

Tooling: SW 26

Material: Austenitic Stainless Steel / NBR (Buna-N)

Temperature Range: -30°C to 120°C (-20°F to 250°F)

## CH09-FM



## S09 Chain Unit 45° Long

SmarTec Line: S09

Angle: 45°

External Diameter: 27 [mm] (1.06")

Effective Length: 77, 24 [mm] (3.03", 0.94")

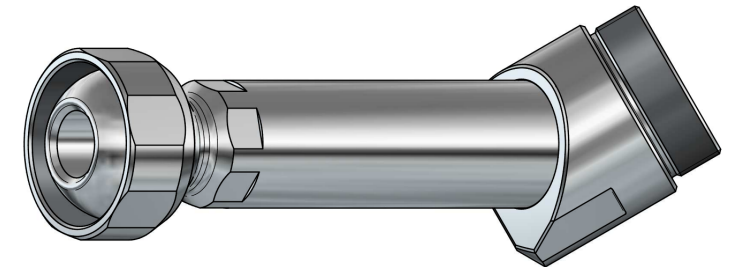
Internal Diameter: 9.5 [mm] (0.374")

Tooling: SW 26

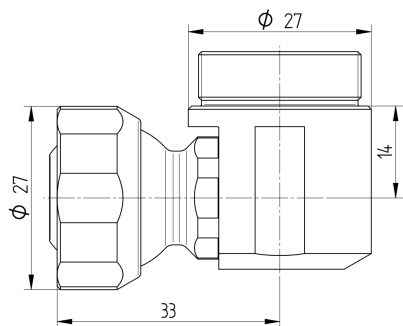
Material: Austenitic Stainless Steel / NBR (Buna-N)

Temperature Range: -30°C to 120°C (-20°F to 250°F)

## CH09-FL



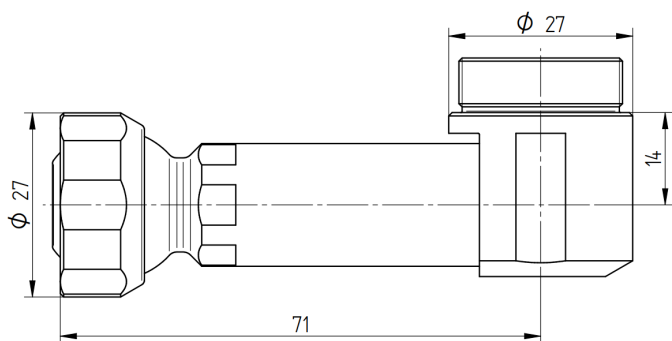
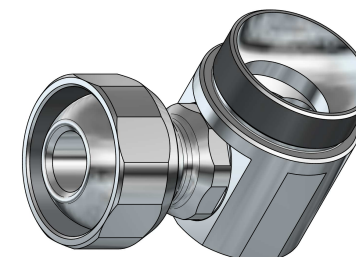
# CH09P



## S09 Chain Unit 90° Short

SmarTec Line: S09  
Angle: 90°  
External Diameter: 27 [mm] (1.06")  
Effective Length: 33, 14 [mm] (1.3", 0.55")  
Internal Diameter: 9.5 [mm] (0.374")  
Tooling: SW 26  
Material: Austenitic Stainless Steel / NBR (Buna-N)  
Temperature Range: -30°C to 120°C (-20°F to 250°F)

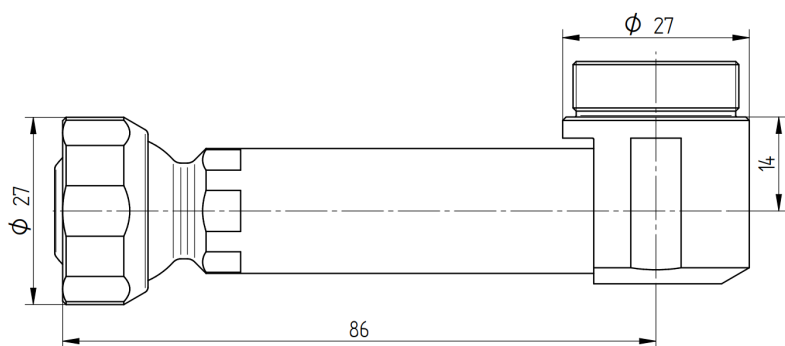
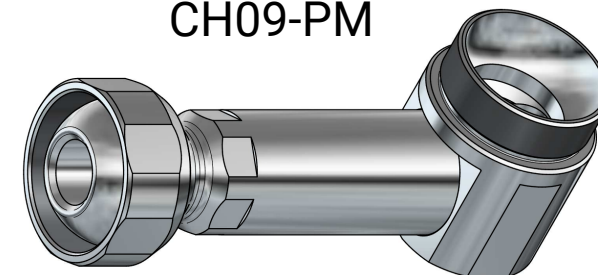
## CH09-PS



## S09 Chain Unit 90° Mean

SmarTec Line: S09  
Angle: 90°  
External Diameter: 27 [mm] (1.06")  
Effective Length: 71, 14 [mm] (2.8", 0.55")  
Internal Diameter: 9.5 [mm] (0.374")  
Tooling: SW 26  
Material: Austenitic Stainless Steel / NBR (Buna-N)  
Temperature Range: -30°C to 120°C (-20°F to 250°F)

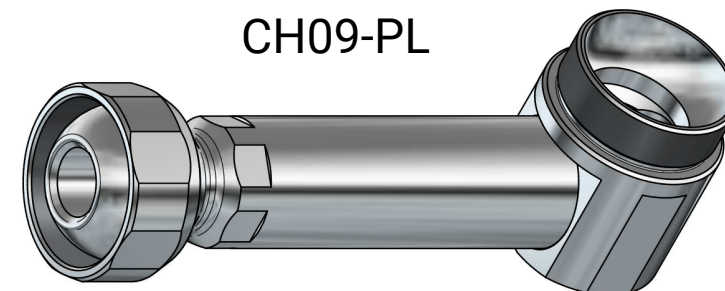
## CH09-PM



## S09 Chain Unit 90° Long

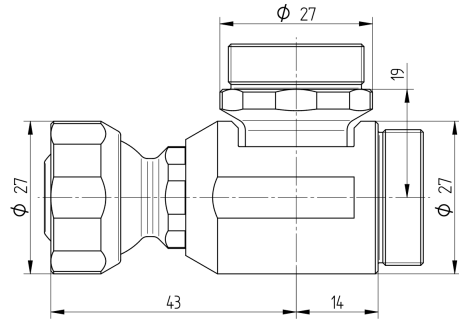
SmarTec Line: S09  
Angle: 90°  
External Diameter: 27 [mm] (1.06")  
Effective Length: 86, 14 [mm] (3.85", 0.55")  
Internal Diameter: 9.5 [mm] (0.374")  
Tooling: SW 26  
Material: Austenitic Stainless Steel / NBR (Buna-N)  
Temperature Range: -30°C to 120°C (-20°F to 250°F)

## CH09-PL



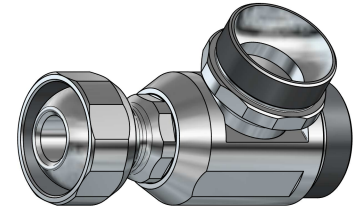
# CH09T

## S09 Chain Unit T Short

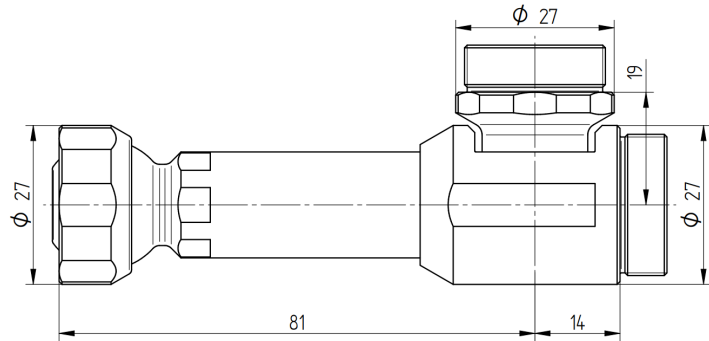


SmarTec Line: S09  
Angle: 90° + 90°  
External Diameter: 27 [mm] (1.06")  
Effective Length: 43, 14, 19 [mm] (1.7", 0.55", 0.75")  
Internal Diameter: 9.5 [mm] (0.374")  
Tooling: SW 26  
Material: Austenitic Stainless Steel / NBR (Buna-N)  
Temperature Range: -30°C to 120°C (-20°F to 250°F)

## CH09-TS

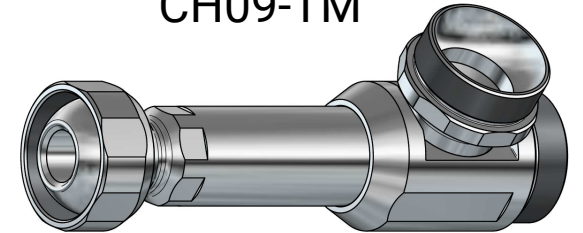


## S09 Chain Unit T Mean

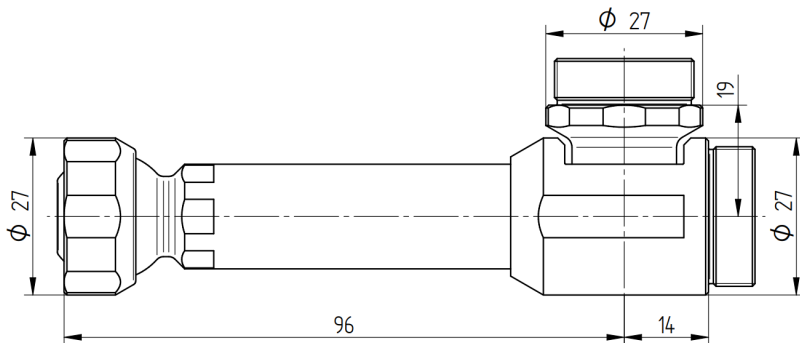


SmarTec Line: S09  
Angle: 90° + 90°  
External Diameter: 27 [mm] (1.06")  
Effective Length: 81, 14, 19 [mm] (3.2", 0.55", 0.75")  
Internal Diameter: 9.5 [mm] (0.374")  
Tooling: SW 26  
Material: Austenitic Stainless Steel / NBR (Buna-N)  
Temperature Range: -30°C to 120°C (-20°F to 250°F)

## CH09-TM

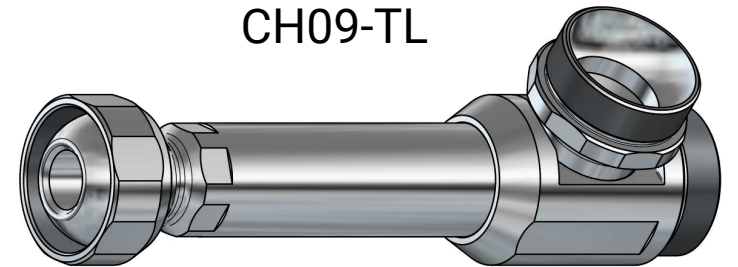


## S09 Chain Unit T Long

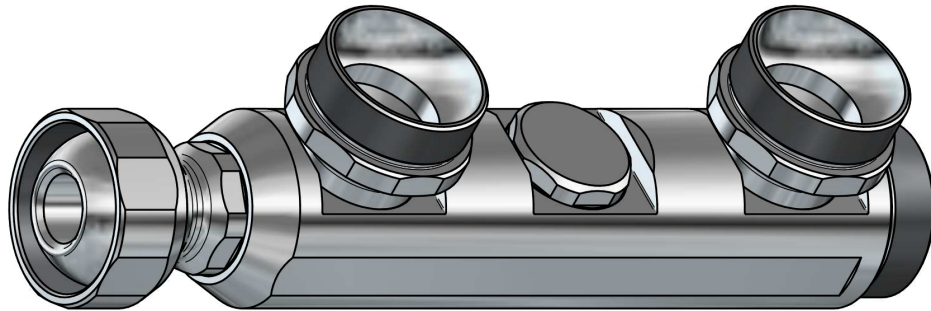
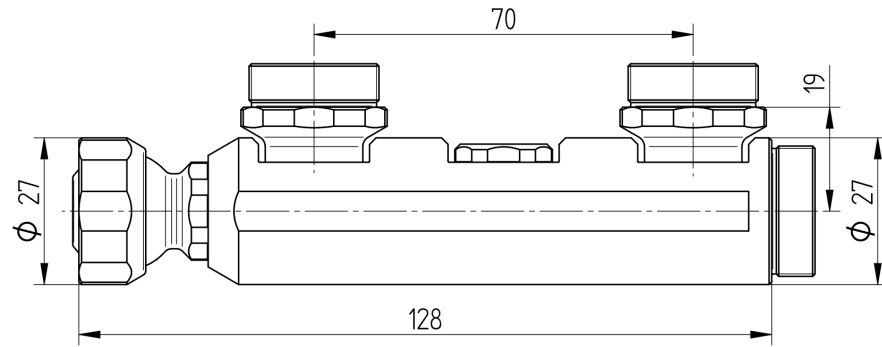


SmarTec Line: S09  
Angle: 90° + 90°  
External Diameter: 27 [mm] (1.06")  
Effective Length: 96, 14, 19 [mm] (3.78", 0.55", 0.75")  
Internal Diameter: 9.5 [mm] (0.374")  
Tooling: SW 26  
Material: Austenitic Stainless Steel / NBR (Buna-N)  
Temperature Range: -30°C to 120°C (-20°F to 250°F)

## CH09-TL



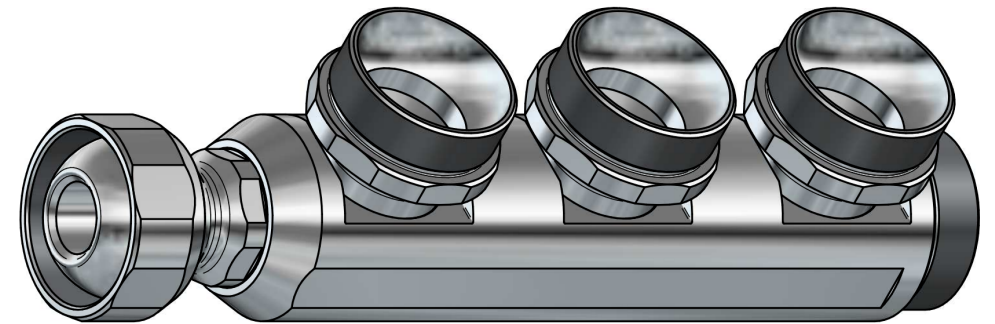
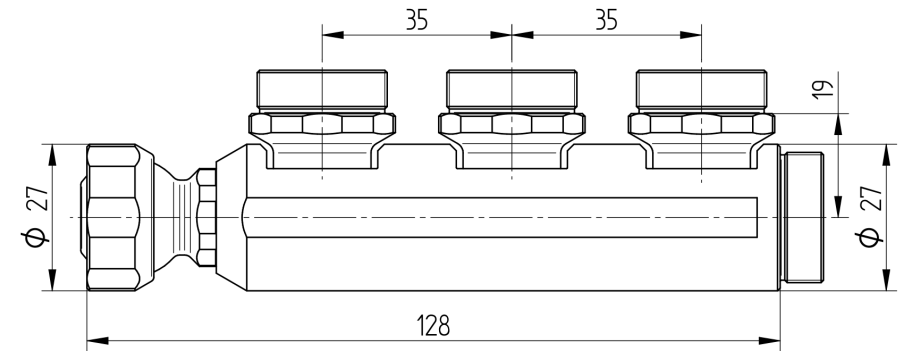
## CH09-TD



### S09 Chain Unit T Dual Exit

SmarTec Line: S09  
Angle: 90° + 90°  
No. of Exits: 2  
External Diameter: 27 [mm] (1.06")  
Effective Length: 128, 70 [mm] (5.0", 2.75")  
Internal Diameter: 9.5 [mm] (0.374")  
Tooling: SW 26  
Material: Austenitic Stainless Steel / NBR (Buna-N)  
Temperature Range: -30°C to 120°C (-20°F to 250°F)

## CH09-TT

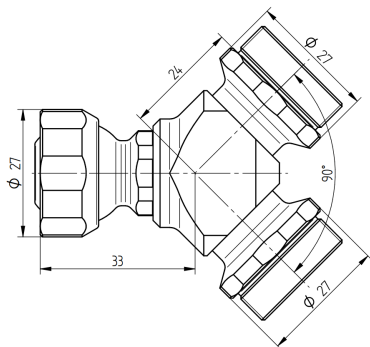


### S09 Chain Unit T Triple Exit

SmarTec Line: S09  
Angle: 90° + 90°  
No. of Exits: 3  
External Diameter: 27 [mm] (1.06")  
Effective Length: 128, 35 [mm] (5.0", 1.38")  
Internal Diameter: 9.5 [mm] (0.374")  
Tooling: SW 26  
Material: Austenitic Stainless Steel / NBR (Buna-N)  
Temperature Range: -30°C to 120°C (-20°F to 250°F)

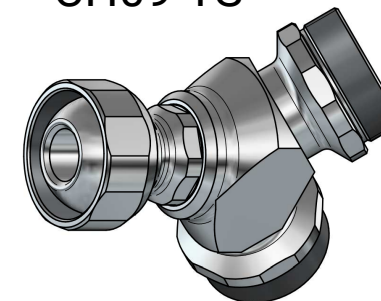
# CH09Y

## S09 Chain Unit Y Short

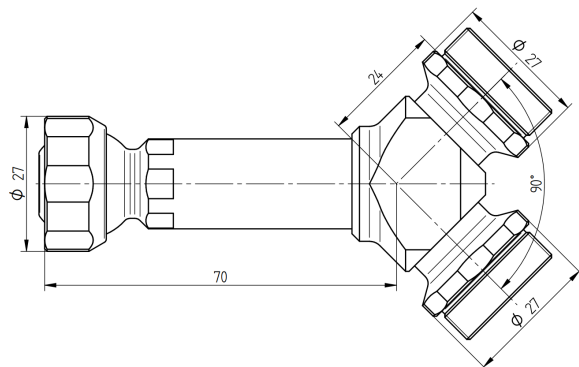


SmarTec Line: S09  
Angle: 45° + 45°  
External Diameter: 27 [mm] (1.06")  
Effective Length: 33, 24, 24 [mm] (1.3", 0.94", 0.94")  
Internal Diameter: 9.5 [mm] (0.374")  
Tooling: SW 26  
Material: Austenitic Stainless Steel / NBR (Buna-N)  
Temperature Range: -30°C to 120°C (-20°F to 250°F)

## CH09-YS

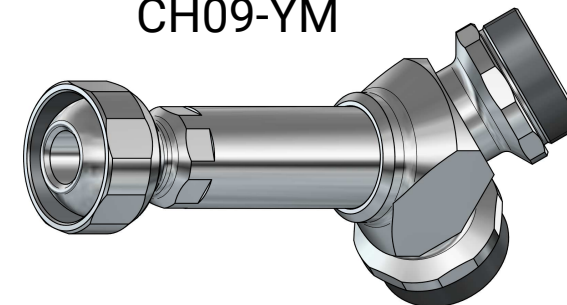


## S09 Chain Unit Y Mean

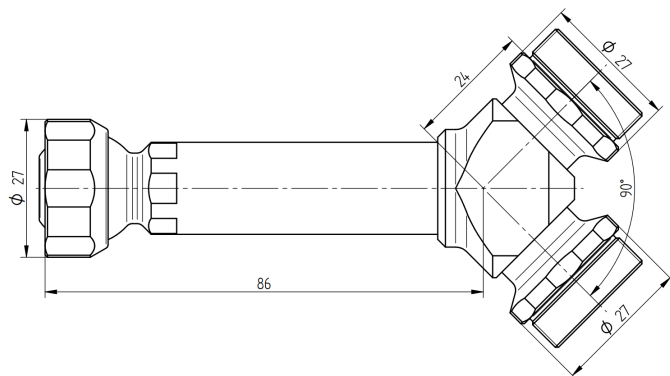


SmarTec Line: S09  
Angle: 45° + 45°  
External Diameter: 27 [mm] (1.06")  
Effective Length: 70, 24, 24 [mm] (2.755", 0.94", 0.94")  
Internal Diameter: 9.5 [mm] (0.374")  
Tooling: SW 26  
Material: Austenitic Stainless Steel / NBR (Buna-N)  
Temperature Range: -30°C to 120°C (-20°F to 250°F)

## CH09-YM

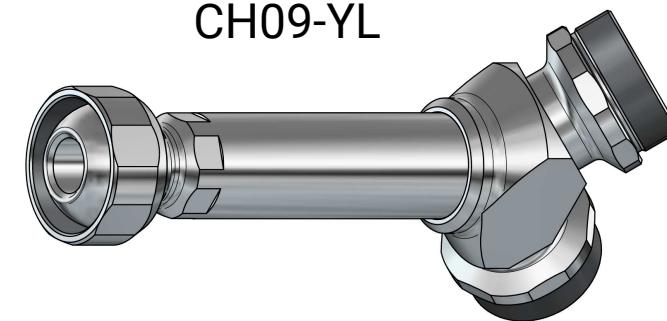


## S09 Chain Unit Y Long



SmarTec Line: S09  
Angle: 45° + 45°  
External Diameter: 27 [mm] (1.06")  
Effective Length: 86, 24, 24 [mm] (3.385", 0.94", 0.94")  
Internal Diameter: 9.5 [mm] (0.374")  
Tooling: SW 26  
Material: Austenitic Stainless Steel / NBR (Buna-N)  
Temperature Range: -30°C to 120°C (-20°F to 250°F)

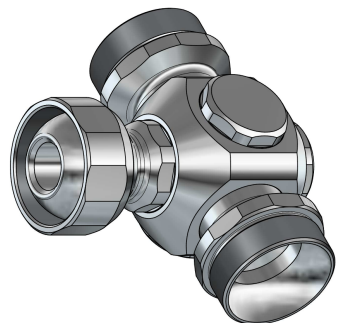
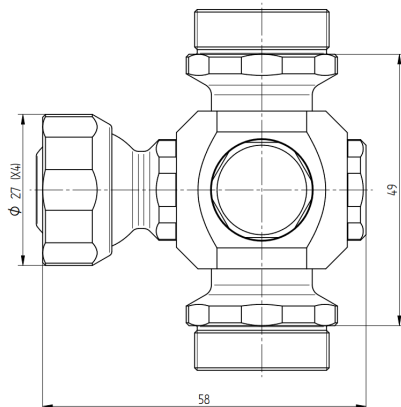
## CH09-YL





# CH09X

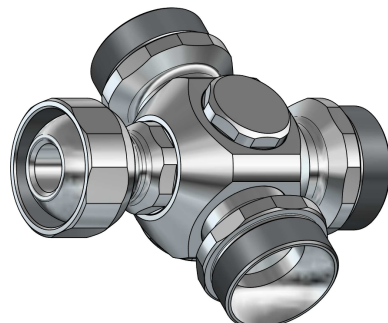
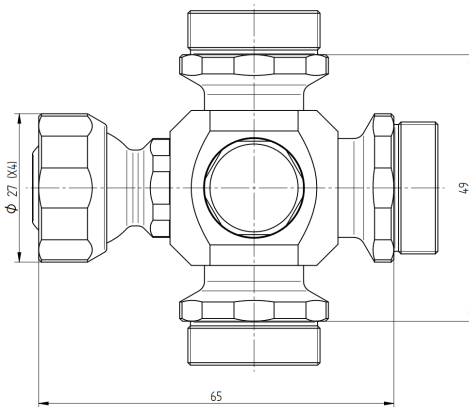
## CH09-X2



### S09 Chain Unit X2 Exits

SmarTec Line: S09  
Angle: 90°  
No. of Exits: 2  
External Diameter: 27 [mm] (1.06")  
Effective Length: 58, 49 [mm] (2.28", 1.93")  
Internal Diameter: 9.5 [mm] (0.374")  
Tooling: SW 26  
Material: Austenitic Stainless Steel / NBR (Buna-N)  
Temperature Range: -30°C to 120°C (-20°F to 250°F)

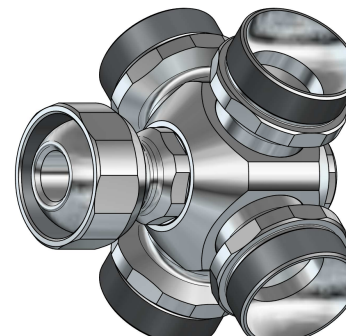
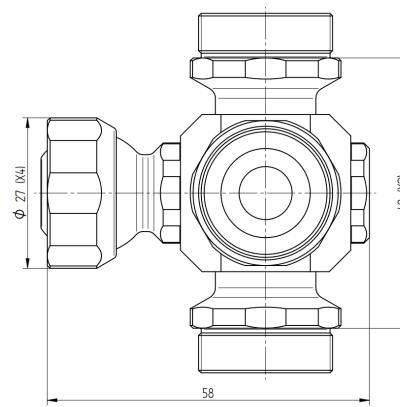
## CH09-X3



### S09 Chain Unit X3 Exits

SmarTec Line: S09  
Angle: 90°  
No. of Exits: 3  
External Diameter: 27 [mm] (1.06")  
Effective Length: 65, 49 [mm] (2.56", 1.93")  
Internal Diameter: 9.5 [mm] (0.374")  
Tooling: SW 26  
Material: Austenitic Stainless Steel / NBR (Buna-N)  
Temperature Range: -30°C to 120°C (-20°F to 250°F)

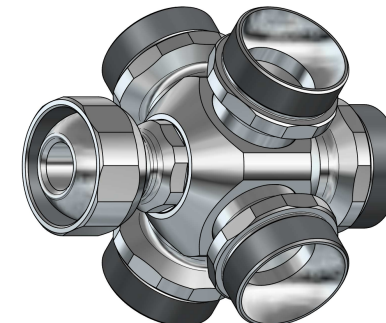
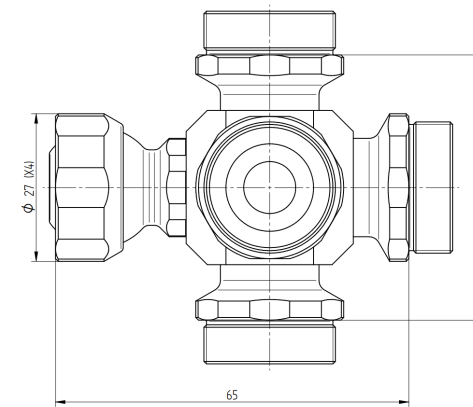
## CH09-X4



### S09 Chain Unit X4 Exits

SmarTec Line: S09  
Angle: 90°  
No. of Exits: 4  
External Diameter: 27 [mm] (1.06")  
Effective Length: 58, 49 [mm] (2.28", 1.93")  
Internal Diameter: 9.5 [mm] (0.374")  
Tooling: SW 26  
Material: Austenitic Stainless Steel / NBR (Buna-N)  
Temperature Range: -30°C to 120°C (-20°F to 250°F)

## CH09-X5

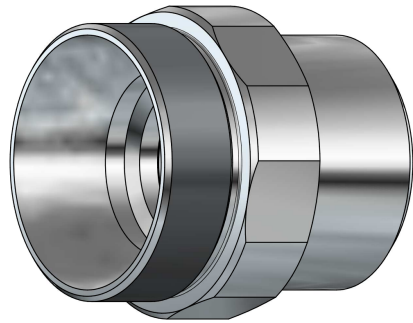
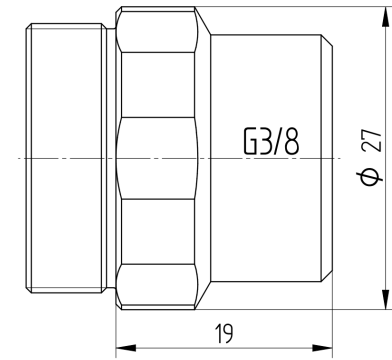


### S09 Chain Unit X5 Exits

SmarTec Line: S09  
Angle: 90°  
No. of Exits: 5  
External Diameter: 27 [mm] (1.06")  
Effective Length: 65, 49 [mm] (2.56", 1.93")  
Internal Diameter: 9.5 [mm] (0.374")  
Tooling: SW 26  
Material: Austenitic Stainless Steel / NBR (Buna-N)  
Temperature Range: -30°C to 120°C (-20°F to 250°F)

# CH09E

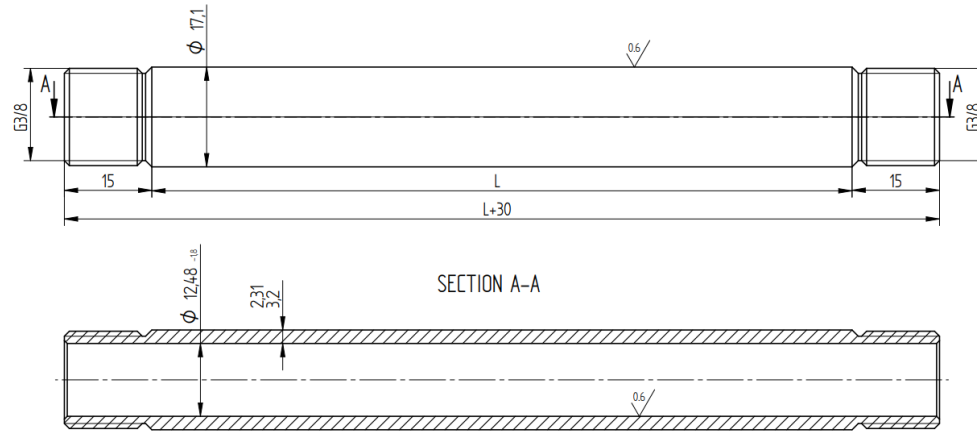
## CH09-EF



## S09 Chain Unit Extension Front Adaptor

SmarTec Line: S09  
External Diameter: 27 [mm] (1.06")  
Effective Length: 19 [mm] (0.75")  
Internal Diameter: 9.5 [mm] (0.374")  
Thread: G3/8  
Tooling: SW 26  
Material: Austenitic Stainless Steel  
Temperature Range: -30°C to 120°C (-20°F to 250°F)

Pipe Seamless Schedules 40 / 80

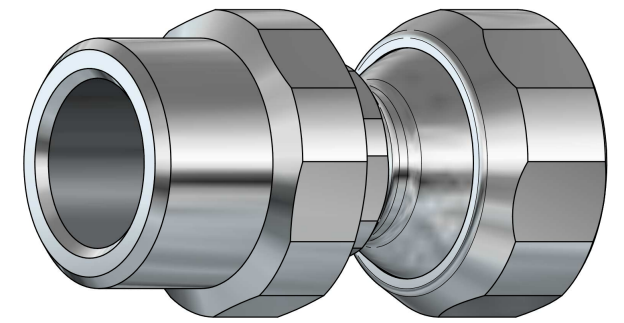
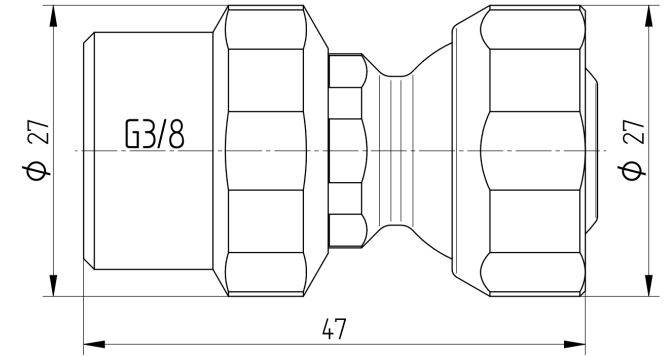


## S09 Chain Unit Pipe Extension



Pipe Size - 3/8  
Pipe for CH09E

## CH09-ER

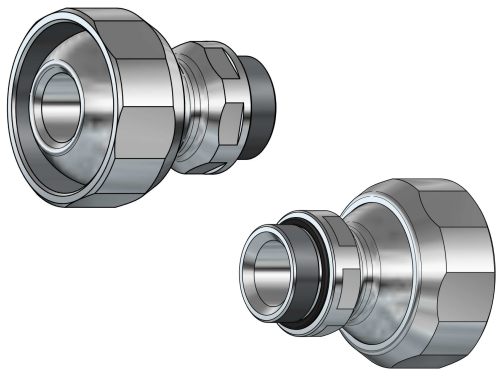
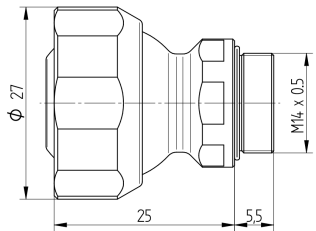


## S09 Chain Unit Extension Rear Adaptor

SmarTec Line: S09  
External Diameter: 27 [mm] (1.06")  
Effective Length: 47 [mm] (1.85")  
Internal Diameter: 9.5 [mm] (0.374")  
Thread: G3/8  
Tooling: SW 26  
Material: Austenitic Stainless Steel / NBR (Buna-N)  
Temperature Range: -30°C to 120°C (-20°F to 250°F)



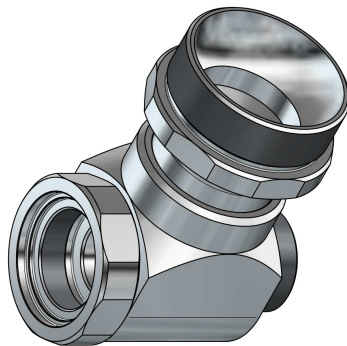
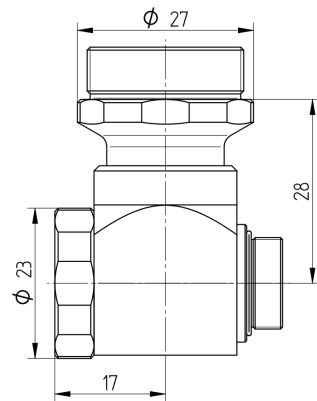
## CH09-RF



### S09 Chain unit F. Connector

SmarTec Line: S09  
 Destination: Front Connector to CH09-RO  
 External Diameter: 27 [mm] (1.06")  
 Effective Length: 25 [mm] (0.98")  
 Tooling: SW26  
 Material: Austenitic Stainless Steel  
 Temperature Range: -30°C to 120°C (-20°F to 250°F)

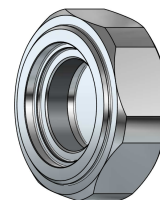
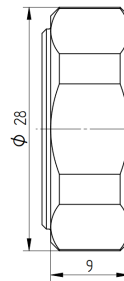
## CH09-RO



### S09 Chain Unit Modular Swivel

SmarTec Line: S09  
 Angle: 90° + 90°  
 External Diameter: 23, 28 [mm] (0.9", 1.1")  
 Effective Length: 17, 28 [mm] (0.67", 1.1")  
 Internal Diameter: 9.5 [mm] (0.374")  
 Tooling: SW 22, SW26  
 Material: Austenitic Stainless Steel / NBR (Buna-N)  
 Temperature Range: -30°C to 120°C (-20°F to 250°F)

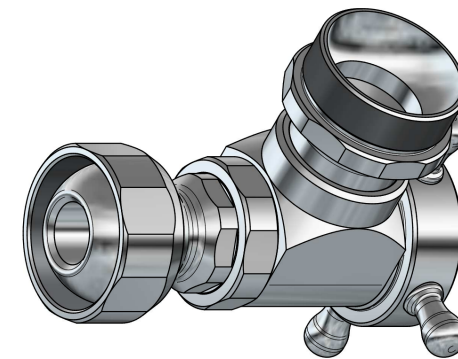
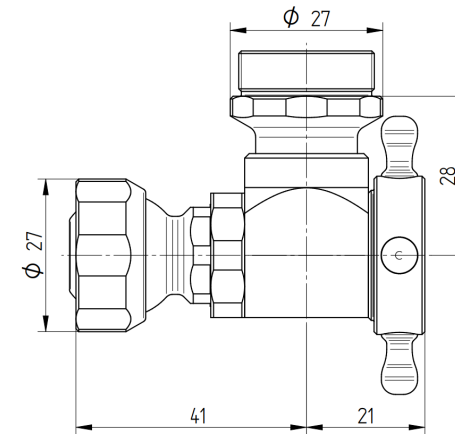
## CH09-RC



### S09 Chain unit Cup

SmarTec Line: S09  
 Destination: Plug to CH09-RO  
 External Diameter: 28 [mm] (1.1")  
 Effective Length: 9 [mm] (0.35")  
 Tooling: SW26  
 Material: Austenitic Stainless Steel  
 Temperature Range: -30°C to 120°C (-20°F to 250°F)

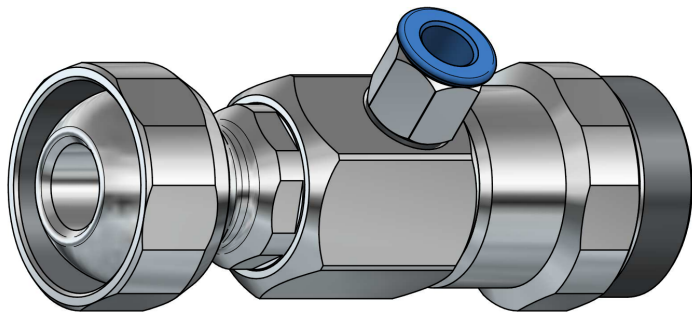
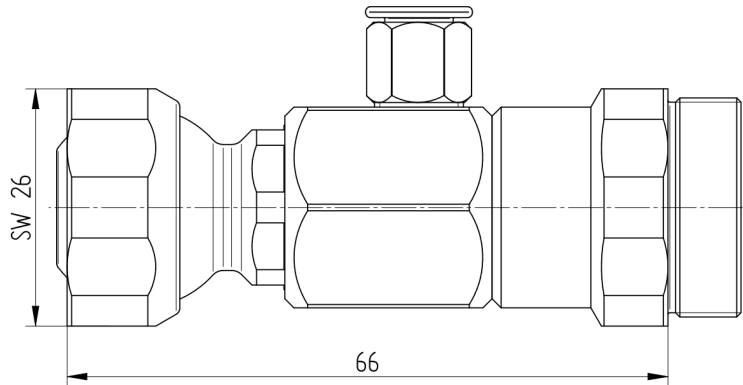
## CH09-RS



### S09 Chain Unit Swivel

SmarTec Line: S09  
 Angle: 90° + 90°  
 External Diameter: 27 [mm] (1.06")  
 Effective Length: 41, 21, 28 [mm] (1.6", 0.827", 1.1")  
 Internal Diameter: 9.5 [mm] (0.374")  
 Tooling: SW 26  
 Material: Austenitic Stainless Steel / NBR (Buna-N)  
 Temperature Range: -30°C to 120°C (-20°F to 250°F)

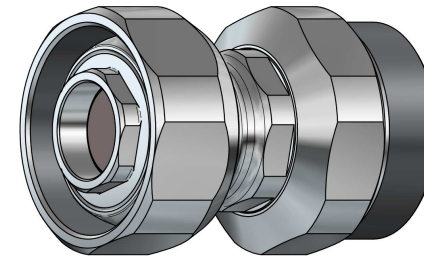
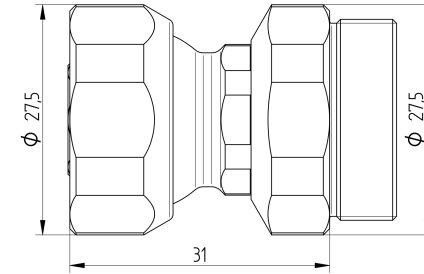
## CH09-MZ



### S09 Chain Unit Atomizer

SmarTec Line: S09  
External Diameter: 27 [mm] (1.06")  
Effective Length: 66 [mm] (2.6")  
Internal Diameter: 9.5 [mm] (0.37")  
Air Tube: 6X4  
Tooling: SW 26  
Material: Austenitic Stainless Steel  
Temperature Range: -30°C to 120°C (-20°F to 250°F)

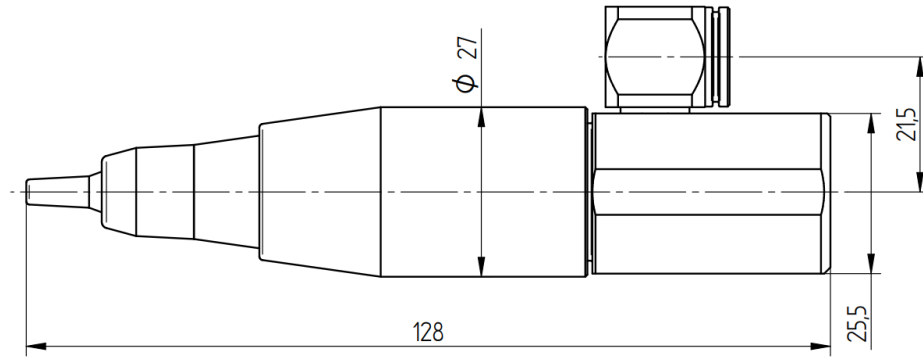
## CH09-CV01



### S09 Check Valve

SmarTec Line: S09  
External Diameter: 27 [mm] (1.06")  
Effective Length: 31 [mm] (1.22")  
Internal Diameter: 9.5 [mm] (0.37")  
Tooling: SW 26  
Material: Austenitic Stainless Steel  
Temperature Range: -30°C to 120°C (-20°F to 250°F)

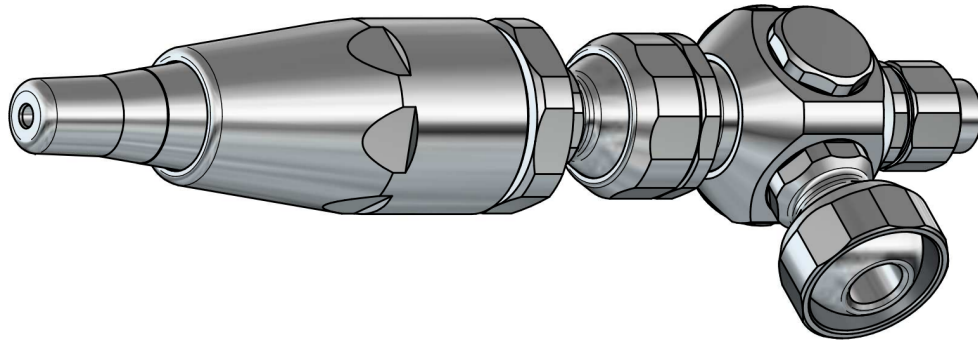
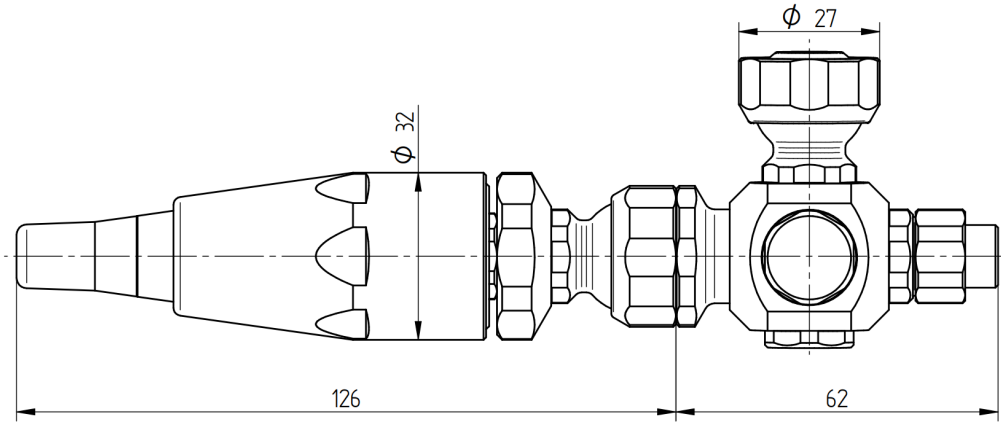
# JD09



## S09 Smart Jet

SmarTec Line: S09  
Chain Adaptor: AJ09  
External Diameter: 27 [mm] (1.06")  
Effective Length: 128, 21.5 [mm] (5.04", 0.846")  
Internal Diameter: 9.5 [mm] (0.374")  
Thread: G1/2  
Material: Austenitic Stainless Steel / NBR (Buna-N)  
Temperature Range: -30°C to 120°C (-20°F to 250°F)

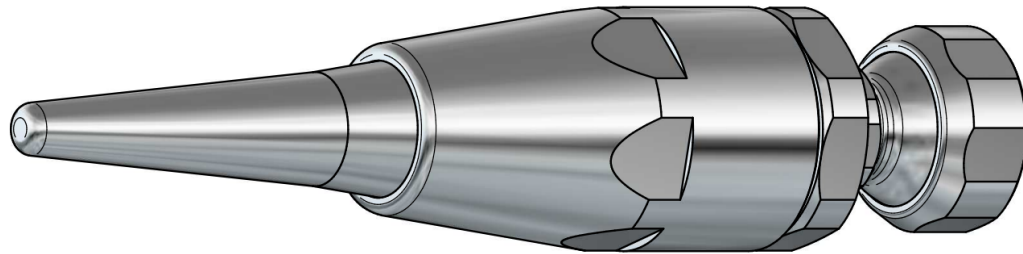
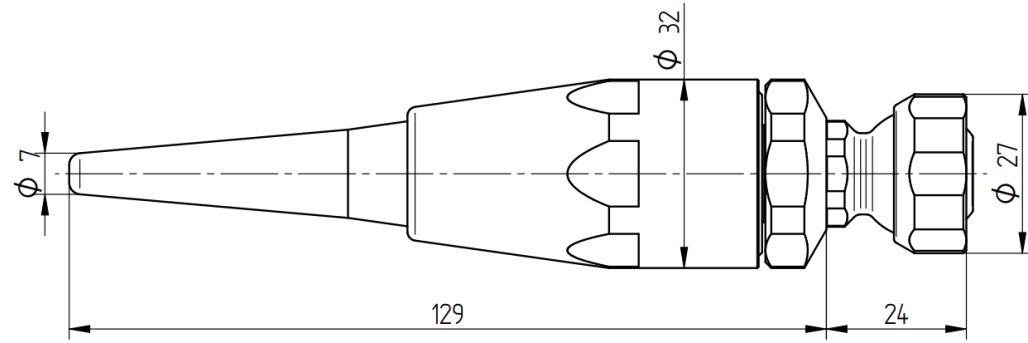
# JX09



## S09 Extreme Jet

SmarTec Line: S09  
External Diameter: 32 [mm] (1.26")  
Effective Length: 126, 62 [mm] (5", 2.4")  
Internal Diameter: 7.5 [mm] (0.3")  
Tooling: SW 26, SW 17  
Air Connection: G1/8  
Material: Austenitic Stainless Steel / NBR (Buna-N)  
Temperature Range: -30°C to 120°C (-20°F to 250°F)

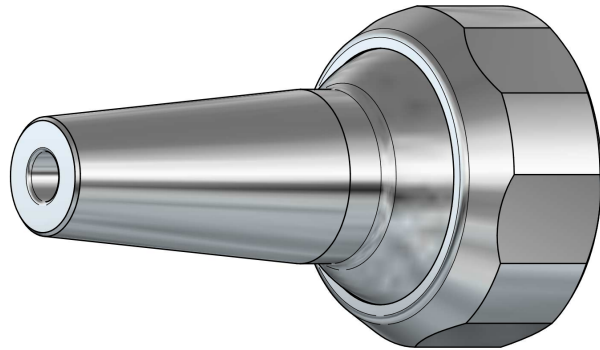
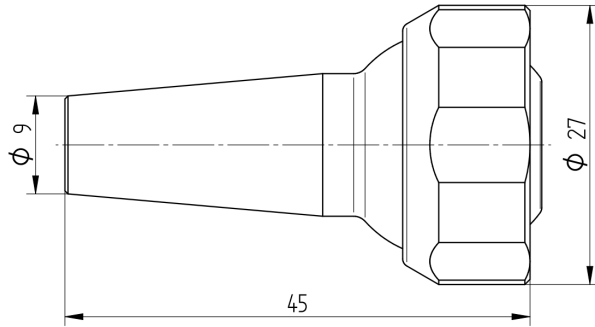
# JS09



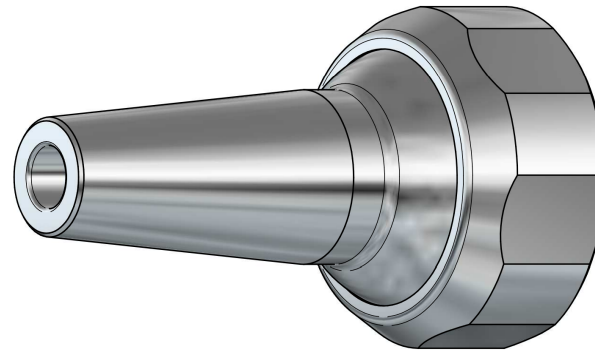
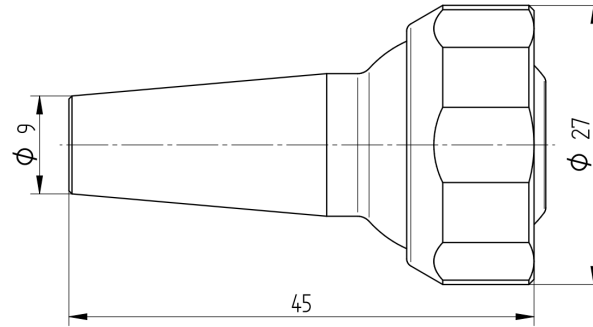
## S09 Adjustable Jet

SmarTec Line: S09  
External Diameter: 27 [mm] (1.06")  
Effective Length: 153 [mm] (6")  
Internal Diameter: 9.5 [mm] (0.374")  
Tooling: SW 26  
Material: Austenitic Stainless Steel / NBR (Buna-N)  
Temperature Range: -30°C to 120°C (-20°F to 250°F)

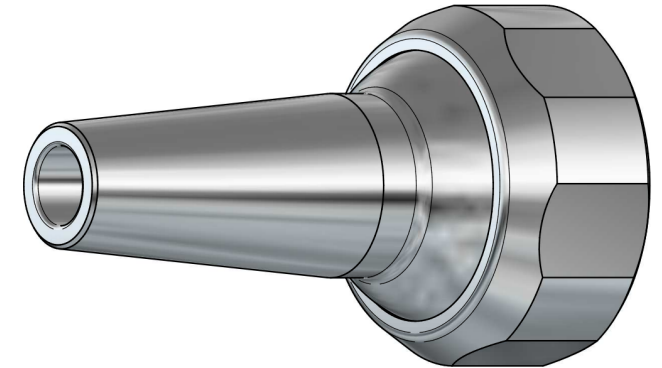
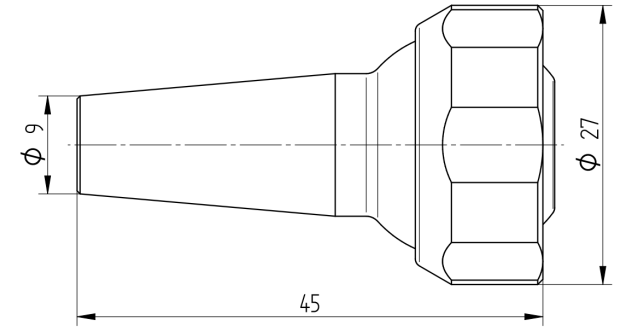
## JH09-D40



## JH09-D50



## JH09-D60



### S09 Chain Jet Basic 4 mm

SmarTec Line: S09  
External Diameter: 27 [mm] (1.06")  
Effective Length: 45 [mm] (1.77")  
Jet Diameter: 4 [mm] (0.16")  
Tooling: SW 26  
Material: Austenitic Stainless Steel / NBR (Buna-N)  
Temperature Range: -30°C to 120°C (-20°F to 250°F)

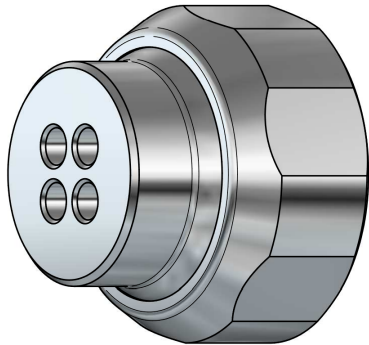
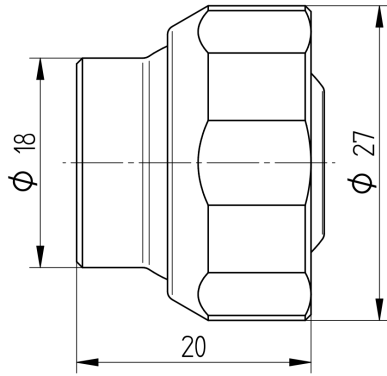
### S09 Chain Jet Basic 5 mm

SmarTec Line: S09  
External Diameter: 27 [mm] (1.06")  
Effective Length: 45 [mm] (1.77")  
Jet Diameter: 5 [mm] (0.2")  
Tooling: SW 26  
Material: Austenitic Stainless Steel / NBR (Buna-N)  
Temperature Range: -30°C to 120°C (-20°F to 250°F)

### S09 Chain Jet Basic 6 mm

SmarTec Line: S09  
External Diameter: 27 [mm] (1.06")  
Effective Length: 45 [mm] (1.77")  
Jet Diameter: 6 [mm] (0.24")  
Tooling: SW 26  
Material: Austenitic Stainless Steel / NBR (Buna-N)  
Temperature Range: -30°C to 120°C (-20°F to 250°F)

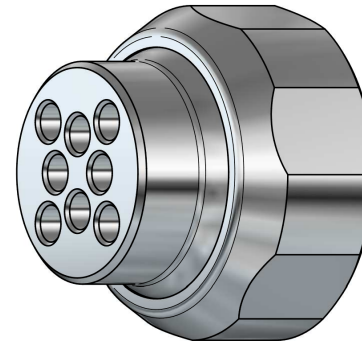
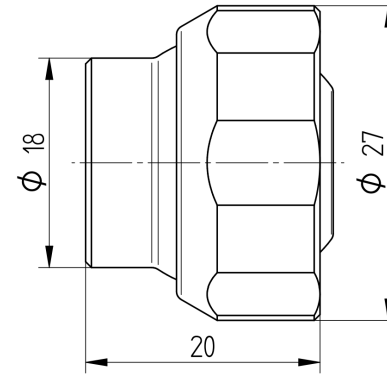
## JM09-A04



### S09 Chain Jet Basic 4 Jets

SmarTec Line: S09  
External Diameter: 27 [mm] (1.06")  
Effective Length: 20 [mm] (0.79")  
Jet Diameter: 3 [mm] (0.12")  
Number of Jets: 4  
Tooling: SW 26  
Material: Austenitic Stainless Steel / NBR (Buna-N)  
Temperature Range: -30°C to 120°C (-20°F to 250°F)

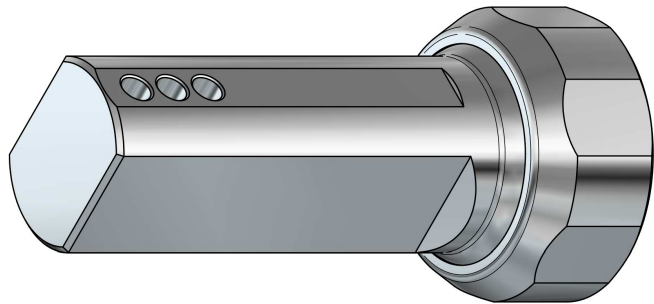
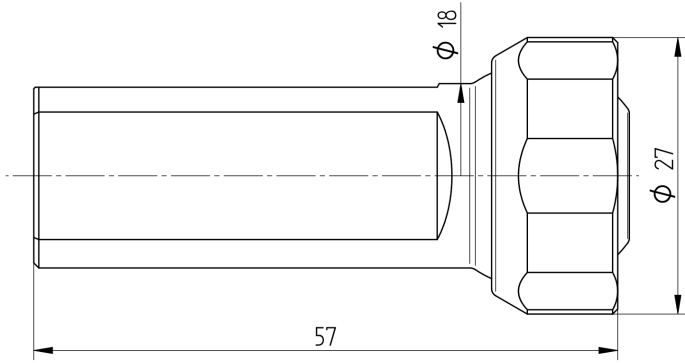
## JM09-A08



### S09 Chain Jet Basic 8 Jets

SmarTec Line: S09  
External Diameter: 27 [mm] (1.06")  
Effective Length: 20 [mm] (0.79")  
Jet Diameter: 3 [mm] (0.12")  
Number of Jets: 8  
Tooling: SW 26  
Material: Austenitic Stainless Steel / NBR (Buna-N)  
Temperature Range: -30°C to 120°C (-20°F to 250°F)

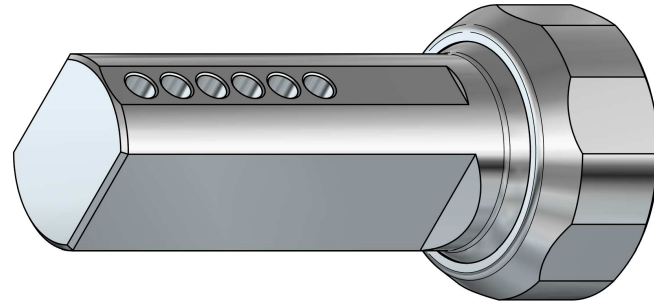
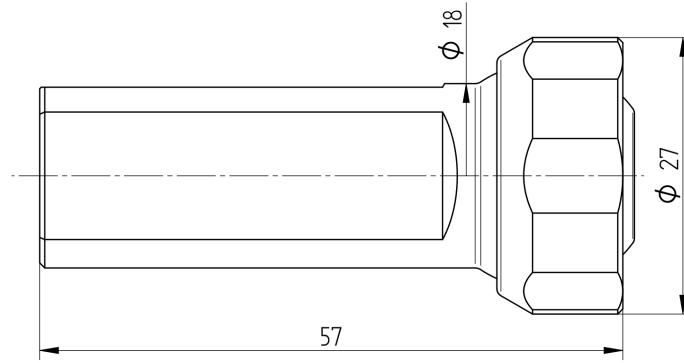
# JM09-P03



## S09 Chain Jet Extended 90° 3 Jets

SmarTec Line: S09  
 Angle: 90°  
 External Diameter: 27 [mm] (0.16")  
 Effective Length: 57 [mm] (2.24")  
 Jet Diameter: 3 [mm] (0.12")  
 Number of Jets: 3  
 Tooling: SW 26  
 Material: Austenitic Stainless Steel / NBR (Buna-N)  
 Temperature Range: -30°C to 120°C (-20°F to 250°F)

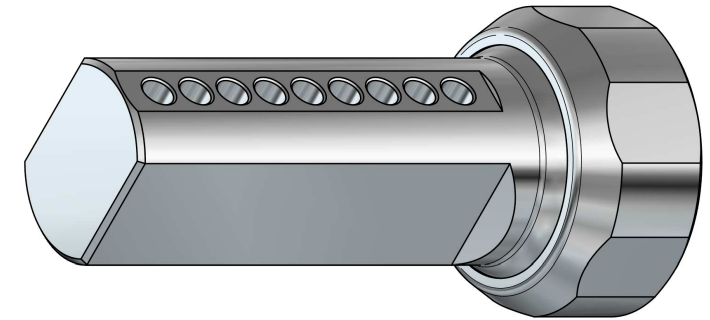
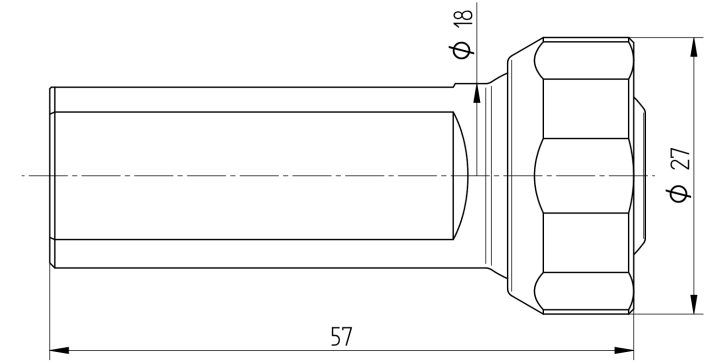
# JM09-P06



## S09 Chain Jet Extended 90° 6 Jets

SmarTec Line: S09  
 Angle: 90°  
 External Diameter: 27 [mm] (0.16")  
 Effective Length: 57 [mm] (2.24")  
 Jet Diameter: 3 [mm] (0.12")  
 Number of Jets: 6  
 Tooling: SW 26  
 Material: Austenitic Stainless Steel / NBR (Buna-N)  
 Temperature Range: -30°C to 120°C (-20°F to 250°F)

# JM09-P09

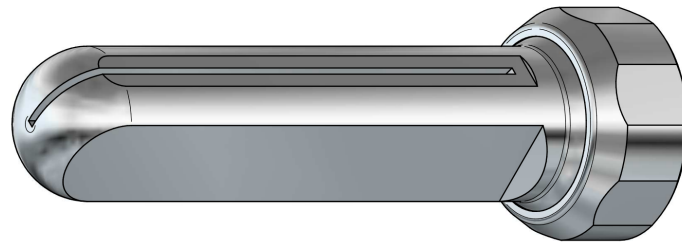
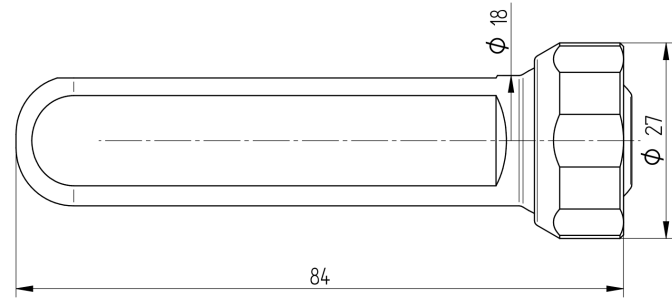


## S09 Chain Jet Extended 90° 9 Jets

SmarTec Line: S09  
 Angle: 90°  
 External Diameter: 27 [mm] (0.16")  
 Effective Length: 57 [mm] (2.24")  
 Jet Diameter: 3 [mm] (0.12")  
 Number of Jets: 9  
 Tooling: SW 26  
 Material: Austenitic Stainless Steel / NBR (Buna-N)  
 Temperature Range: -30°C to 120°C (-20°F to 250°F)



# JM09-S70



## S09 Chain Slot-Jet

SmarTec Line: S09

Slot Length: 65 [mm] (2.56")

Slot Thickness: 1 [mm] (0.04")

External Diameter: 27 [mm] (0.16")

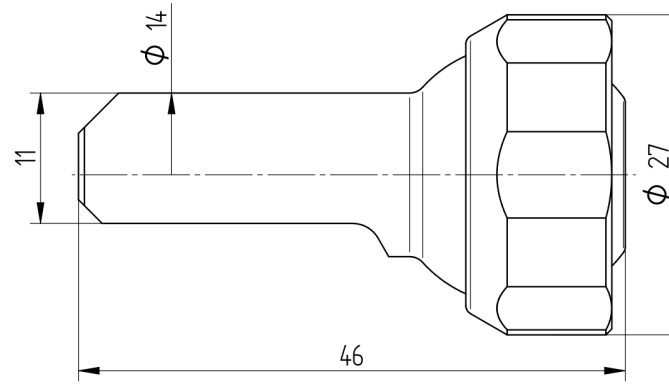
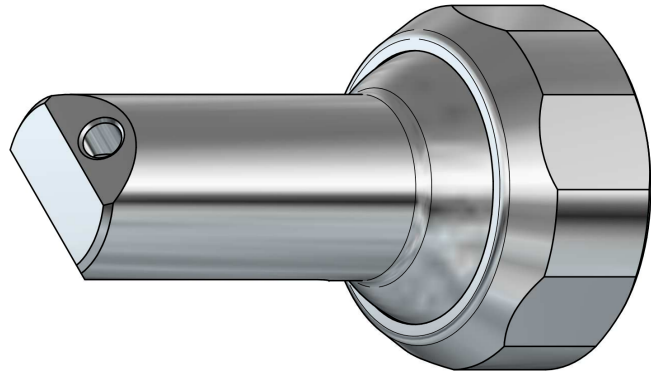
Effective Length: 84 [mm] (3.3")

Tooling: SW 26

Material: Austenitic Stainless Steel / NBR (Buna-N)

Temperature Range: -30°C to 120°C (-20°F to 250°F)

# JF09-D30



## S09 Chain Jet Extended 45° 3 mm

SmarTec Line: S09

Angle: 45°

External Diameter: 27 [mm] (1.06")

Effective Length: 46 [mm] (1.8")

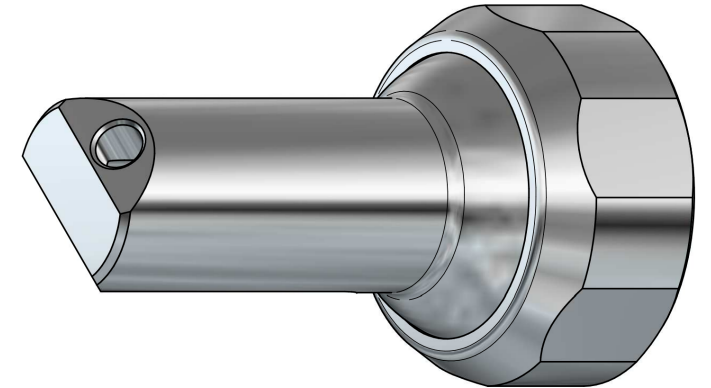
Jet Diameter: 3 [mm] (0.12")

Tooling: SW 26

Material: Austenitic Stainless Steel / NBR (Buna-N)

Temperature Range: -30°C to 120°C (-20°F to 250°F)

# JF09-D35



## S09 Chain Jet Extended 45° 3.5 mm

SmarTec Line: S09

Angle: 45°

External Diameter: 27 [mm] (1.06")

Effective Length: 46 [mm] (1.8")

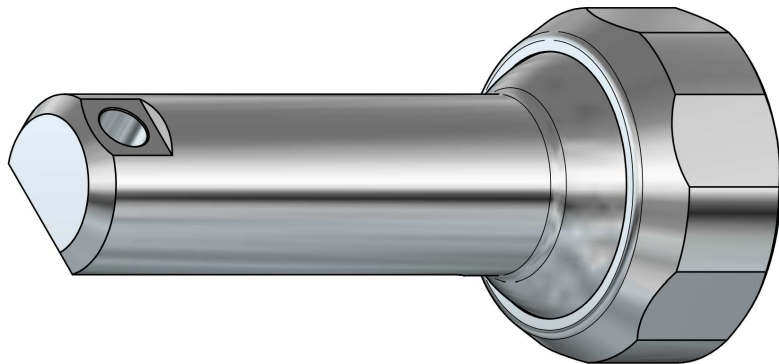
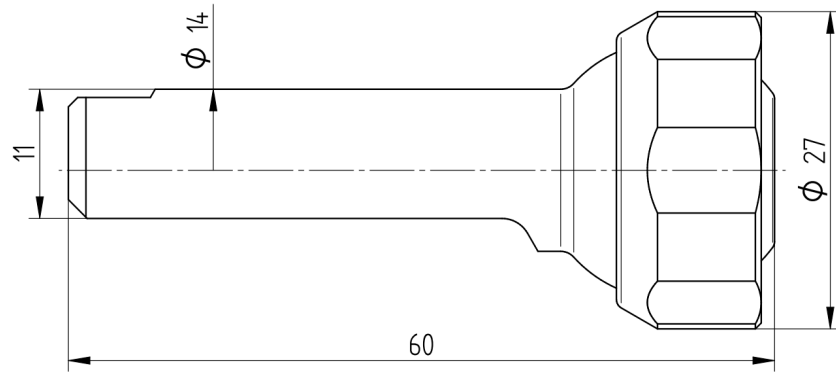
Jet Diameter: 3.5 [mm] (0.14")

Tooling: SW 26

Material: Austenitic Stainless Steel / NBR (Buna-N)

Temperature Range: -30°C to 120°C (-20°F to 250°F)

## JP09-D40



### S09 Chain Jet Extended 90° 4 mm

SmarTec Line: S09

Angle: 90°

External Diameter: 27 [mm] (1.06")

Effective Length: 60 [mm] (2.36")

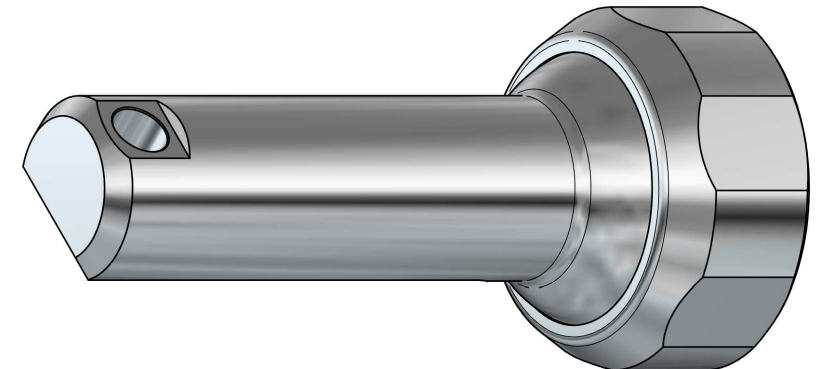
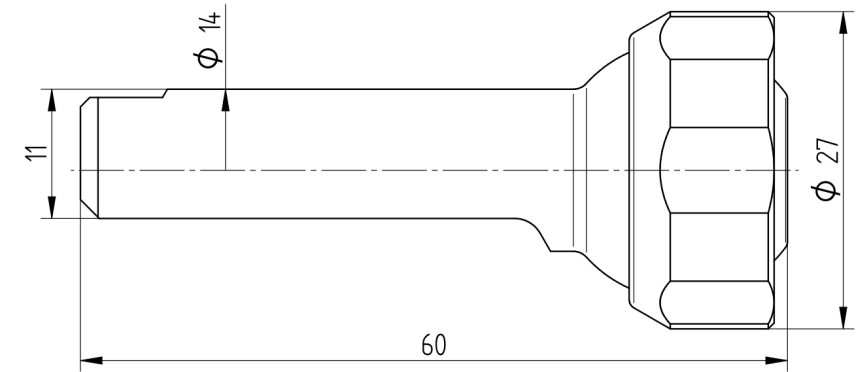
Jet Diameter: 4 [mm] (0.16")

Tooling: SW 26

Material: Austenitic Stainless Steel / NBR (Buna-N)

Temperature Range: -30°C to 120°C (-20°F to 250°F)

## JP09-D45



### S09 Chain Jet Extended 90° 4.5 mm

SmarTec Line: S09

Angle: 90°

External Diameter: 27 [mm] (1.06")

Effective Length: 60 [mm] (2.36")

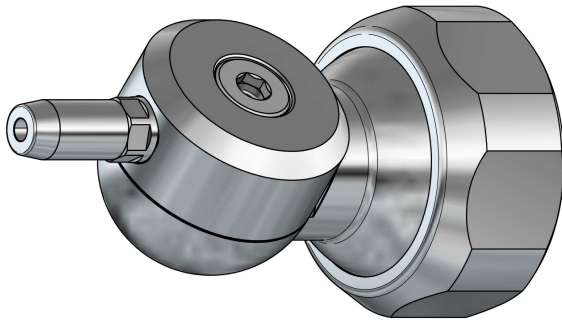
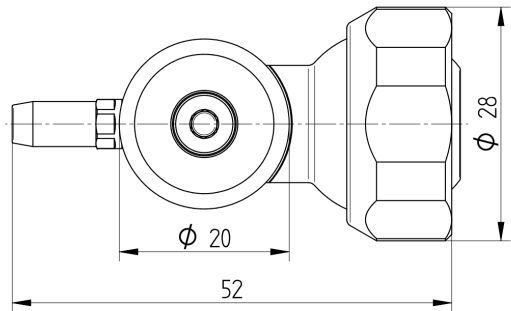
Jet Diameter: 4.5 [mm] (0.18")

Tooling: SW 26

Material: Austenitic Stainless Steel / NBR (Buna-N)

Temperature Range: -30°C to 120°C (-20°F to 250°F)

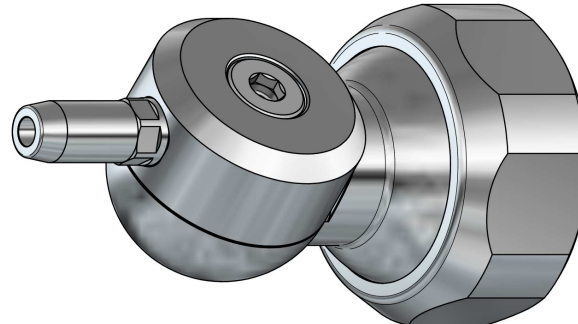
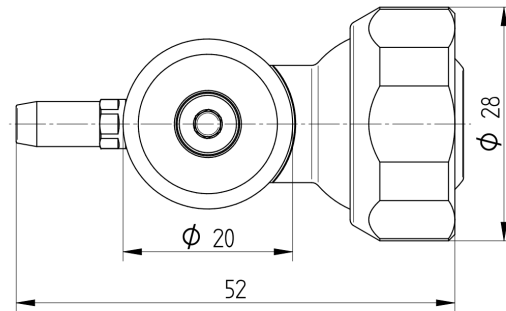
## JV09-D20



### S09 Chain Jet Variable 2 mm

SmarTec Line: S09  
Angle: Variable  
External Diameter: 27.5 [mm] (1.08")  
Effective Length: 52 [mm] (2.05")  
Jet Diameter: 2 [mm] (0.079")  
Tooling: SW 26  
Material: Austenitic Stainless Steel / NBR (Buna-N)  
Temperature Range: -30°C to 120°C (-20°F to 250°F)

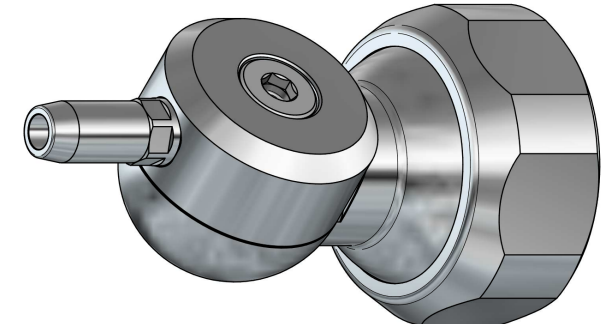
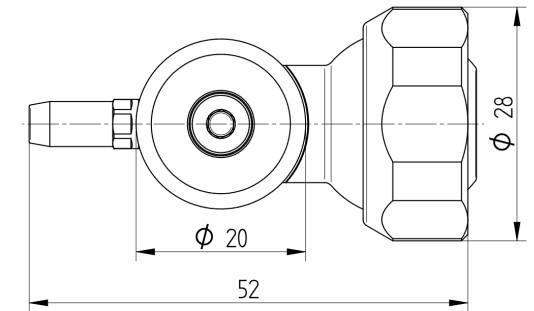
## JV09-D25



### S09 Chain Jet Variable 2.5 mm

SmarTec Line: S09  
Angle: Variable  
External Diameter: 27.5 [mm] (1.08")  
Effective Length: 52 [mm] (2.05")  
Jet Diameter: 2.5 [mm] (0.098")  
Tooling: SW 26  
Material: Austenitic Stainless Steel / NBR (Buna-N)  
Temperature Range: -30°C to 120°C (-20°F to 250°F)

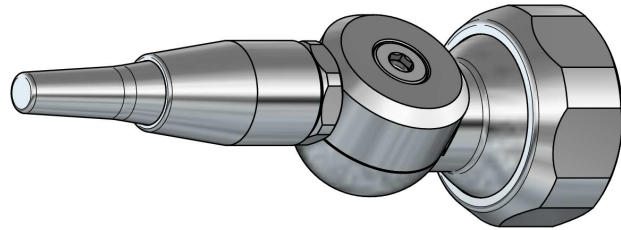
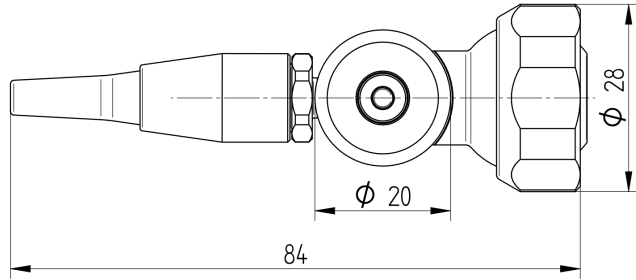
## JV09-D30



### S09 Chain Jet Variable 3 mm

SmarTec Line: S09  
Angle: Variable  
External Diameter: 27.5 [mm] (1.08")  
Effective Length: 52 [mm] (2.05")  
Jet Diameter: 3 [mm] (0.11")  
Tooling: SW 26  
Material: Austenitic Stainless Steel / NBR (Buna-N)  
Temperature Range: -30°C to 120°C (-20°F to 250°F)

# JV09-S06



## S09 Chain Jet Variable

SmarTec Line: S09

Angle: Variable

External Diameter: 32 [mm] (1.26")

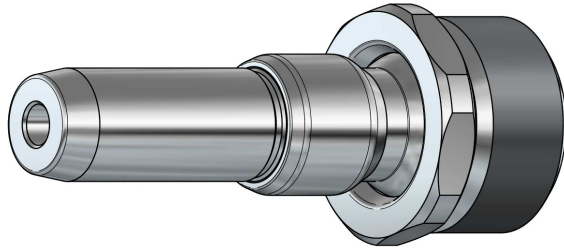
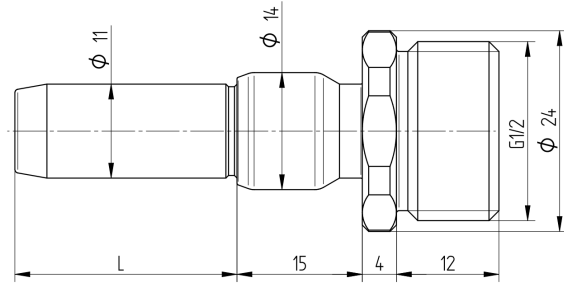
Effective Length: 84 [mm] (3.31")

Tooling: SW 30

Material: Austenitic Stainless Steel / NBR (Buna-N)

Temperature Range: -30°C to 120°C (-20°F to 250°F)

# JB09 - SML



Cat No.	L	D
JB09-S40	20	4.0
JB09-S60	20	6.0
JB09-S80	20	8.0
JB09-M40	40	4.0
JB09-M60	40	6.0
JB09-M80	40	8.0
JB09-L40	80	4.0
JB09-L60	80	6.0
JB09-L80	80	8.0

## S09 Block Jet Straight Modular

SmarTec Line: S09

External Diameter: 24 [mm] (0.945")

Effective Length: 39, 59, 99 [mm] (1.54", 2.3", 3.9")

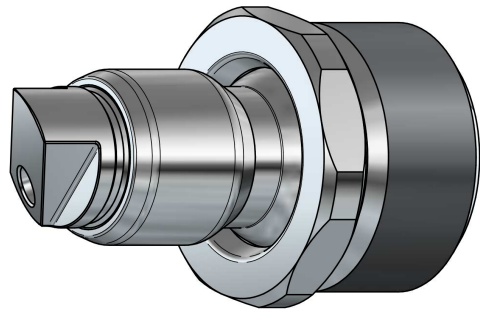
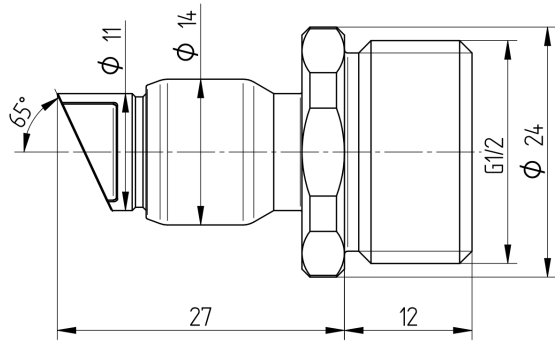
Jet Diameter: 4, 6, 8 [mm] (0.16", 0.24", 0.32")

Tooling: SW 22

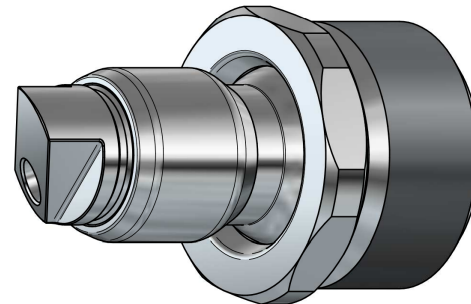
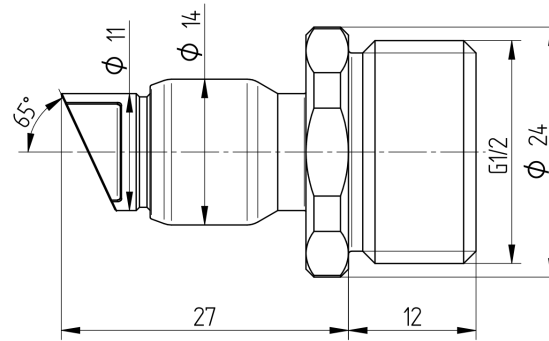
Material: Austenitic Stainless Steel / NBR (Buna-N)

Temperature Range: -30°C to 120°C (-20°F to 250°F)

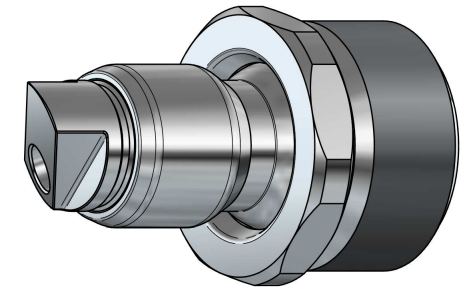
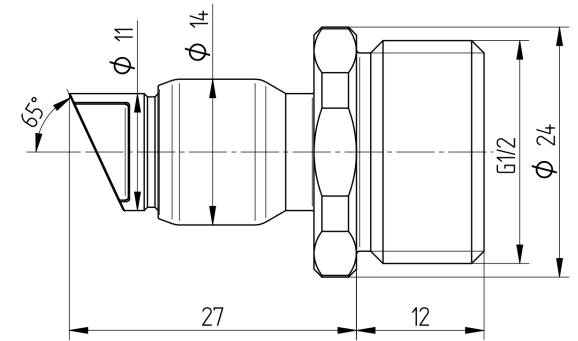
## JB09-V30



## JB09-V35



## JB09-V40



### S09 Block Jet 0° to 50° 3 mm

SmarTec Line: S09  
External Diameter: 24 [mm] (0.95")  
Effective Length: 27 [mm] (1.06")  
Jet Diameter: 3 [mm] (0.12")  
Max Horizontal Angle: 50°  
Min Horizontal Angle: 0°  
Tooling: SW 22  
Thread: G1/2  
Material: Austenitic Stainless Steel / NBR (Buna-N)  
Temperature Range: -30°C to 120°C (-20°F to 250°F)

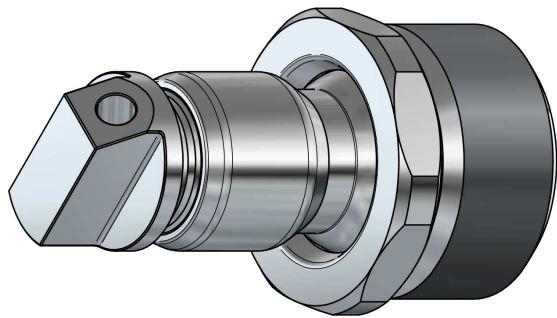
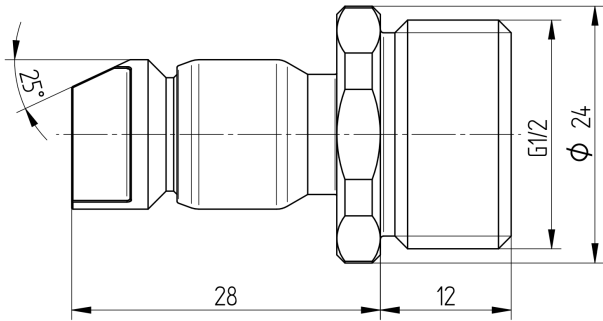
### S09 Block Jet 0° to 50° 3.5 mm

SmarTec Line: S09  
External Diameter: 24 [mm] (0.95")  
Effective Length: 27 [mm] (1.06")  
Jet Diameter: 3.5 [mm] (0.14")  
Max Horizontal Angle: 50°  
Min Horizontal Angle: 0°  
Tooling: SW 22  
Thread: G1/2  
Material: Austenitic Stainless Steel / NBR (Buna-N)  
Temperature Range: -30°C to 120°C (-20°F to 250°F)

### S09 Block Jet 0° to 50° 4 mm

SmarTec Line: S09  
External Diameter: 24 [mm] (0.95")  
Effective Length: 27 [mm] (1.06")  
Jet Diameter: 4 [mm] (0.16")  
Max Horizontal Angle: 50°  
Min Horizontal Angle: 0°  
Tooling: SW 22  
Thread: G1/2  
Material: Austenitic Stainless Steel / NBR (Buna-N)  
Temperature Range: -30°C to 120°C (-20°F to 250°F)

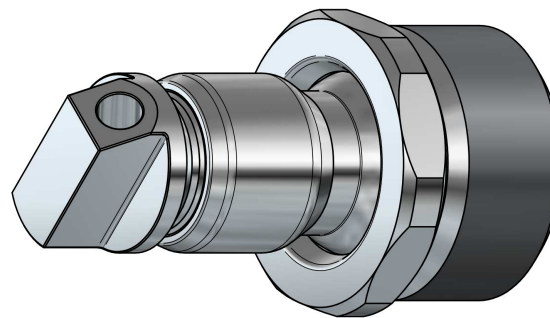
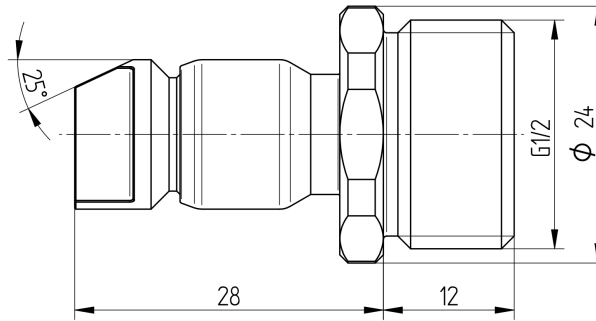
## JB09-W30



### S09 Block Jet 40° to 90° 3 mm

SmarTec Line: S09  
External Diameter: 24 [mm] (0.95")  
Effective Length: 28 [mm] (1.1")  
Jet Diameter: 3 [mm] (0.12")  
Max Horizontal Angle: 90°  
Min Horizontal Angle: 40°  
Tooling: SW 22  
Thread: G1/2  
Material: Austenitic Stainless Steel / NBR (Buna-N)  
Temperature Range: -30°C to 120°C (-20°F to 250°F)

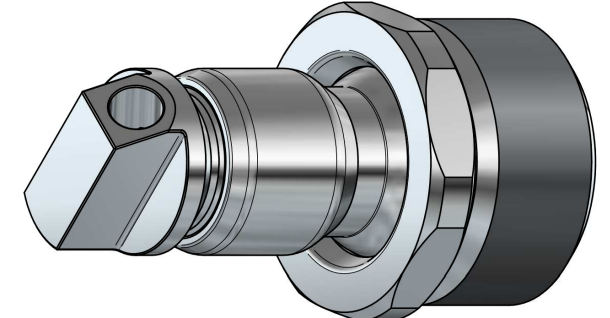
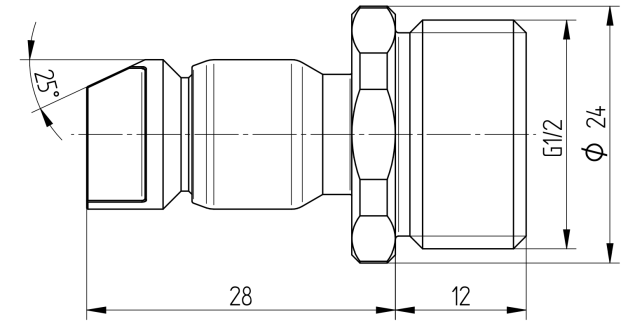
## JB09-W35



### S09 Block Jet 40° to 90° 3.5 mm

SmarTec Line: S09  
External Diameter: 24 [mm] (0.95")  
Effective Length: 28 [mm] (1.1")  
Jet Diameter: 3.5 [mm] (0.14")  
Max Horizontal Angle: 90°  
Min Horizontal Angle: 40°  
Tooling: SW 22  
Thread: G1/2  
Material: Austenitic Stainless Steel / NBR (Buna-N)  
Temperature Range: -30°C to 120°C (-20°F to 250°F)

## JB09-W40

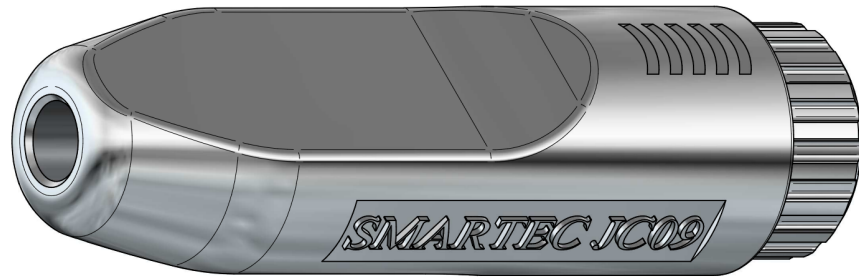
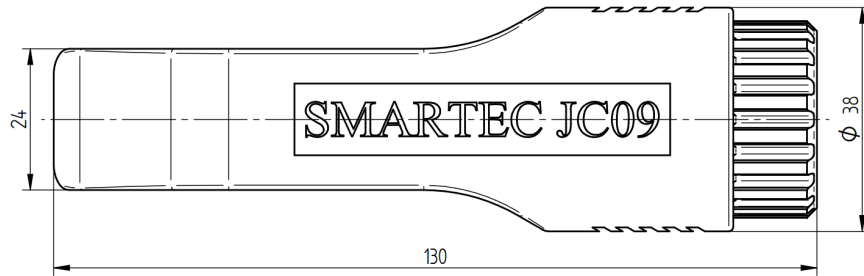


### S09 Block Jet 40° to 90° 4 mm

SmarTec Line: S09  
External Diameter: 24 [mm] (0.95")  
Effective Length: 28 [mm] (1.1")  
Jet Diameter: 4 [mm] (0.16")  
Max Horizontal Angle: 90°  
Min Horizontal Angle: 40°  
Tooling: SW 22  
Thread: G1/2  
Material: Austenitic Stainless Steel / NBR (Buna-N)  
Temperature Range: -30°C to 120°C (-20°F to 250°F)



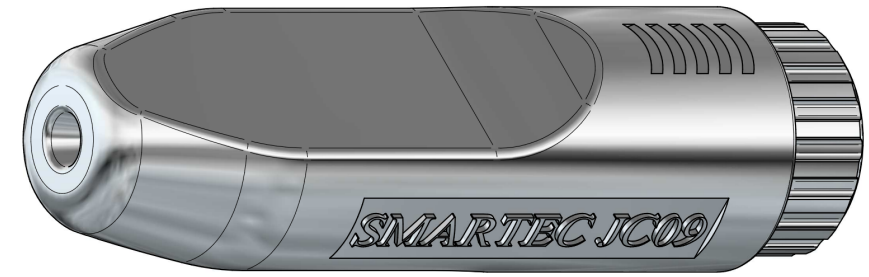
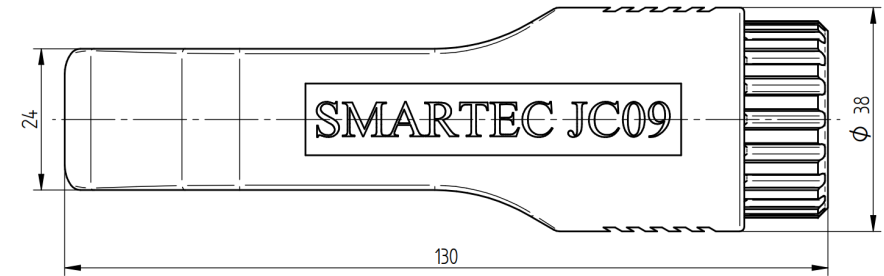
## JC09-TH



### S09 Vortex Tube Jet Thread G1/4 Exit

SmarTec Line: S09  
External Diameter: 38 [mm] (1.5")  
Effective Length: 130 [mm] (5.1")  
Internal Diameter: 5 [mm] (0.2")  
Inlet Thread: G3/4  
Exit Type: Thread G1/4  
Calibration Tooling: Allen 4  
Material: Polyamide  
Temperature Range: - 40°C to 120°C

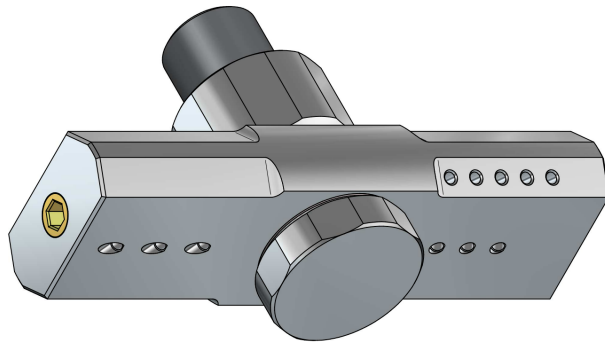
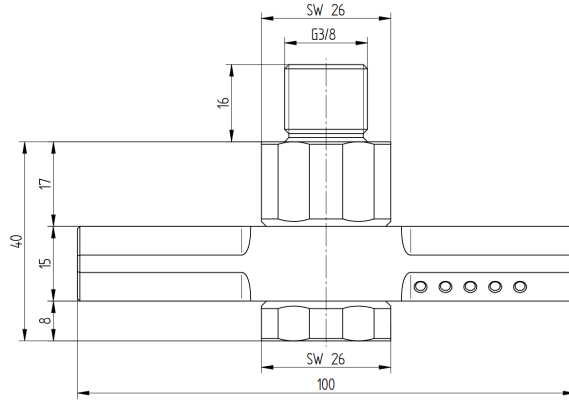
## JC09-CN



### S09 Vortex Tube Jet Conical Exit

SmarTec Line: S09  
External Diameter: 38 [mm] (1.5")  
Effective Length: 130 [mm] (5.1")  
Internal Diameter: 5 [mm] (0.2")  
Inlet Thread: G3/4  
Exit Type: Conical  
Calibration Tooling: Allen 4  
Material: Polyamide  
Temperature Range: - 40°C to 120°C

# JR09



## S09 Machine Cleaning Jet Self Rotating

SmarTec Line: S09

External Diameter: 100 [mm] (3.94")

Connecting Thread: G 3/8

Thread Length: 15 [mm] (0.6")

Effective Length: 40 [mm] (1.575")

Internal Diameter: 9.5 [mm] (0.374")

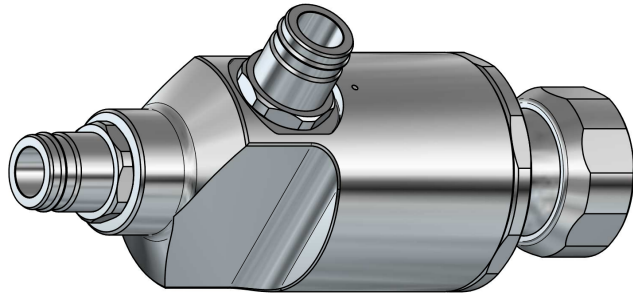
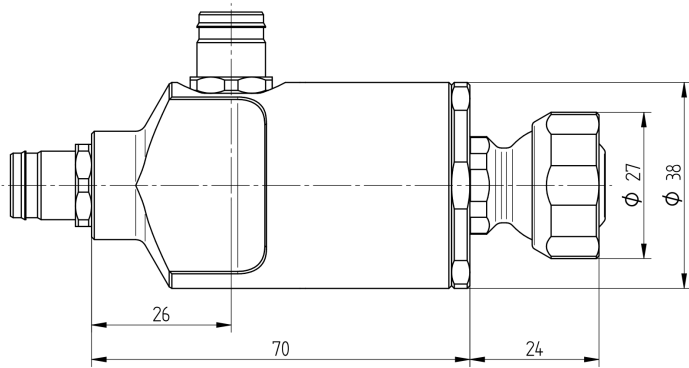
Tools: SW 26

Bearings: TFM SLEEVE

Material: Austenitic Stainless Steel / NBR / Brass

Temperature Range: -30°C to 120°C (-20°F to 250°F)

# VL09



## S09 Mechanical Valve

SmarTec Line: S09

External Diameter: 38 [mm] (1.5")

Effective Length: 82 [mm] (3.23")

Internal Diameter: 9.5 [mm] (0.374")

Air Fittings connection: G1/4

Tooling: SW 26

Material: Austenitic Stainless Steel / NBR (Buna-N)

Temperature Range: -30°C to 120°C (-20°F to 250°F)

**KIT 09**

**KIT 09 – CONT'**

No.	Element	KIT03 S	KIT03 M	KIT03 L	Notes	No.	Element	KIT03 S	KIT03 M	KIT03 L	Notes
1	AJ09	1	1	1		27	JD09	1	2	2	
2	AM09-G250	1	1	2		28	JS09	1	2	2	
3	AM09-G375	1	1	2		29	JB09-SML			1	
4	AM09-G500	1	1	2		30	JB09-V30		1	2	
5	AS09-TS03		1	1		31	JB09-V35	1	1	2	
6	AS09-TS06		1	1		32	JB09-V40		1	2	
7	CH09-AS	10	20	40		33	JB09-W30		1	2	
8	CH09-AM	2	5	10		34	JB09-W35	1	1	2	
9	CH09-AL	2	5	10		35	JB09-W40		1	2	
10	CH09-FS	2	2	5		36	JH09-D40		1	2	
11	CH09-FM		2	5		37	JH09-D50	1	1	2	
12	CH09-FL	2	2	5		38	JH09-D60		1	2	
13	CH09-PS	2	2	5		39	JF09-D30		1	2	
14	CH09-PM		2	5		40	JF09-D35	1	1	2	
15	CH09-PL	2	2	5		41	JP09-D40	1	1	2	
16	CH09-TS	2	2	5		42	JP09-D45		1	2	
17	CH09-TM		2	5		43	JM09-A04	1	1	2	
18	CH09-TL	2	2	5		44	JM09-A08		1	2	
19	CH09-YS	2	2	5		45	JM09-P03	1	1	2	
20	CH09-YM	2	2	5		46	JM09-P06			1	
21	CH09-YL	2	2	5		47	JM09-P09		1	1	
22	CH09-R0			5		48	JC09-TH			1	
23	CH09-RC			1		49	JC09-CN			1	
24	CH09--RS		1	1		50	JR09			1	
25	CH09-EF		2	5		51	VL09		1	1	
26	CH09-ER		2	5			Total Units	45	87	207	