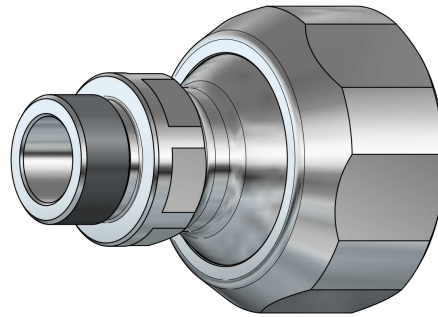
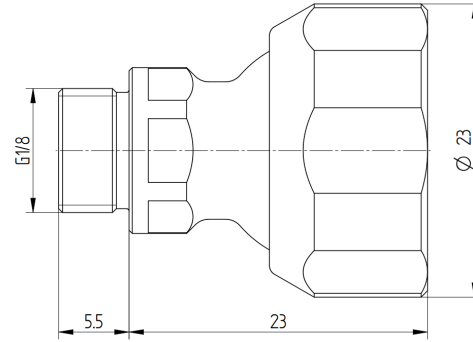


SMARTEC

Contact: marketing@smartec-tools.com

Series 06

AJ06



S06 Jet Adaptor G1/8

SmarTec Line: S06

Connect to: JD06

External Diameter: 23 [mm] (0.9")

Effective Length: 23 [mm] (0.9")

Internal Diameter: 6.5 [mm] (0.256")

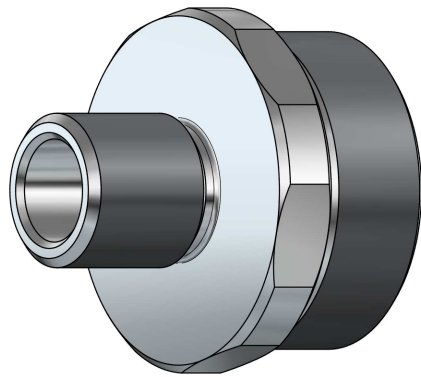
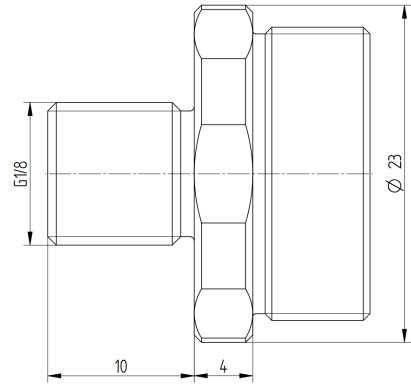
Tooling: SW 22

Thread: G1/8

Material: Austenitic Stainless Steel / NBR (Buna-N)

Temperature Range: -30°C to 120°C (-20°F to 250°F)

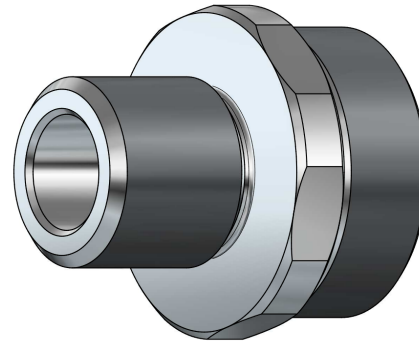
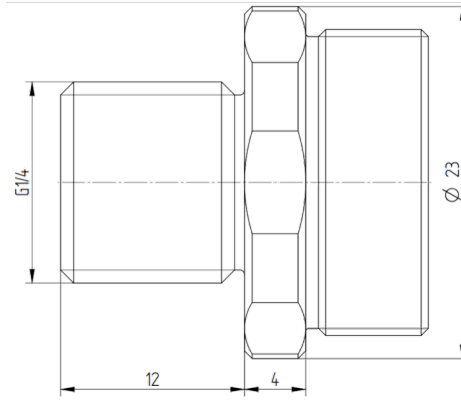
AM06-G125



S06 Machine Adaptor G1/8

SmarTec Line: S06
External Diameter: 23 [mm] (0.9")
Effective Length: 4 [mm] (0.16")
Internal Diameter: 6.5 [mm] (0.256")
Tooling: SW 22
Thread: G1/8
Material: Austenitic Stainless Steel
Temperature Range: -30°C to 120°C (-20°F to 250°F)

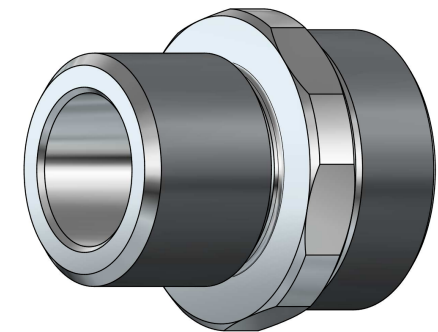
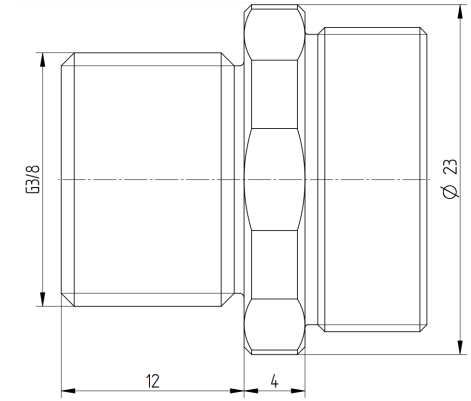
AM06-G250



S06 Machine Adaptor G1/4

SmarTec Line: S06
External Diameter: 23 [mm] (0.9")
Effective Length: 4 [mm] (0.16")
Internal Diameter: 6.5 [mm] (0.256")
Tooling: SW 22
Thread: G1/4
Material: Austenitic Stainless Steel
Temperature Range: -30°C to 120°C (-20°F to 250°F)

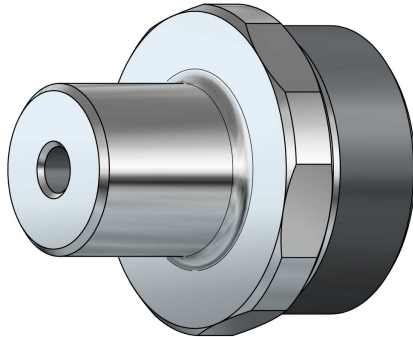
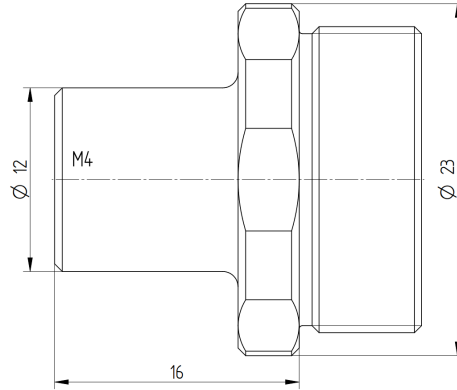
AM06-G375



S06 Machine Adaptor G3/8

SmarTec Line: S06
External Diameter: 23 [mm] (0.9")
Effective Length: 4 [mm] (0.16")
Internal Diameter: 6.5 [mm] (0.256")
Tooling: SW 22
Thread: G3/8
Material: Austenitic Stainless Steel
Temperature Range: -30°C to 120°C (-20°F to 250°F)

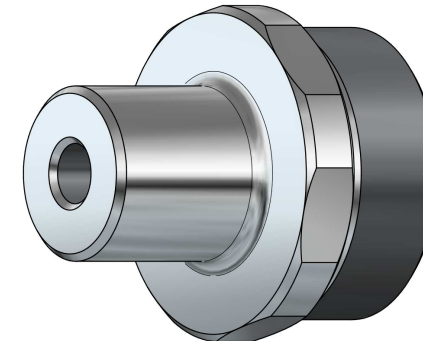
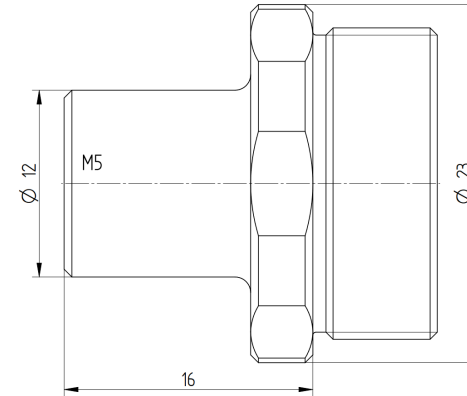
AP06-M4



S06 Plug Adaptor M4

SmarTec Line: S06
Connecting peripheral equipment to magnetic Base
External Diameter: 23 [mm] (0.9")
Effective Length: 16 [mm] (0.63")
Tooling: SW 22
Internal Thread: M4
Thread Length: 10 mm (0.39")
Material: Austenitic Stainless Steel
Temperature Range: -30°C to 120°C (-20°F to 250°F)

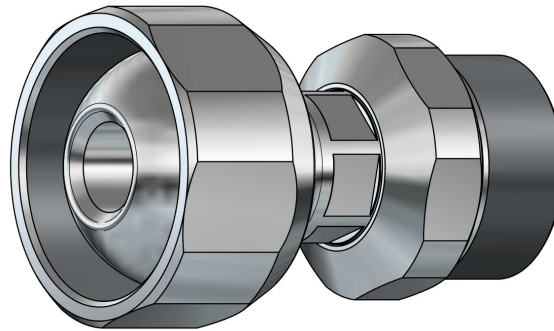
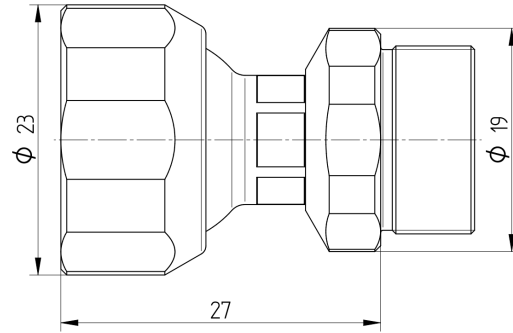
AP06-M5



S06 Plug Adaptor M5

SmarTec Line: S06
Connecting peripheral equipment to magnetic Base
External Diameter: 23 [mm] (0.9")
Effective Length: 16 [mm] (0.63")
Tooling: SW 22
Internal Thread: M5
Thread Length: 10 mm (0.39")
Material: Austenitic Stainless Steel
Temperature Range: -30°C to 120°C (-20°F to 250°F)

AS06-TS03



S06 to S03 Series Adaptor

SmarTec Line: S06

Base Line: S06

Secondary Line: S03

External Diameter: 23 [mm] (0.9")

Effective Length: 27 [mm] (1.06")

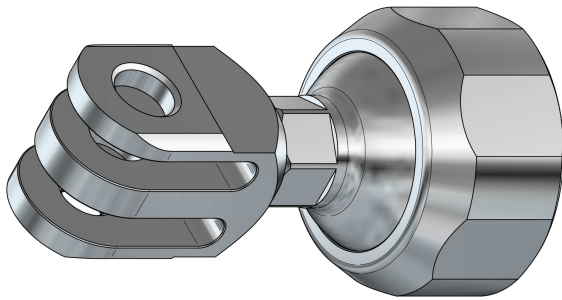
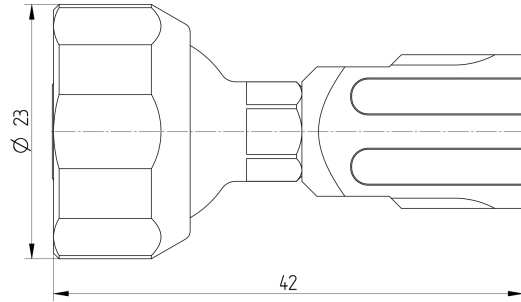
Internal Diameter: 3.5 [mm] (0.14")

Tooling: SW 22, SW18

Material: Austenitic Stainless Steel / NBR (Buna-N)

Temperature Range: -30°C to 120°C (-20°F to 250°F)

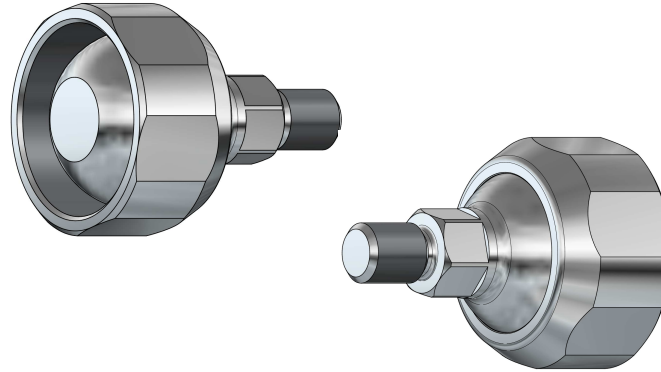
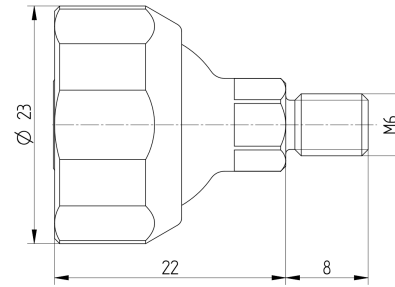
PC06-GP



S06 Chain Plug Go-Pro Connector

SmarTec Line: S06
Go-Pro Connection
External Diameter: 23 [mm] (0.9")
Effective Length: 42 [mm] (1.65")
Thread: M5
Tooling: SW 22
Material: Austenitic Stainless Steel / NBR (Buna-N)
Temperature Range: -30°C to 120°C (-20°F to 250°F)

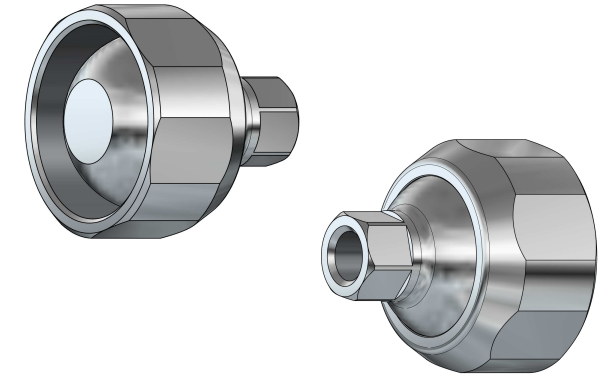
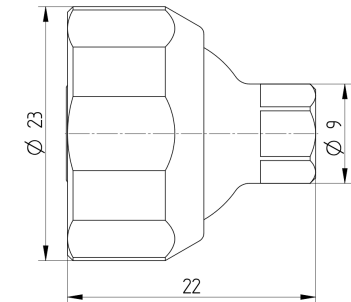
PC06-M6M



S06 Chain Plug M6 Male

SmarTec Line: S06
General Connection
External Diameter: 23 [mm] (0.9")
Effective Length: 22 [mm] (0.86")
Thread: External M6 P1
Thread Length: 8 [mm] (0.315")
Tooling: SW 22, SW 8
Material: Austenitic Stainless Steel / NBR (Buna-N)
Temperature Range: -30°C to 120°C (-20°F to 250°F)

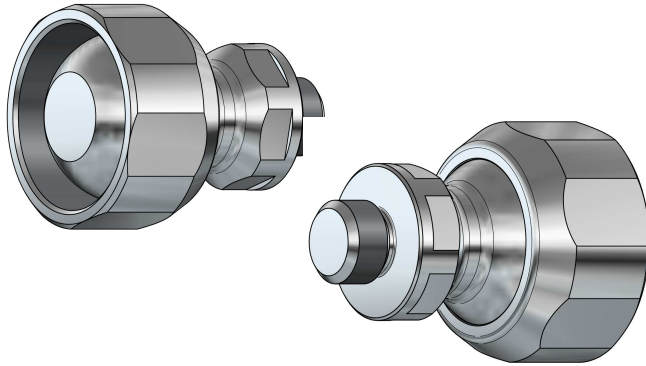
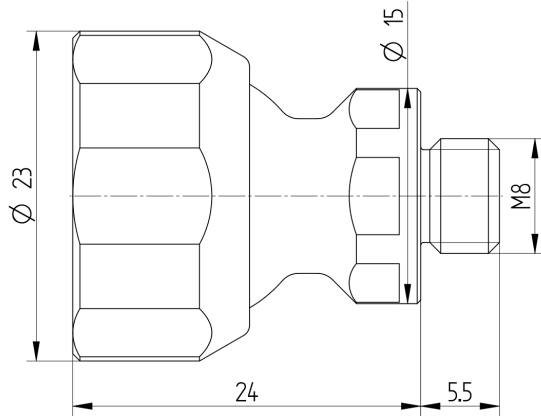
PC06-M6F



S06 Chain Plug M6 Female

SmarTec Line: S06
General Connection
External Diameter: 23 [mm] (0.9")
Effective Length: 22 [mm] (0.86")
Thread: Internal M6 P1
Thread Length: 15 [mm] (0.4")
Tooling: SW 22, SW 8
Material: Austenitic Stainless Steel / NBR (Buna-N)
Temperature Range: -30°C to 120°C (-20°F to 250°F)

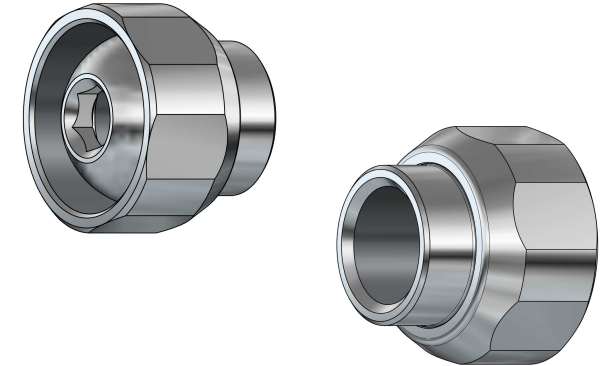
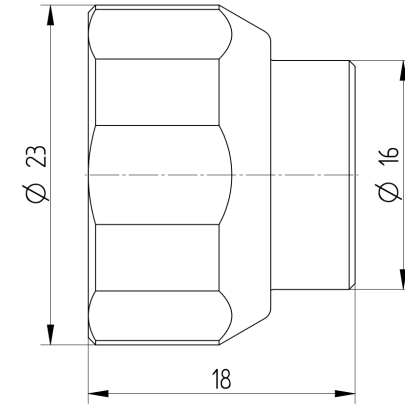
PE06-M8



S06 Chain Plug External M8

SmarTec Line: S06
Connection to Magnetic Base
External Diameter: 23 [mm] (0.9")
Effective Length: 24 [mm] (0.95")
External Thread: M8 P1.25
Thread Length: 5.5 [mm] (0.22")
Tooling: SW 22, SW 14
Material: Austenitic Stainless Steel / NBR (Buna-N)
Temperature Range: -30°C to 120°C (-20°F to 250°F)

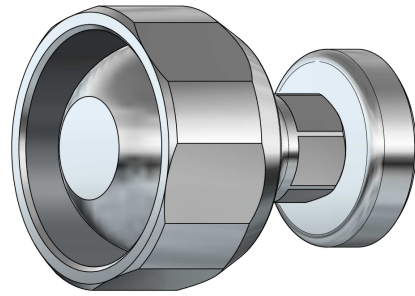
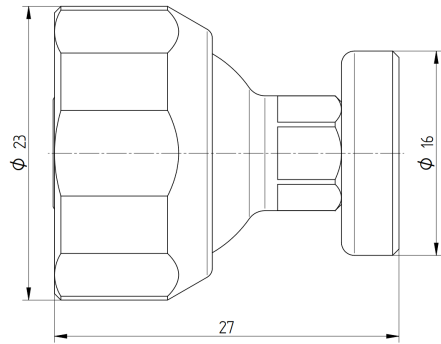
PG06-G250



S06 Chain Plug Internal G1/4

SmarTec Line: S06
Connection to Pressure Gage
External Diameter: 23 [mm] (0.9")
Effective Length: 17 [mm] (0.67")
Internal Thread: G1/4
Thread Length: 18 [mm] (0.7")
Tooling: SW 22, Allen Key 6 [mm]
Material: Austenitic Stainless Steel / NBR (Buna-N)
Temperature Range: -30°C to 120°C (-20°F to 250°F)

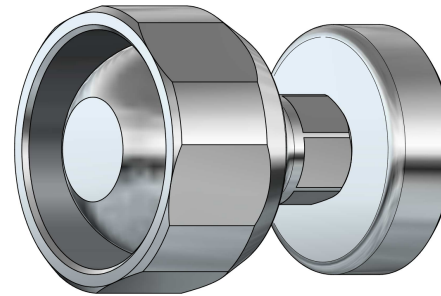
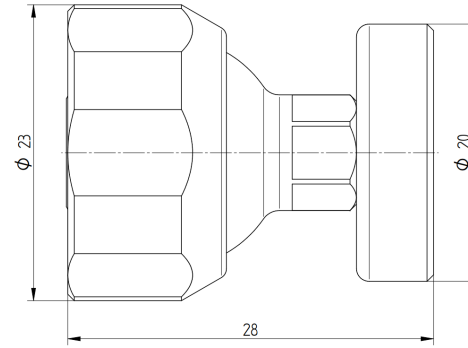
PM06-F10



S06 Magnet Connection 10Kg

SmarTec Line: S06
Magnetic Base: approximately 10 Kgf (22 lbf)
Clamping Force: 90 N
External Diameter: 23 [mm] (0.9")
Effective Length: 27 [mm] (1.06")
Magnet Diameter: 16 mm (0.63")
Tooling: SW 22
Material: Austenitic Stainless Steel / NBR (Buna-N)
Magnet Type: Neodymium with Nickel plate
Temperature Range: -30°C to 120°C (-20°F to 250°F)

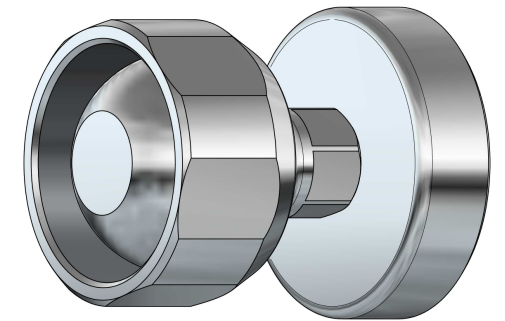
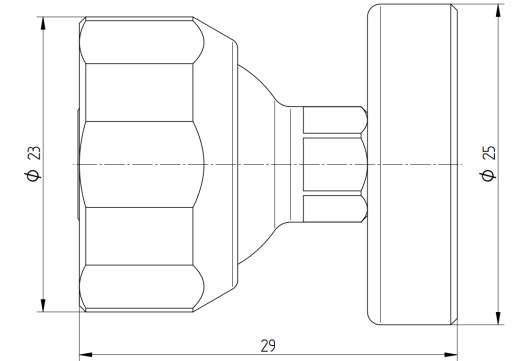
PM06-F15



S06 Magnet Connection 15Kg

SmarTec Line: S06
Magnetic Base: approximately 15 Kgf (33 lbf)
Clamping Force: 135 N
External Diameter: 23 [mm] (0.9")
Effective Length: 28 [mm] (1.1")
Magnet Diameter: 20 mm (0.787")
Tooling: SW 22
Material: Austenitic Stainless Steel / NBR (Buna-N)
Magnet Type: Neodymium with Nickel plate
Temperature Range: -30°C to 120°C (-20°F to 250°F)

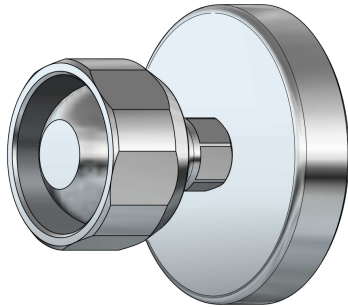
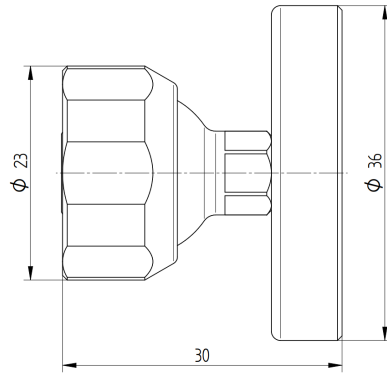
PM06-F20



S06 Magnet Connection 20Kg

SmarTec Line: S06
Magnetic Base: approximately 20 Kgf (44 lbf)
Clamping Force: 195 N
External Diameter: 23 [mm] (0.9")
Effective Length: 29 [mm] (1.14")
Magnet Diameter: 25 mm (0.98")
Tooling: SW 22
Material: Austenitic Stainless Steel / NBR (Buna-N)
Magnet Type: Neodymium with Nickel plate
Temperature Range: -30°C to 120°C (-20°F to 250°F)

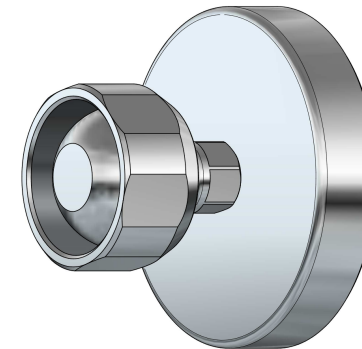
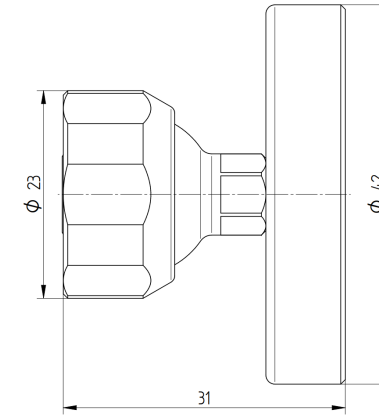
PM06-F40



S06 Magnet Connection 40Kg

SmarTec Line: S06
Magnetic Base approximately 40 Kgf (88 lbf)
Clamping Force: 390 N
External Diameter: 23 [mm] (0.9")
Effective Length: 30 [mm] (1.18")
Magnet Diameter: 36 mm (1.42")
Tooling: SW 22
Material: Austenitic Stainless Steel / NBR (Buna-N)
Magnet Type: Neodymium with Nickel plate
Temperature Range: -30°C to 120°C (-20°F to 250°F)

PM06-F60

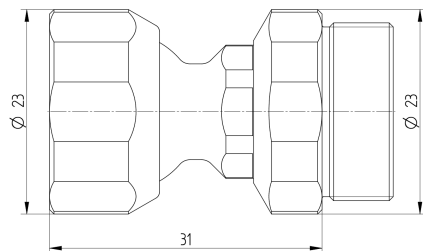


S06 Magnet Connection 60Kg

SmarTec Line: S06
Magnetic Base approximately 60 Kgf (132 lbf)
Clamping Force: 640 N
External Diameter: 23 [mm] (0.9")
Effective Length: 31 [mm] (1.22")
Magnet Diameter: 42 mm (1.65")
Tooling: SW 22
Material: Austenitic Stainless Steel / NBR (Buna-N)
Magnet Type: Neodymium with Nickel plate
Temperature Range: -30°C to 120°C (-20°F to 250°F)

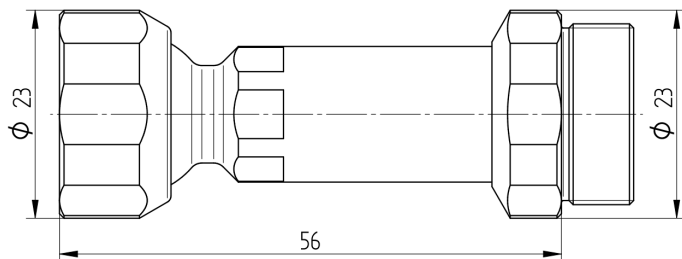
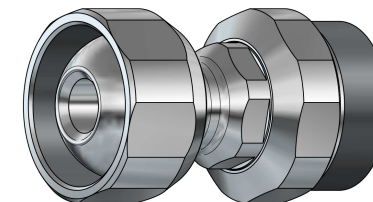
CH06A

S06 Chain Unit Straight Short



SmarTec Line: S06
External Diameter: 23 [mm] (0.9")
Effective Length: 31 [mm] (1.2")
Internal Diameter: 6.5 [mm] (0.256")
Tooling: SW 22
Material: Austenitic Stainless Steel / NBR (Buna-N)
Temperature Range: -30°C to 120°C (-20°F to 250°F)

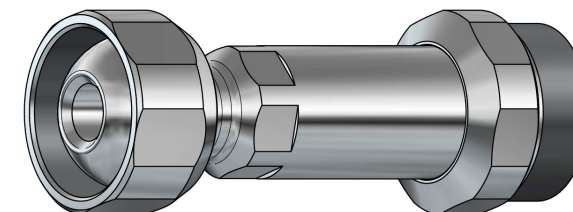
CH06-AS



S06 Chain Unit Straight Mean

SmarTec Line: S06
External Diameter: 23 [mm] (0.9")
Effective Length: 56 [mm] (2.2")
Internal Diameter: 6.5 [mm] (0.256")
Tooling: SW 22
Material: Austenitic Stainless Steel / NBR (Buna-N)
Temperature Range: -30°C to 120°C (-20°F to 250°F)

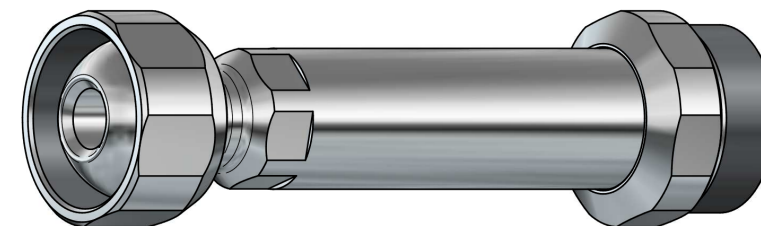
CH06-AM



S06 Chain Unit Straight Long

SmarTec Line: S06
External Diameter: 23 [mm] (0.9")
Effective Length: 76 [mm] (3")
Internal Diameter: 6.5 [mm] (0.256")
Tooling: SW 22
Material: Austenitic Stainless Steel / NBR (Buna-N)
Temperature Range: -30°C to 120°C (-20°F to 250°F)

CH06-AL

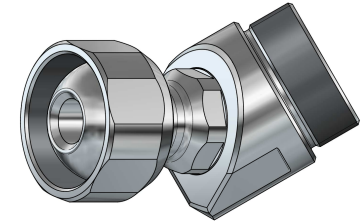


CH06F

S06 Chain Unit 45° Short

SmarTec Line: S06
Angle: 45°
External Diameter: 23 [mm] (0.9")
Effective Length: 23, 19 [mm] (0.9", 0.75")
Internal Diameter: 6.5 [mm] (0.256")
Tooling: SW 22
Material: Austenitic Stainless Steel / NBR (Buna-N)
Temperature Range: -30°C to 120°C (-20°F to 250°F)

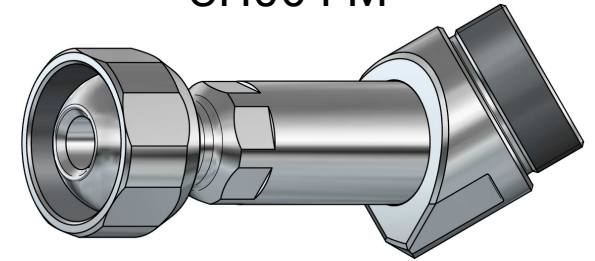
CH06-FS



S06 Chain Unit 45° Mean

SmarTec Line: S06
Angle: 45°
External Diameter: 23 [mm] (0.9")
Effective Length: 48, 19 [mm] (1.9", 0.75")
Internal Diameter: 6.5 [mm] (0.256")
Tooling: SW 22
Material: Austenitic Stainless Steel / NBR (Buna-N)
Temperature Range: -30°C to 120°C (-20°F to 250°F)

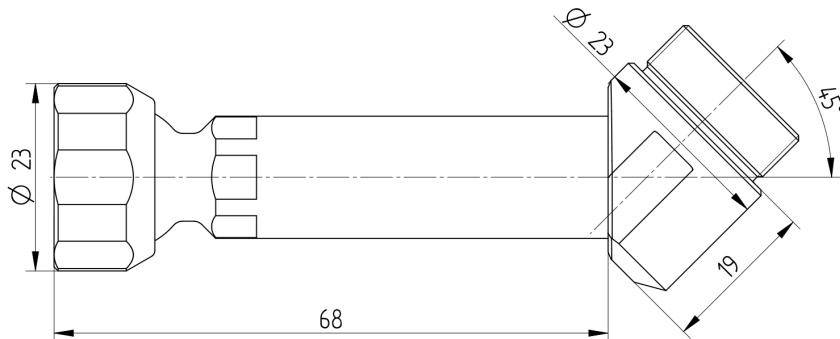
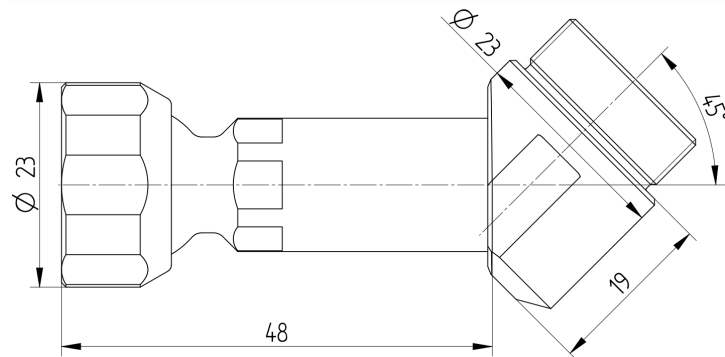
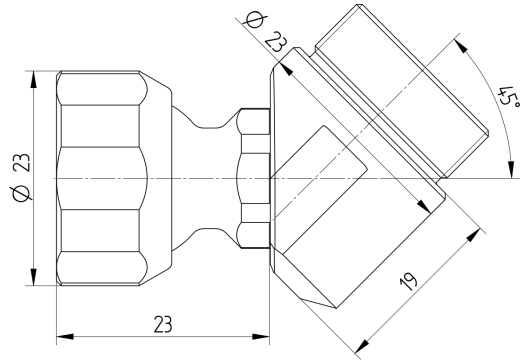
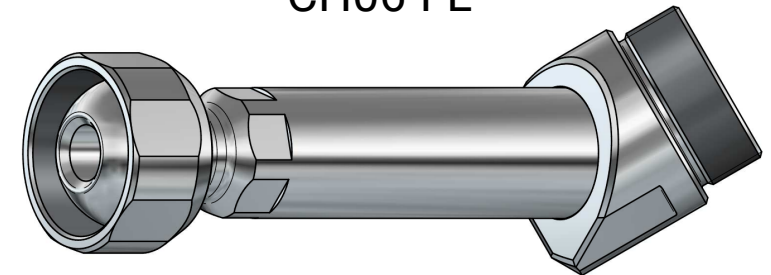
CH06-FM



S06 Chain Unit 45° Long

SmarTec Line: S06
Angle: 45°
External Diameter: 23 [mm] (0.9")
Effective Length: 68, 19 [mm] (2.68", 0.75")
Internal Diameter: 6.5 [mm] (0.256")
Tooling: SW 22
Material: Austenitic Stainless Steel / NBR (Buna-N)
Temperature Range: -30°C to 120°C (-20°F to 250°F)

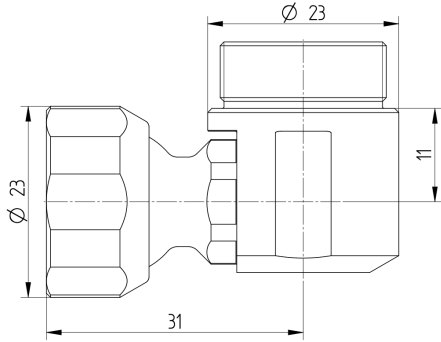
CH06-FL



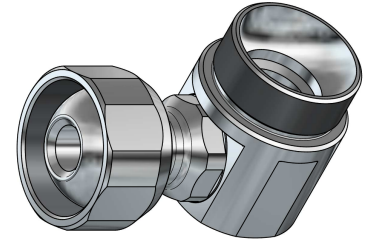
CH06P

S06 Chain Unit 90° Short

SmarTec Line: S06
Angle: 90°
External Diameter: 23 [mm] (0.9")
Effective Length: 31, 11 [mm] (1.2", 0.43")
Internal Diameter: 6.5 [mm] (0.256")
Tooling: SW 22
Material: Austenitic Stainless Steel / NBR (Buna-N)
Temperature Range: -30°C to 120°C (-20°F to 250°F)

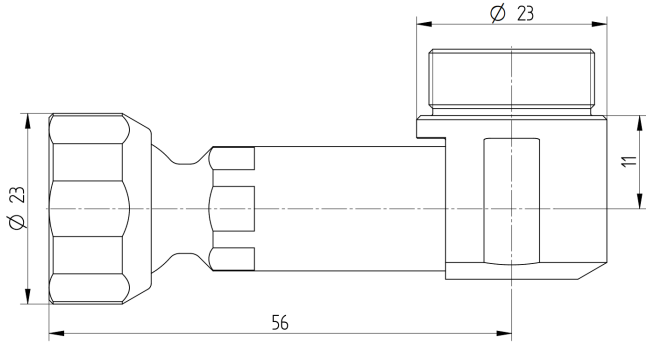


CH06-PS

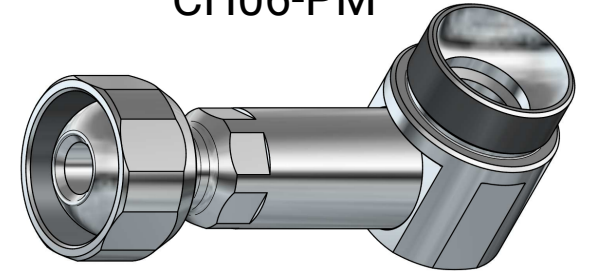


S06 Chain Unit 90° Mean

SmarTec Line: S06
Angle: 90°
External Diameter: 23 [mm] (0.9")
Effective Length: 56, 11 [mm] (2.2", 0.43")
Internal Diameter: 6.5 [mm]
Tooling: SW 22
Material: Austenitic Stainless Steel / NBR (Buna-N)
Temperature Range: -30°C to 120°C (-20°F to 250°F)

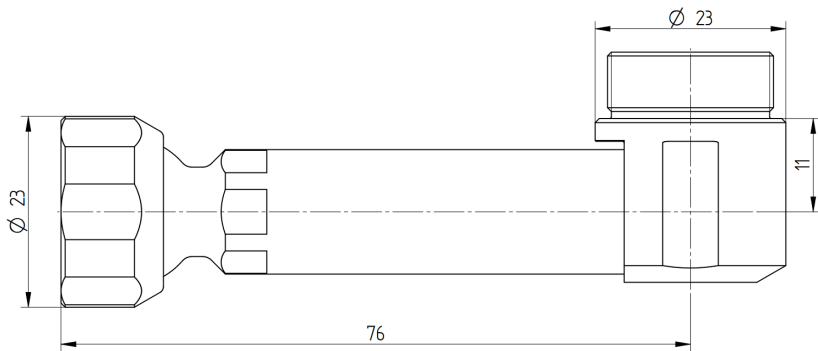


CH06-PM

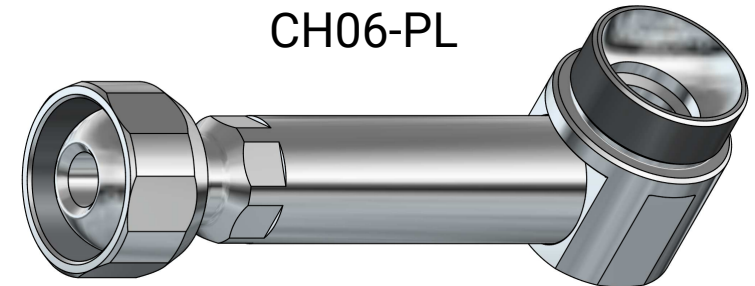


S06 Chain Unit 90° Long

SmarTec Line: S06
Angle: 90°
External Diameter: 23 [mm] (0.9")
Effective Length: 76, 11 [mm] (3", 0.43")
Internal Diameter: 6.5 [mm] (0.256")
Tooling: SW 22
Material: Austenitic Stainless Steel / NBR (Buna-N)
Temperature Range: -30°C to 120°C (-20°F to 250°F)

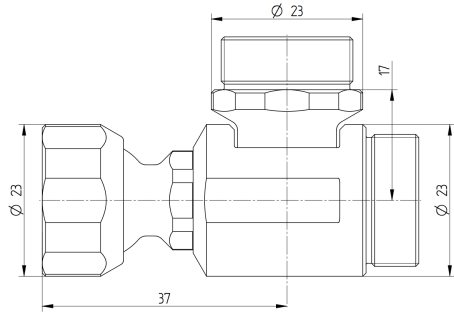


CH06-PL



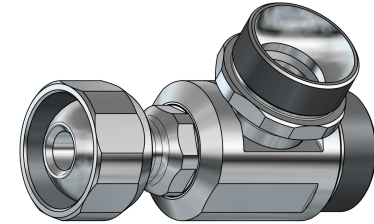
CH06T

S06 Chain Unit T Short

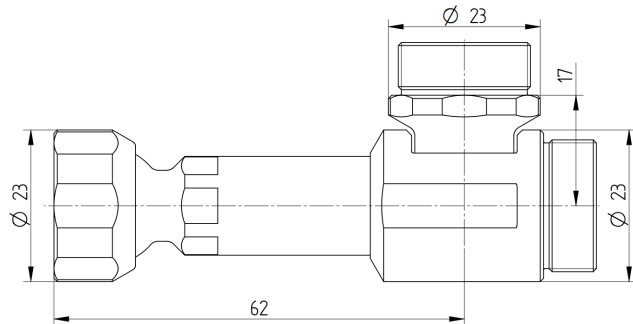


SmarTec Line: S06
Angle: 90° + 90°
External Diameter: 23 [mm] (0.9")
Effective Length: 37, 17 [mm] (1.45", 0.67")
Internal Diameter: 6.5 [mm] (0.256")
Tooling: SW 22
Material: Austenitic Stainless Steel / NBR (Buna-N)
Temperature Range: -30°C to 120°C (-20°F to 250°F)

CH06-TS

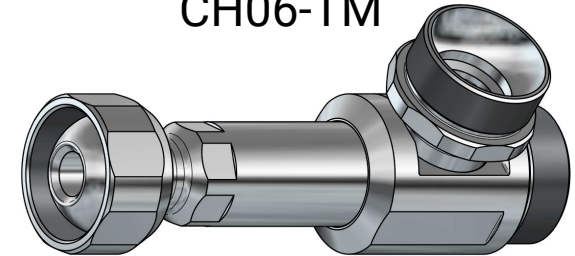


S06 Chain Unit T Mean

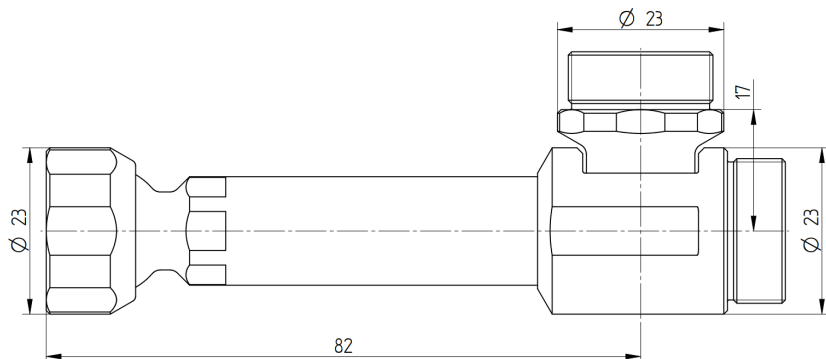


SmarTec Line: S06
Angle: 90° + 90°
External Diameter: 23 [mm] (0.9")
Effective Length: 62, 17 [mm] (2.44", 0.67")
Internal Diameter: 6.5 [mm] (0.256")
Tooling: SW 22
Material: Austenitic Stainless Steel / NBR (Buna-N)
Temperature Range: -30°C to 120°C (-20°F to 250°F)

CH06-TM

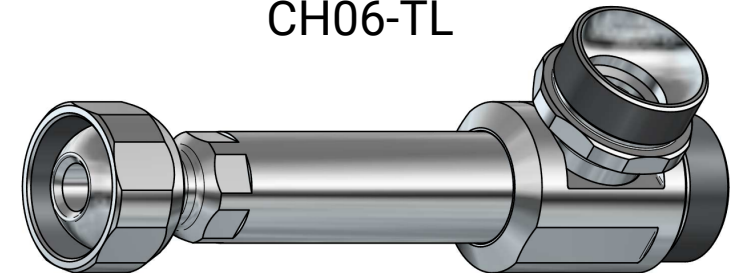


S06 Chain Unit T Long

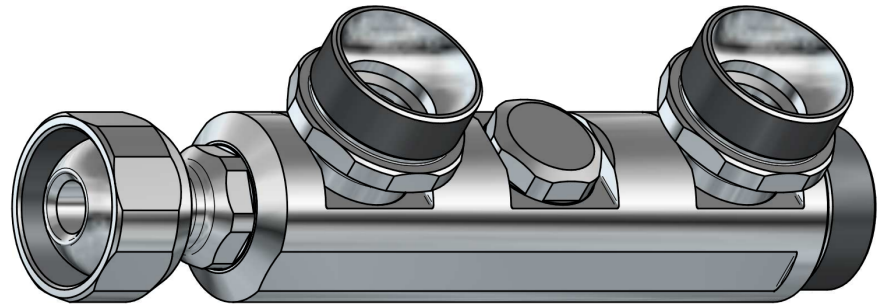
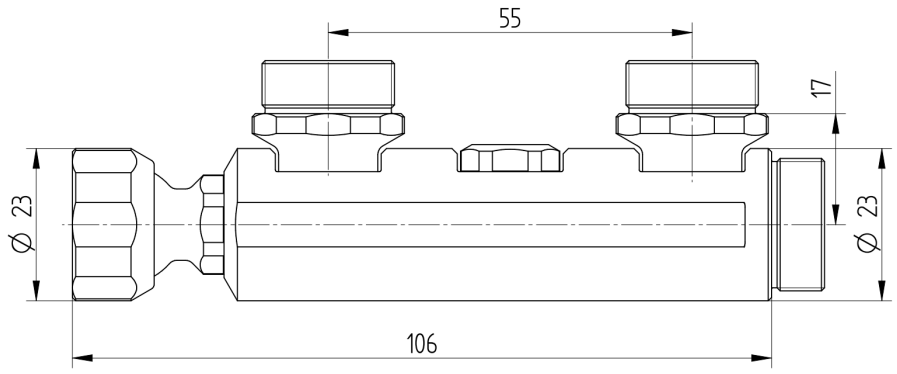


SmarTec Line: S06
Angle: 90° + 90°
External Diameter: 23 [mm] (0.9")
Effective Length: 82, 17 [mm] (3.2", 0.67")
Internal Diameter: 6.5 [mm] (0.256")
Tooling: SW 22
Material: Austenitic Stainless Steel / NBR (Buna-N)
Temperature Range: -30°C to 120°C (-20°F to 250°F)

CH06-TL



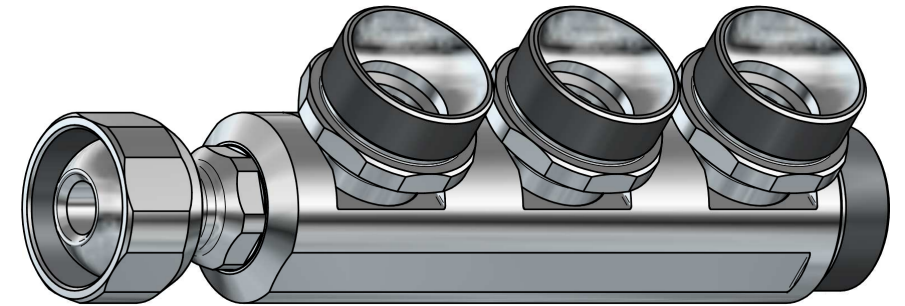
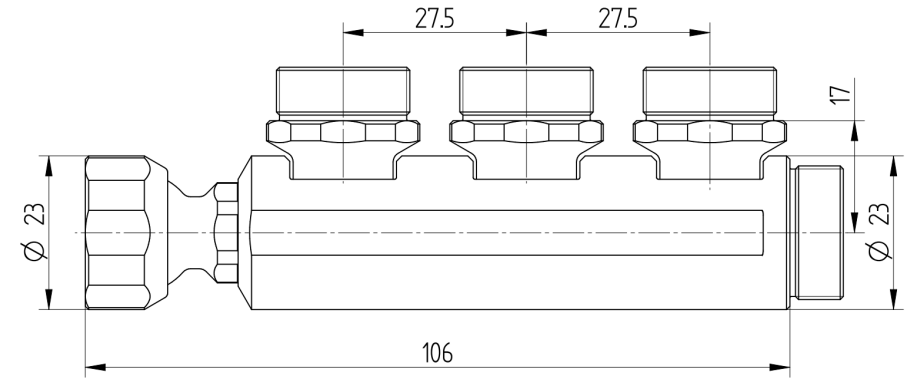
CH06-TD



S06 Chain Unit T Dual Exit

SmarTec Line: S06
Angle: 90° + 90°
No. of Exits: 2
External Diameter: 23 [mm] (0.9")
Effective Length: 106, 55 [mm] (4.17", 2.16")
Internal Diameter: 6.5 [mm] (0.256")
Tooling: SW 22
Material: Austenitic Stainless Steel / NBR (Buna-N)
Temperature Range: -30°C to 120°C (-20°F to 250°F)

CH06-TT

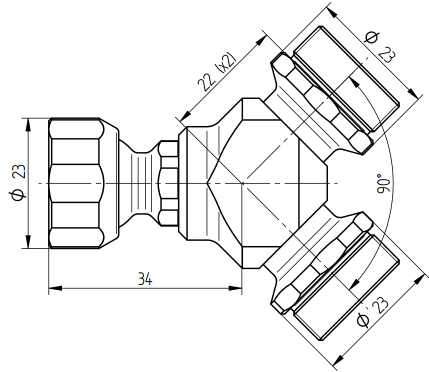


S06 Chain Unit T Triple Exit

SmarTec Line: S06
Angle: 90° + 90°
No. of Exits: 3
External Diameter: 23 [mm] (0.9")
Effective Length: 106, 27.5 [mm] (4.17", 1.1")
Internal Diameter: 6.5 [mm] (0.256")
Tooling: SW 22
Material: Austenitic Stainless Steel / NBR (Buna-N)
Temperature Range: -30°C to 120°C (-20°F to 250°F)

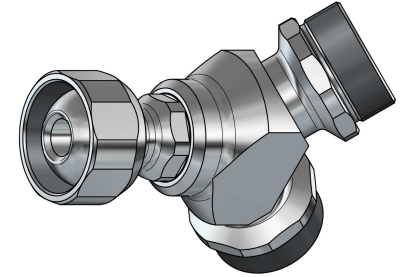
CH06Y

S06 Chain Unit Y Short

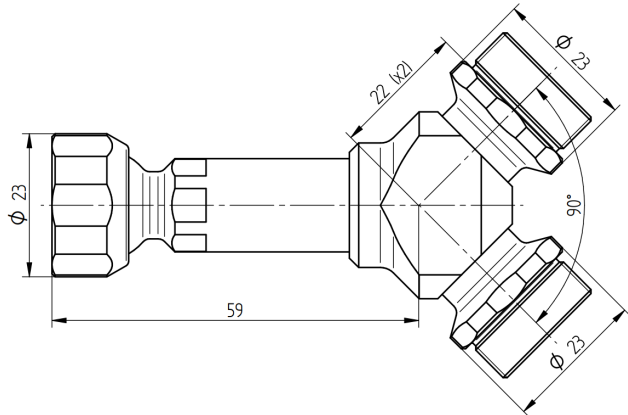


SmarTec Line: S06
Angle: 45° + 45°
External Diameter: 23 [mm] (0.9")
Effective Length: 34, 22, 22 [mm] (1.34", 0.87", 0.87")
Internal Diameter: 6.5 [mm] (0.256")
Tooling: SW 22
Material: Austenitic Stainless Steel / NBR (Buna-N)
Temperature Range: -30°C to 120°C (-20°F to 250°F)

CH06-YS

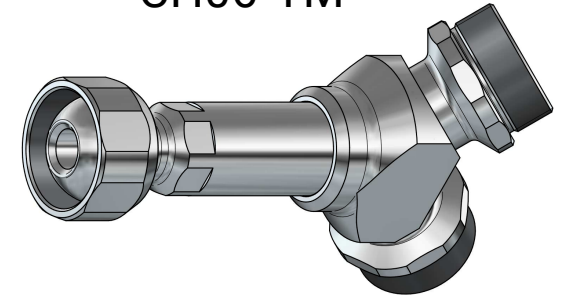


S06 Chain Unit Y Mean

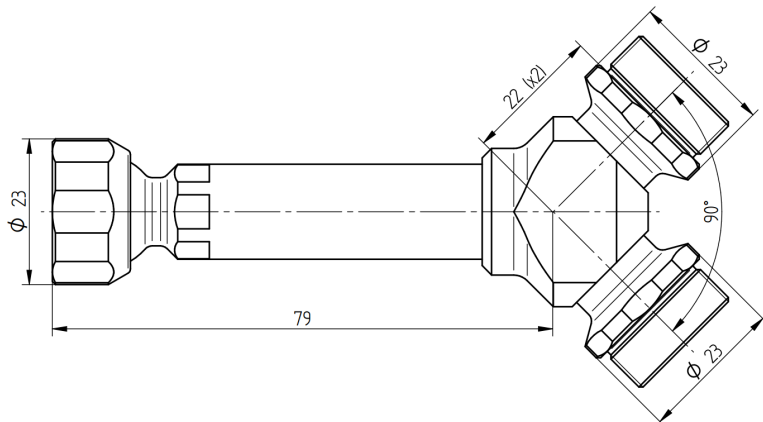


SmarTec Line: S06
Angle: 45° + 45°
External Diameter: 23 [mm] (0.9")
Effective Length: 59, 22, 22 [mm] (2.3", 0.87", 0.87")
Internal Diameter: 6.5 [mm] (0.256")
Tooling: SW 22
Material: Austenitic Stainless Steel / NBR (Buna-N)
Temperature Range: -30°C to 120°C (-20°F to 250°F)

CH06-YM

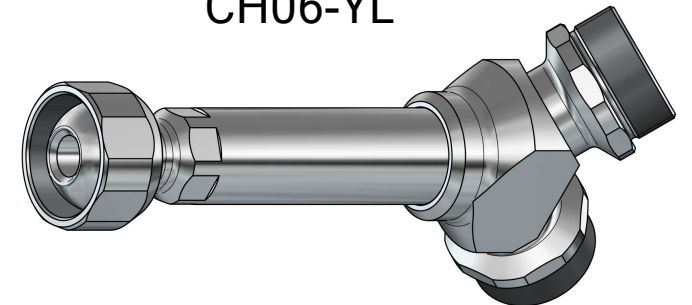


S06 Chain Unit Y Long



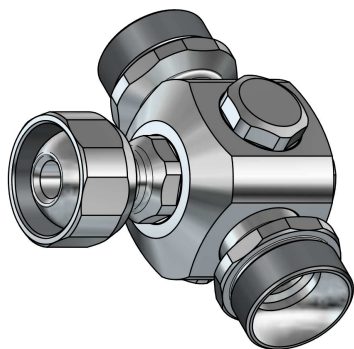
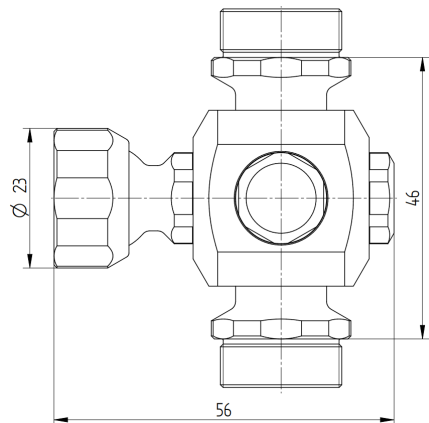
SmarTec Line: S06
Angle: 45° + 45°
External Diameter: 23 [mm] (0.9")
Effective Length: 79, 22, 22 [mm] (3.1", 0.87", 0.87")
Internal Diameter: 6.5 [mm] (0.256")
Tooling: SW 22
Material: Austenitic Stainless Steel / NBR (Buna-N)
Temperature Range: -30°C to 120°C (-20°F to 250°F)

CH06-YL



CH06X

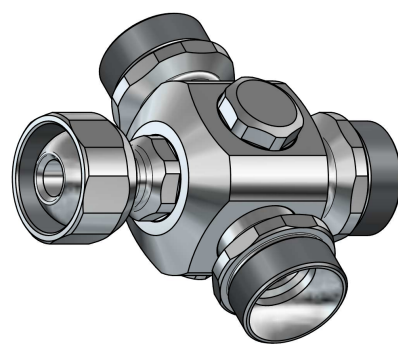
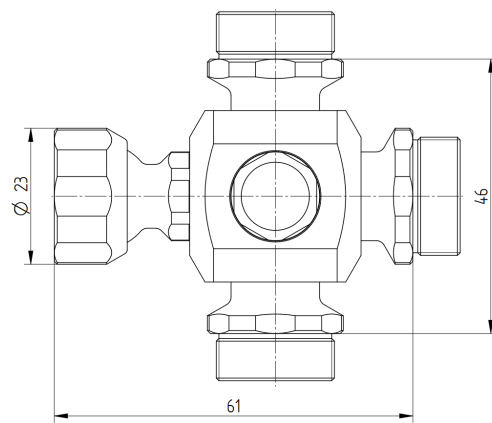
CH06-X2



S06 Chain Unit X2 Exits

SmarTec Line: S06
Angle: 90°
No. of Exits: 2
External Diameter: 23 [mm] (0.9")
Effective Length: 56, 46 [mm] (2.2", 1.8")
Internal Diameter: 9.5 [mm] (0.374")
Tooling: SW 22
Material: Austenitic Stainless Steel / NBR (Buna-N)
Temperature Range: -30°C to 120°C (-20°F to 250°F)

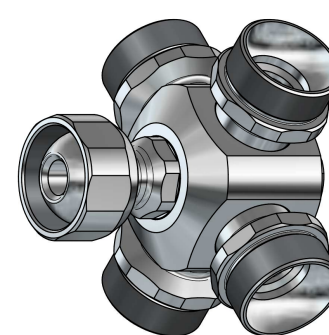
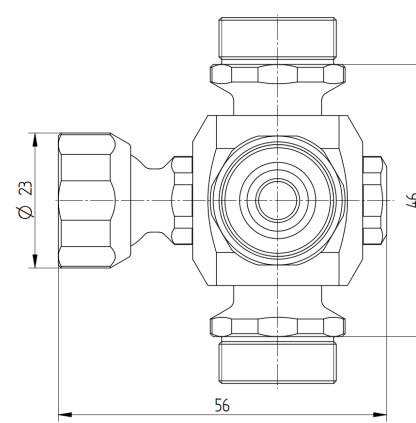
CH06-X3



S06 Chain Unit X3 Exits

SmarTec Line: S06
Angle: 90°
No. of Exits: 3
External Diameter: 23 [mm] (0.9")
Effective Length: 61, 46 [mm] (2.4", 1.8")
Internal Diameter: 9.5 [mm] (0.374")
Tooling: SW 22
Material: Austenitic Stainless Steel / NBR (Buna-N)
Temperature Range: -30°C to 120°C (-20°F to 250°F)

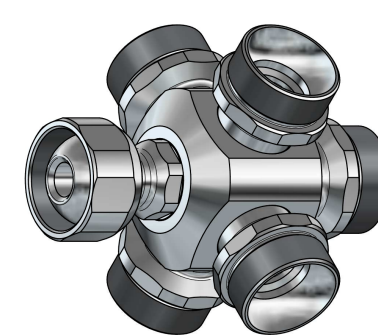
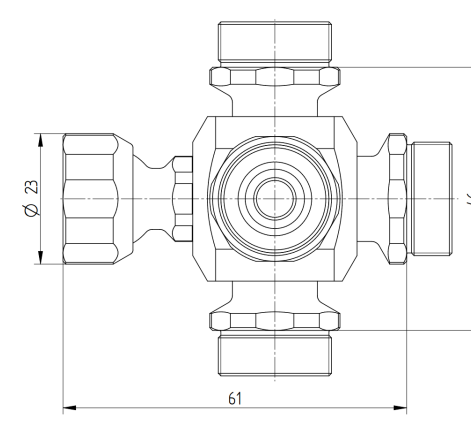
CH06-X4



S06 Chain Unit X4 Exits

SmarTec Line: S06
Angle: 90°
No. of Exits: 4
External Diameter: 23 [mm] (0.9")
Effective Length: 56, 46 [mm] (2.2", 1.8")
Internal Diameter: 9.5 [mm] (0.374")
Tooling: SW 22
Material: Austenitic Stainless Steel / NBR (Buna-N)
Temperature Range: -30°C to 120°C (-20°F to 250°F)

CH06-X5

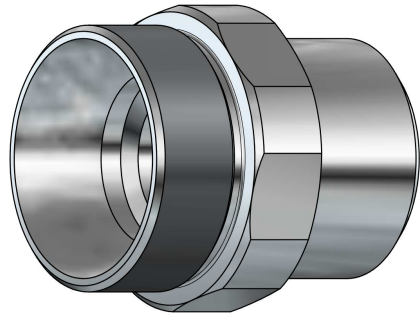
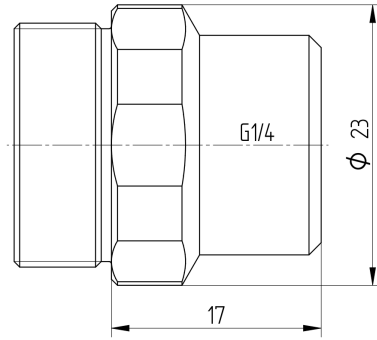


S06 Chain Unit X5 Exits

SmarTec Line: S06
Angle: 90°
No. of Exits: 5
External Diameter: 23 [mm] (0.9")
Effective Length: 61, 46 [mm] (2.4", 1.8")
Internal Diameter: 9.5 [mm] (0.374")
Tooling: SW 22
Material: Austenitic Stainless Steel / NBR (Buna-N)
Temperature Range: -30°C to 120°C (-20°F to 250°F)

CH06E

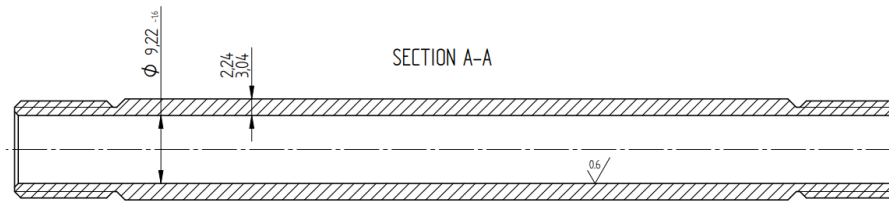
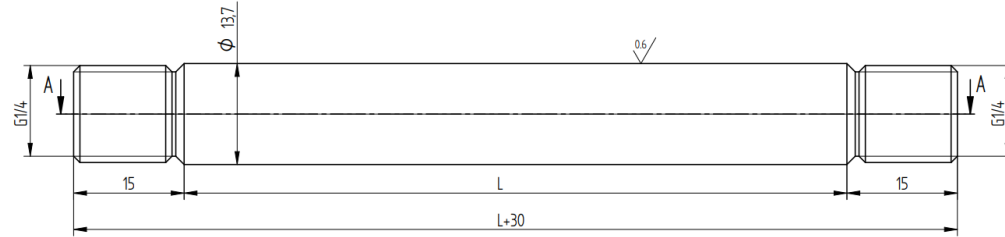
CH06-EF



S06 Chain Unit Extension Front Adaptor

SmarTec Line: S06
External Diameter: 23 [mm] (0.9")
Effective Length: 17 [mm] (0.67")
Internal Diameter: 6.5 [mm] (0.256")
Thread: G1/4
Tooling: SW 22
Material: Austenitic Stainless Steel
Temperature Range: -30°C to 120°C (-20°F to 250°F)

Pipe Seamless Schedules 40 / 80

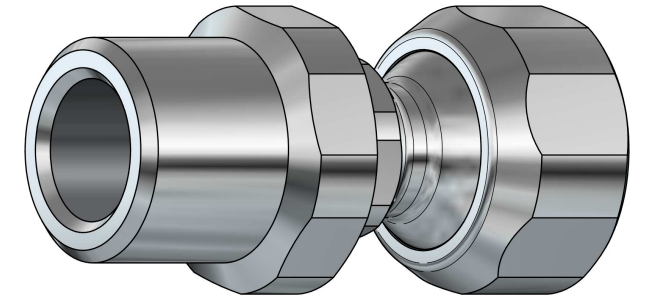
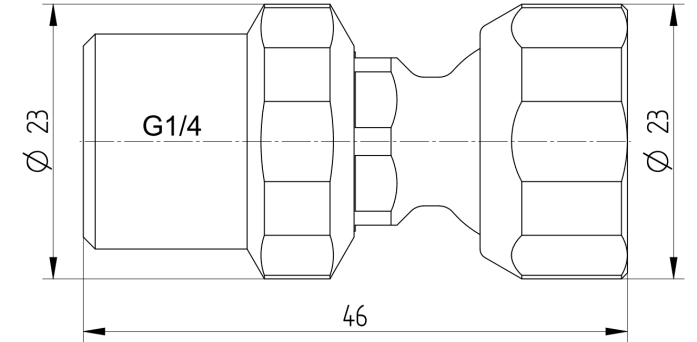


Pipe Size - 1/4
Pipe for CH06E

S06 Chain Unit Pipe Extension



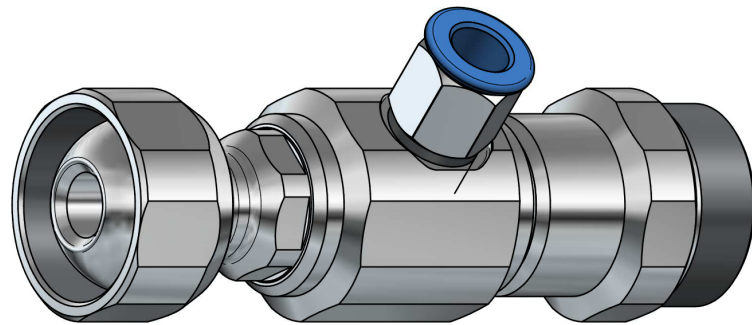
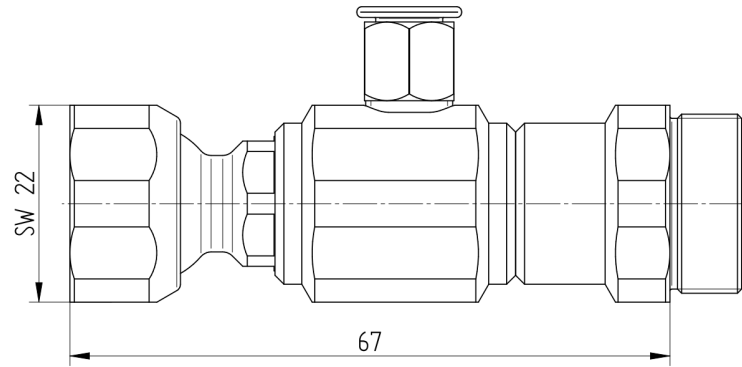
CH06-ER



S06 Chain Unit Extension Rear Adaptor

SmarTec Line: S06
External Diameter: 23 [mm] (0.9")
Effective Length: 46 [mm] (1.8")
Internal Diameter: 6.5 [mm] (0.256")
Thread: G1/4
Tooling: SW 22
Material: Austenitic Stainless Steel / NBR (Buna-N)
Temperature Range: -30°C to 120°C (-20°F to 250°F)

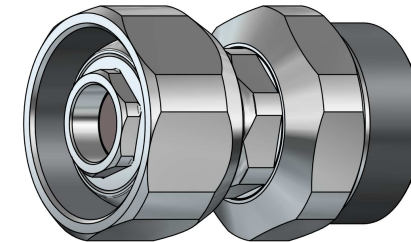
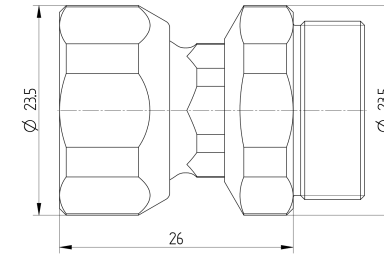
CH06-MZ



S06 Chain Unit Atomizer

SmarTec Line: S06
External Diameter: 23 [mm] (0.9")
Effective Length: 67 [mm] (2.64")
Internal Diameter: 6.5 [mm] (0.256")
Air Tube: 6X4
Tooling: SW 22
Material: Austenitic Stainless Steel
Temperature Range: -30°C to 120°C (-20°F to 250°F)

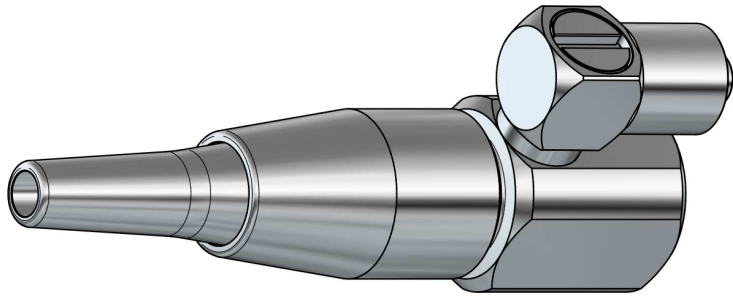
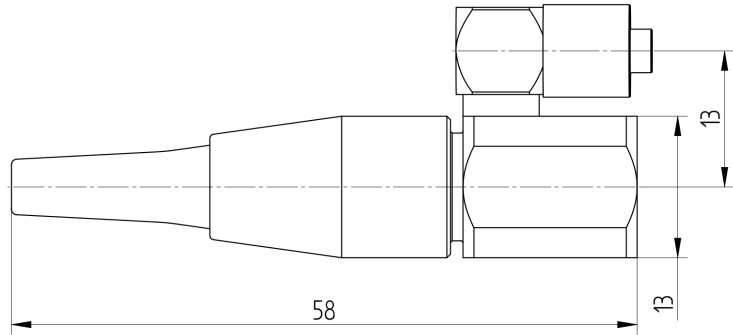
CH06-CV01



S06 Check Valve

SmarTec Line: S06
External Diameter: 23 [mm] (0.9")
Effective Length: 26 [mm] (1.02")
Internal Diameter: 6.5 [mm] (0.256")
Tooling: SW 22
Material: Austenitic Stainless Steel
Temperature Range: -30°C to 120°C (-20°F to 250°F)

JD06



S06 Smart Jet

SmarTec Line: S06

Chain Adaptor: AJ06

External Diameter: 15 [mm] (0.6")

Effective Length: 58, 13 [mm] (2.8", 0.51")

Internal Diameter: 6.5 [mm] (0.256")

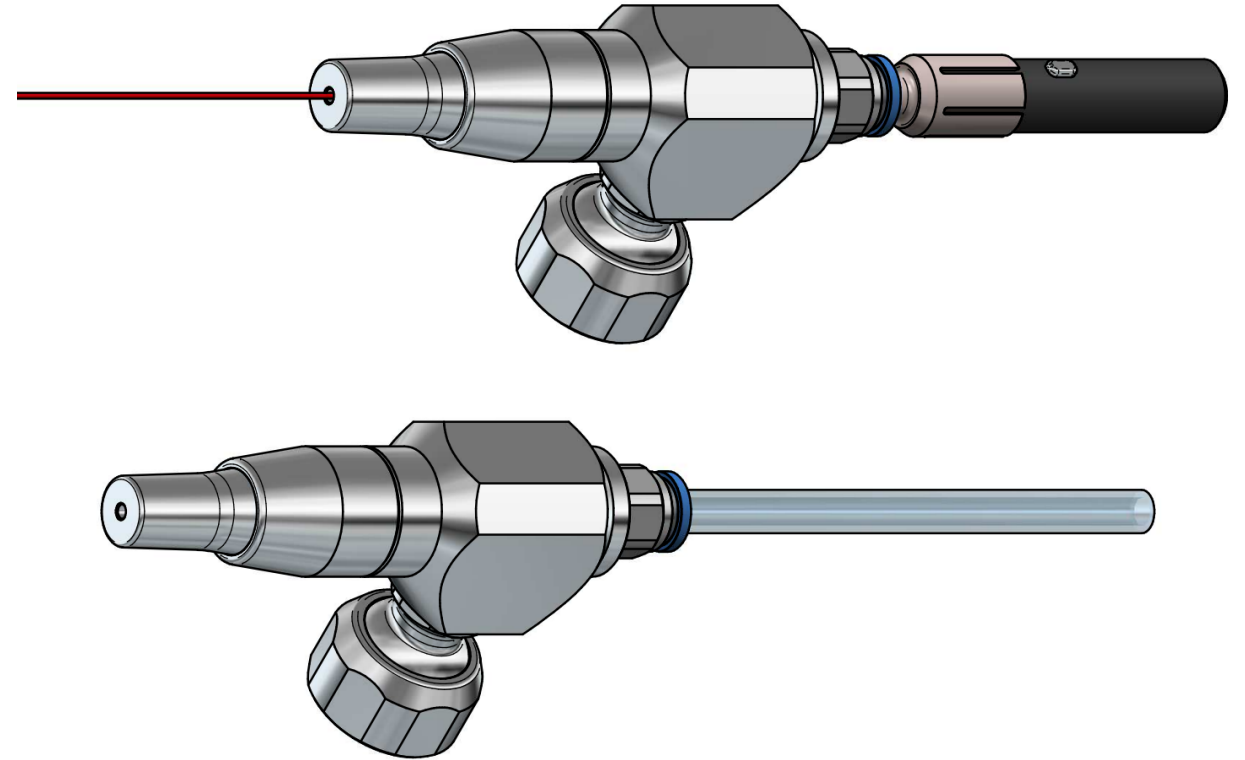
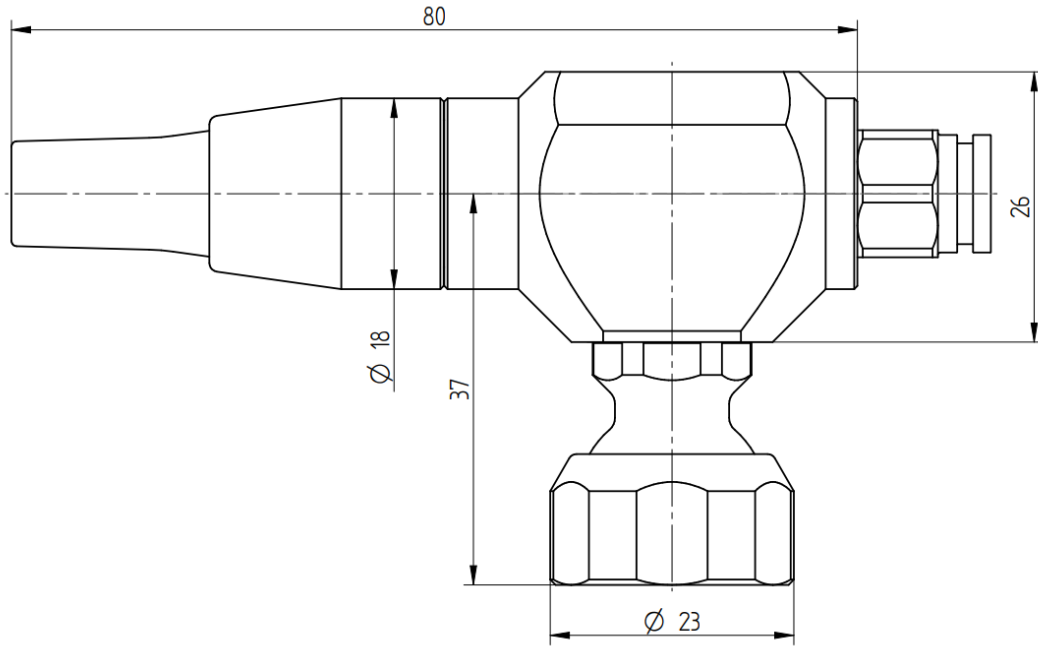
Rear Thread: G1/8

Tooling: SW 13

Material: Austenitic Stainless Steel / NBR (Buna-N)

Temperature Range: -30°C to 120°C (-20°F to 250°F)

JL06



S06 Laser Jet

SmarTec Line: S06

Special Adaptor: Laser Pointer

External Diameter: 18 [mm] (0.7")

Effective Length: 80, 37 [mm] (3.15", 1.45")

Internal Diameter: 6.5 [mm] (0.256")

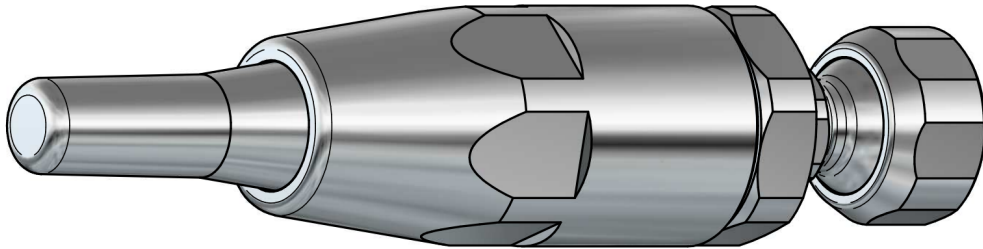
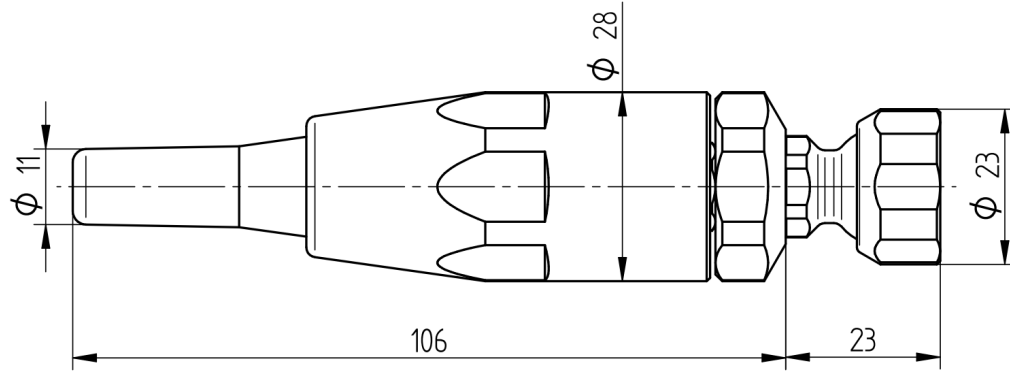
Air Connection: for 6 mm air tube

Tooling: SW 22

Material: Austenitic Stainless Steel / NBR (Buna-N)

Temperature Range: -30°C to 120°C (-20°F to 250°F)

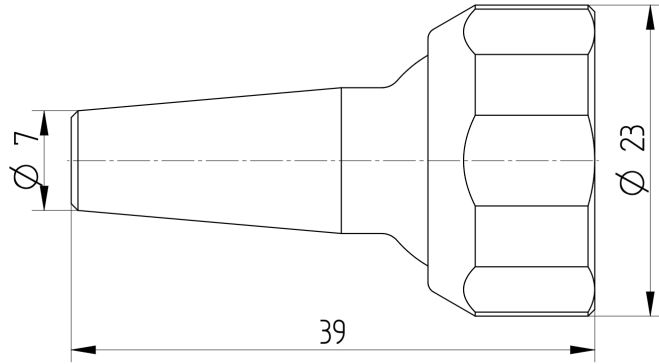
JS06



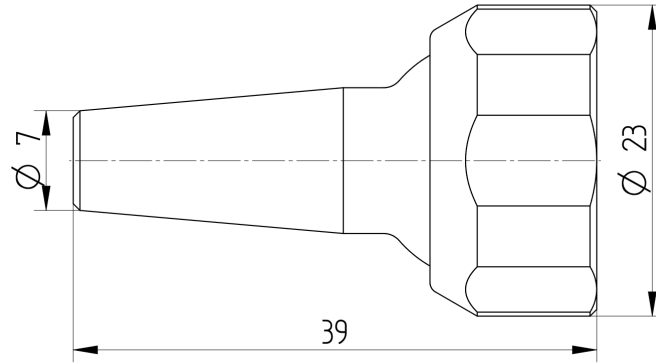
S06 Adjustable Jet

SmarTec Line: S06
External Diameter: 28 [mm] (1.1")
Effective Length: 129 [mm] (5")
Internal Diameter: 6.5 [mm] (0.256")
Tooling: SW 22
Material: Austenitic Stainless Steel / NBR (Buna-N)
Temperature Range: -30°C to 120°C (-20°F to 250°F)

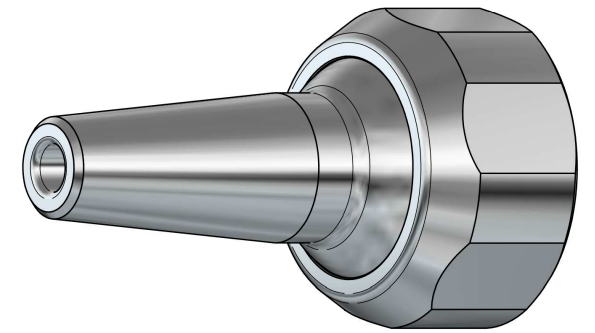
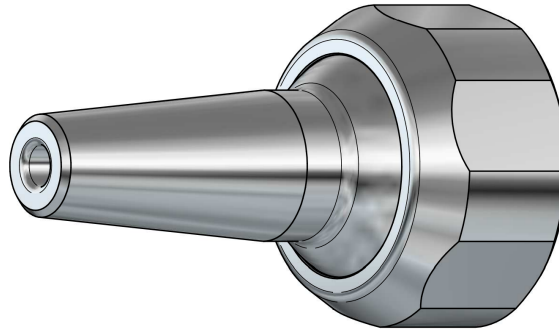
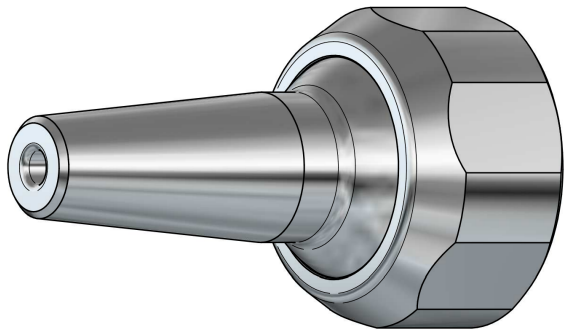
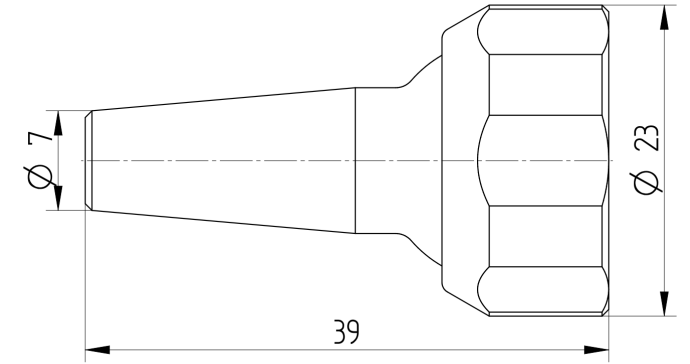
JH06-D25



JH06-D30



JH06-D35



S06 Chain Jet Basic 2.5 mm

SmarTec Line: S06
 External Diameter: 23 [mm] (0.9")
 Effective Length: 39 [mm] (1.54")
 Jet Diameter: 2.5 [mm] (0.1")
 Tooling: SW 22
 Material: Austenitic Stainless Steel / NBR (Buna-N)
 Temperature Range: -30°C to 120°C (-20°F to 250°F)

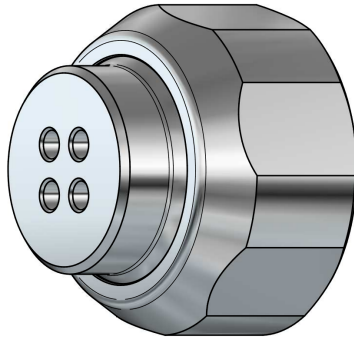
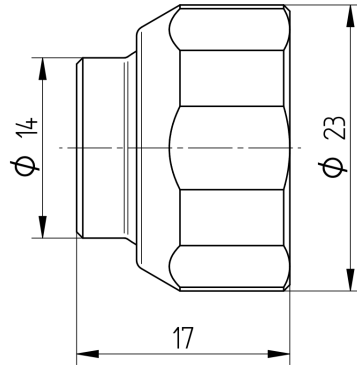
S06 Chain Jet Basic 3 mm

SmarTec Line: S06
 External Diameter: 23 [mm] (0.9")
 Effective Length: 39 [mm] (1.54")
 Jet Diameter: 3 [mm] (0.12")
 Tooling: SW 22
 Material: Austenitic Stainless Steel / NBR (Buna-N)
 Temperature Range: -30°C to 120°C (-20°F to 250°F)

S06 Chain Jet Basic 3.5 mm

SmarTec Line: S06
 External Diameter: 23 [mm] (0.9")
 Effective Length: 39 [mm] (1.54")
 Jet Diameter: 3.5 [mm] (0.14")
 Tooling: SW 22
 Material: Austenitic Stainless Steel / NBR (Buna-N)
 Temperature Range: -30°C to 120°C (-20°F to 250°F)

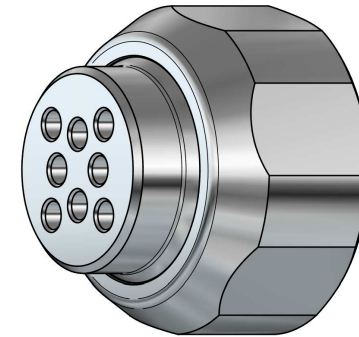
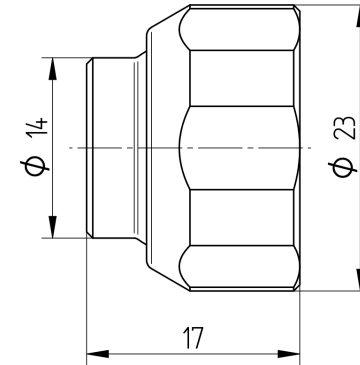
JM06-A04



S06 Chain Jet Basic 4 Jets

SmarTec Line: S06
External Diameter: 23 [mm] (0.9")
Effective Length: 17 [mm] (0.67")
Jet Diameter: 2 [mm] (0.08")
Number of Jets: 4
Tooling: SW 22
Material: Austenitic Stainless Steel / NBR (Buna-N)
Temperature Range: -30°C to 120°C (-20°F to 250°F)

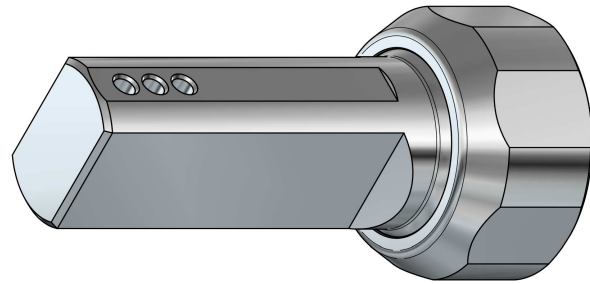
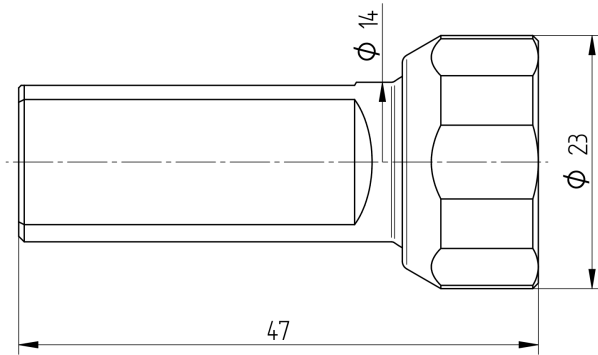
JM06-A08



S06 Chain Jet Basic 8 Jets

SmarTec Line: S06
External Diameter: 23 [mm] (0.9")
Effective Length: 17 [mm] (0.67")
Jet Diameter: 2 [mm] (0.08")
Number of Jets: 8
Tooling: SW 22
Material: Austenitic Stainless Steel / NBR (Buna-N)
Temperature Range: -30°C to 120°C (-20°F to 250°F)

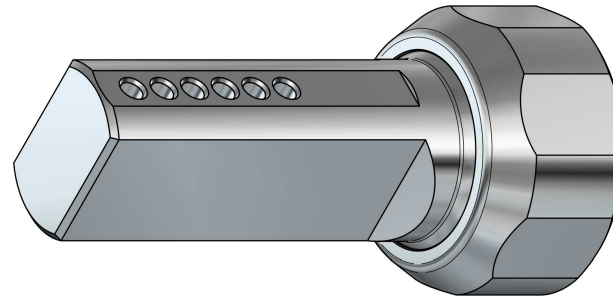
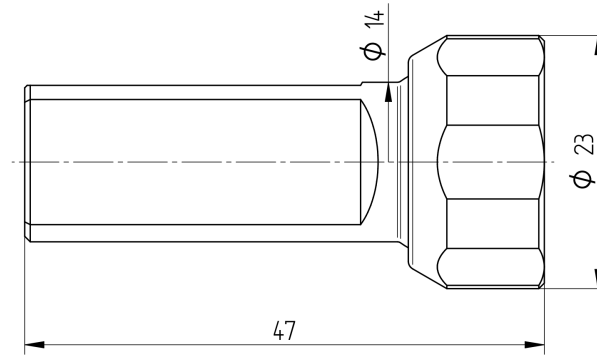
JM06-P03



S06 Chain Jet Extended 90° 3 Jets

SmarTec Line: S06
Angle: 90°
External Diameter: 23 [mm] (0.9")
Effective Length: 47 [mm] (1.85")
Jet Diameter: 2 [mm] (0.08")
Number of Jets: 3
Tooling: SW 22
Material: Austenitic Stainless Steel / NBR (Buna-N)
Temperature Range: -30°C to 120°C (-20°F to 250°F)

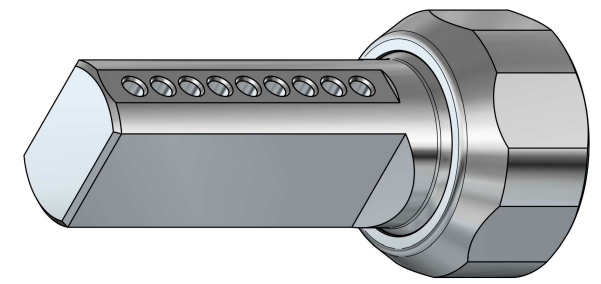
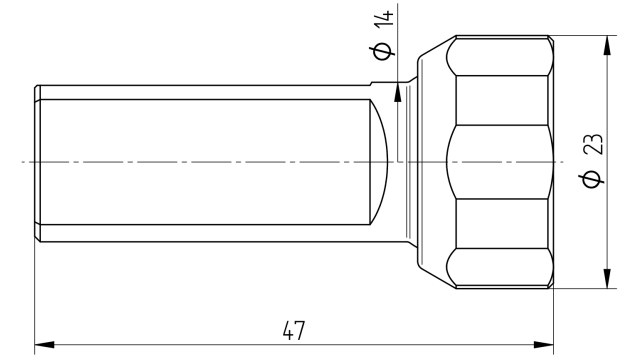
JM06-P06



S06 Chain Jet Extended 90° 6 Jets

SmarTec Line: S06
Angle: 90°
External Diameter: 23 [mm] (0.9")
Effective Length: 47 [mm] (1.85")
Jet Diameter: 2 [mm] (0.08")
Number of Jets: 6
Tooling: SW 22
Material: Austenitic Stainless Steel / NBR (Buna-N)
Temperature Range: -30°C to 120°C (-20°F to 250°F)

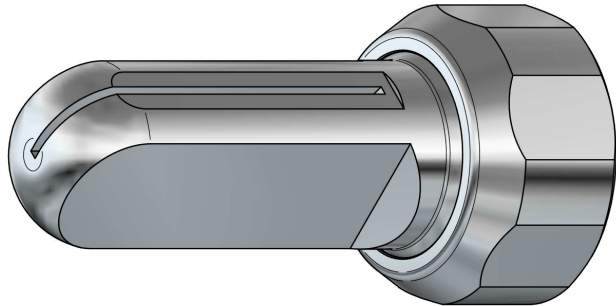
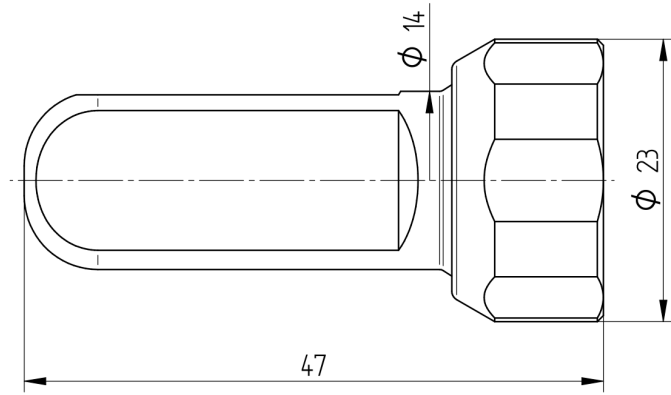
JM06-P09



S06 Chain Jet Extended 90° 9 Jets

SmarTec Line: S06
Angle: 90°
External Diameter: 23 [mm] (0.9")
Effective Length: 47 [mm] (1.85")
Jet Diameter: 2 [mm] (0.08")
Number of Jets: 9
Tooling: SW 22
Material: Austenitic Stainless Steel / NBR (Buna-N)
Temperature Range: -30°C to 120°C (-20°F to 250°F)

JM06-S30



S06 Chain Slot-Jet

SmarTec Line: S06

Slot Length: 30 [mm] (1.18")

Slot Thickness: 0.8 [mm] (0.03")

External Diameter: 23 [mm] (0.9")

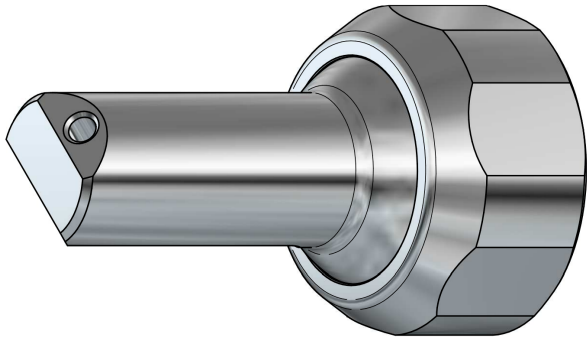
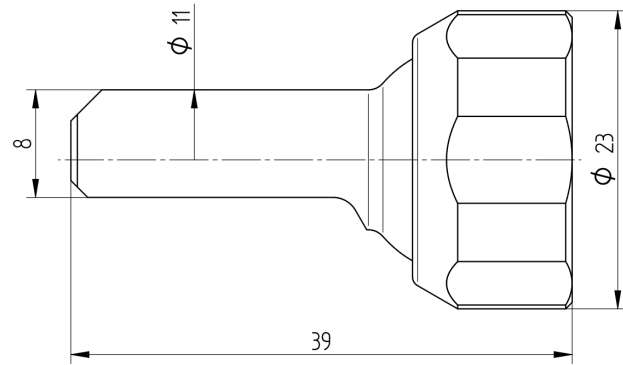
Effective Length: 47 [mm] (1.85")

Tooling: SW 22

Material: Austenitic Stainless Steel / NBR (Buna-N)

Temperature Range: -30°C to 120°C (-20°F to 250°F)

JF06-D20



S06 Chain Jet Extended 45° 2 mm

SmarTec Line: S06

Angle: 45°

External Diameter: 23 [mm] (0.9")

Effective Length: 39 [mm] (1.54")

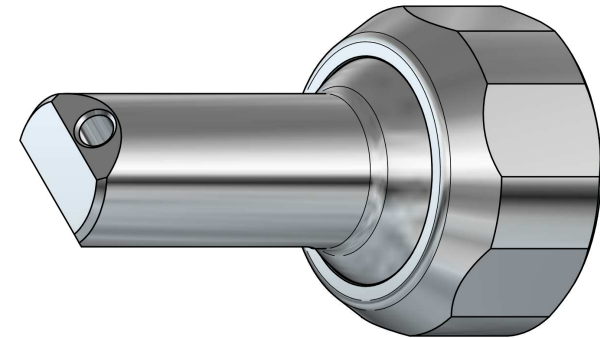
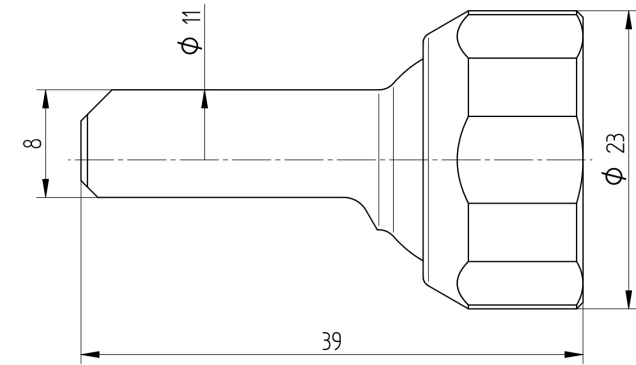
Jet Diameter: 2 [mm] (0.08")

Tooling: SW 22

Material: Austenitic Stainless Steel / NBR (Buna-N)

Temperature Range: -30°C to 120°C (-20°F to 250°F)

JF06-D25



S06 Chain Jet Extended 45° 2.5 mm

SmarTec Line: S06

Angle: 45°

External Diameter: 23 [mm] (0.9")

Effective Length: 39 [mm] (1.54")

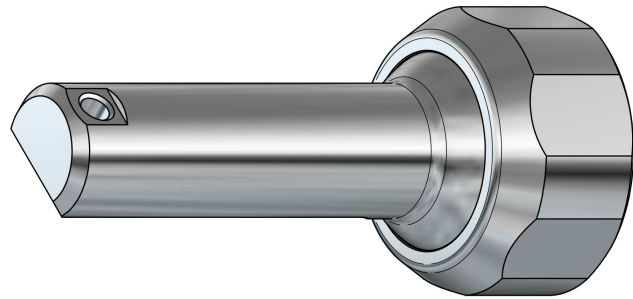
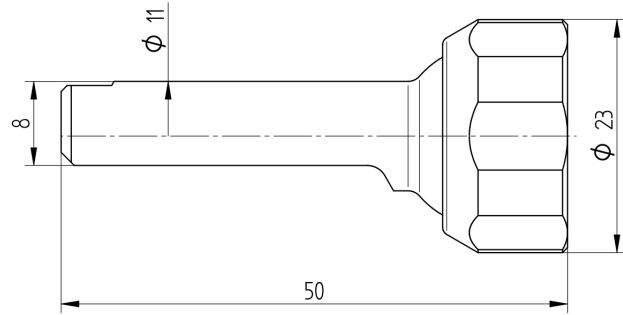
Jet Diameter: 2.5 [mm] (0.1")

Tooling: SW 22

Material: Austenitic Stainless Steel / NBR (Buna-N)

Temperature Range: -30°C to 120°C (-20°F to 250°F)

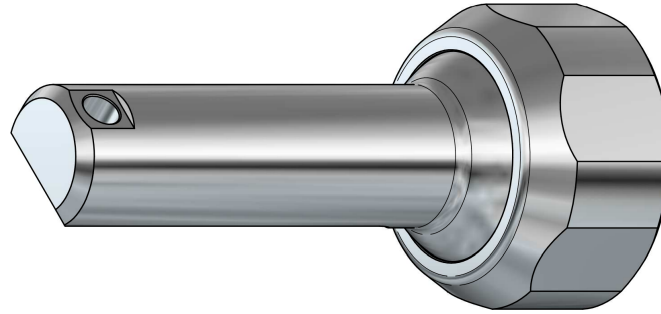
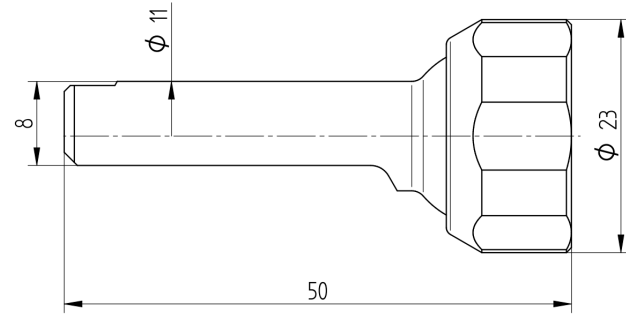
JP06-D25



S06 Chain Jet Extended 90° 2.5 mm

SmarTec Line: S06
Angle: 90 °
External Diameter: 23 [mm] (0.9")
Effective Length: 50 [mm] (1.97")
Jet Diameter: 2.5 [mm] (0.1")
Tooling: SW 22
Material: Austenitic Stainless Steel / NBR (Buna-N)
Temperature Range: -30°C to 120°C (-20°F to 250°F)

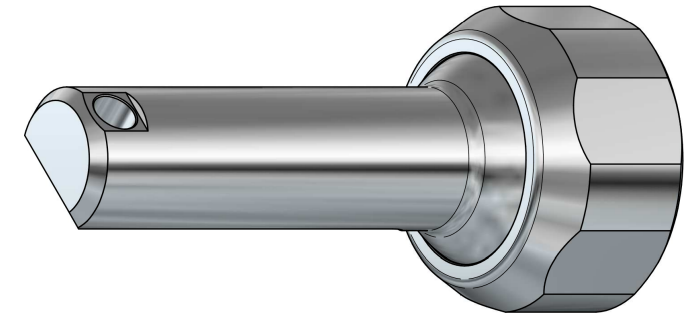
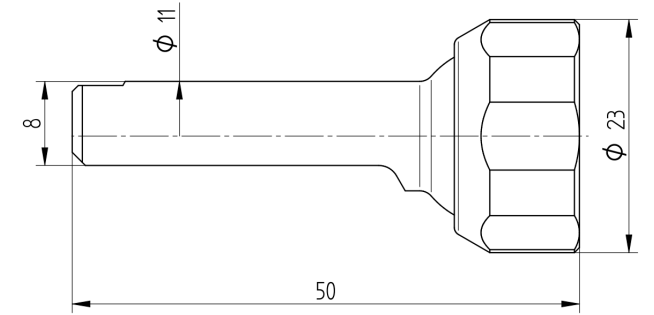
JP06-D30



S06 Chain Jet Extended 90° 3 mm

SmarTec Line: S06
Angle: 90 °
External Diameter: 23 [mm] (0.9")
Effective Length: 50 [mm] (1.97")
Jet Diameter: 3 [mm] (0.12")
Tooling: SW 22
Material: Austenitic Stainless Steel / NBR (Buna-N)
Temperature Range: -30°C to 120°C (-20°F to 250°F)

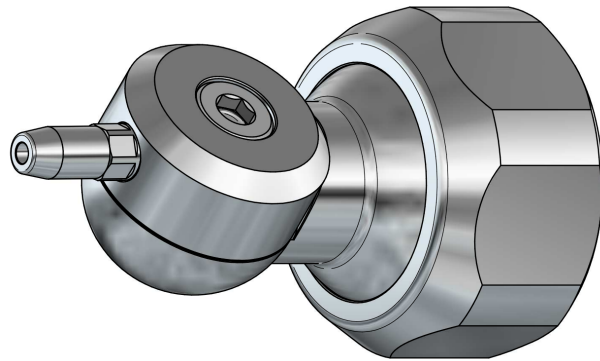
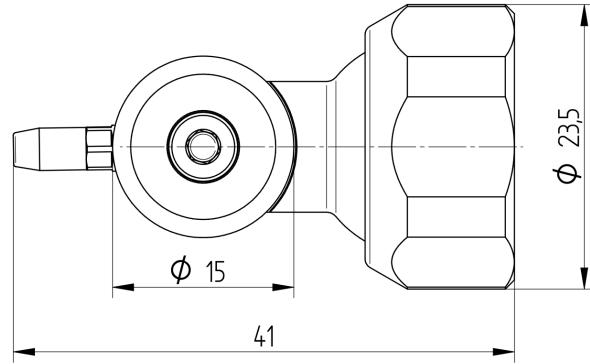
JP06-D35



S06 Chain Jet Extended 90° 3.5 mm

SmarTec Line: S06
Angle: 90 °
External Diameter: 23 [mm] (0.9")
Effective Length: 50 [mm] (1.97")
Jet Diameter: 3.5 [mm] (0.14")
Tooling: SW 22
Material: Austenitic Stainless Steel / NBR (Buna-N)
Temperature Range: -30°C to 120°C (-20°F to 250°F)

JV06-D14



S06 Chain Jet Variable 1.4 mm

SmarTec Line: S06

Angle: Variable

External Diameter: 23.5 [mm] (0.925")

Effective Length: 41 [mm] (1.614")

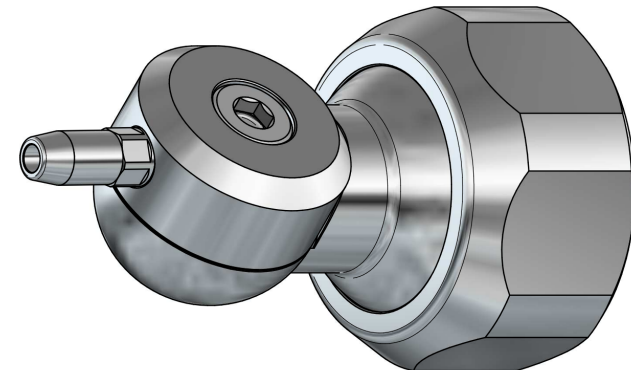
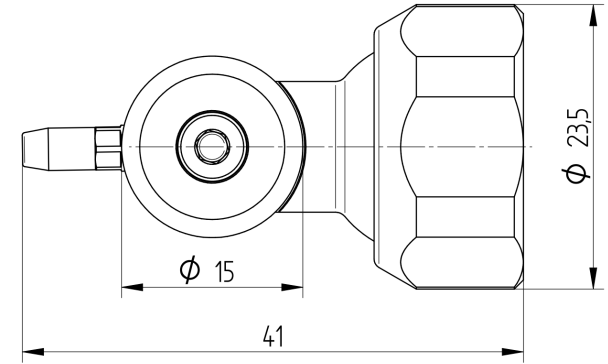
Jet Diameter: 1.4 [mm] (0.024")

Tooling: SW 22

Material: Austenitic Stainless Steel / NBR (Buna-N)

Temperature Range: -30°C to 120°C (-20°F to 250°F)

JV06-D18



S06 Chain Jet Variable 1.8 mm

SmarTec Line: S06

Angle: Variable

External Diameter: 23.5 [mm] (0.925")

Effective Length: 41 [mm] (1.614")

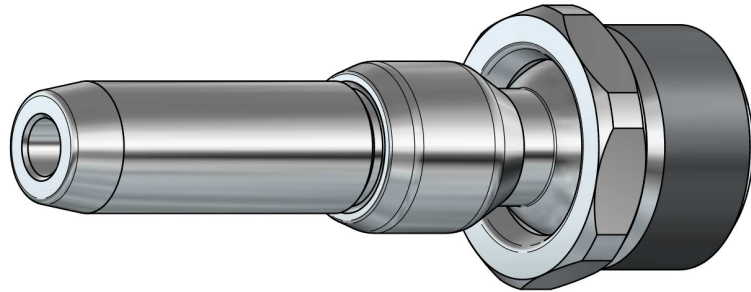
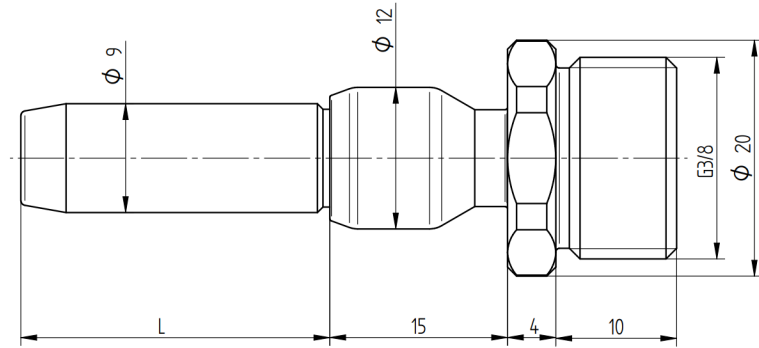
Jet Diameter: 1.8 [mm] (0.047")

Tooling: SW 22

Material: Austenitic Stainless Steel / NBR (Buna-N)

Temperature Range: -30°C to 120°C (-20°F to 250°F)

JB06

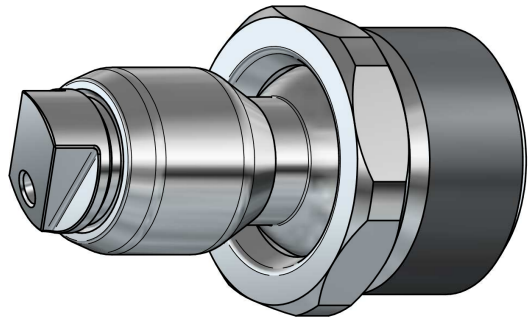
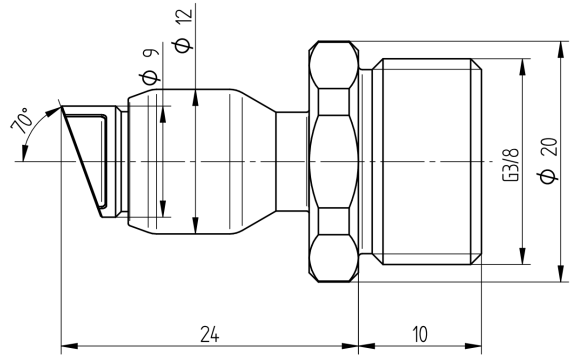


Cat No.	L	D
JB06-S20	15	2.0
JB06-S40	15	4.0
JB06-S60	15	6.0
JB06-M20	30	2.0
JB06-M40	30	4.0
JB06-M60	30	6.0
JB06-L20	60	2.0
JB06-L40	60	4.0
JB06-L60	60	6.0

S06 Block Jet Straight Modular

SmarTec Line: S06
 External Diameter: 20 [mm] (0.79")
 Effective Length: 34, 49, 79 [mm] (1.34", 1.93", 3.1")
 Jet Diameter: 2, 4, 6 [mm] (0.08", 0.16", 0.24")
 Tooling: SW 18
 Thread: G3/8
 Material: Austenitic Stainless Steel / NBR (Buna-N)
 Temperature Range: -30°C to 120°C (-20°F to 250°F)

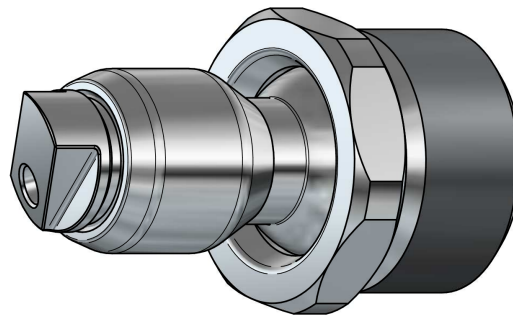
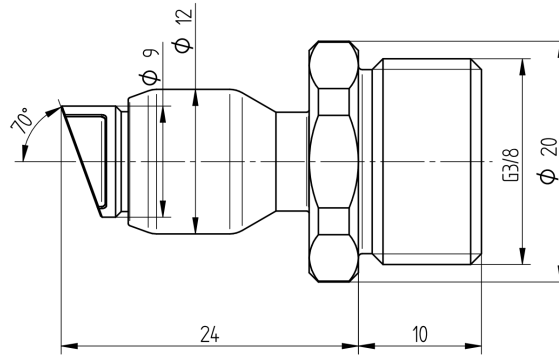
JB06-V20



S06 Block Jet 0° to 40° 2 mm

SmarTec Line: S06
External Diameter: 20 [mm] (0.79")
Effective Length: 24 [mm] (0.94)
Jet Diameter: 2 [mm] (0.08")
Max Horizontal Angle: 40°
Min Horizontal Angle: 0°
Tooling: SW 18
Thread: G3/8
Material: Austenitic Stainless Steel / NBR (Buna-N)
Temperature Range: -30°C to 120°C (-20°F to 250°F)

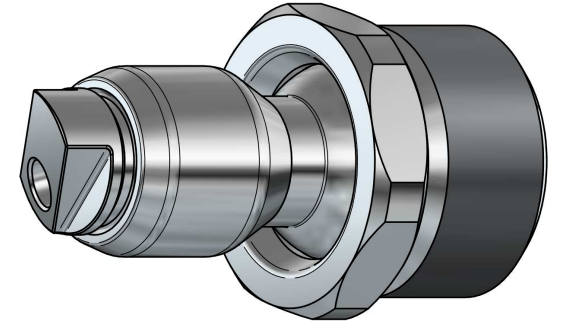
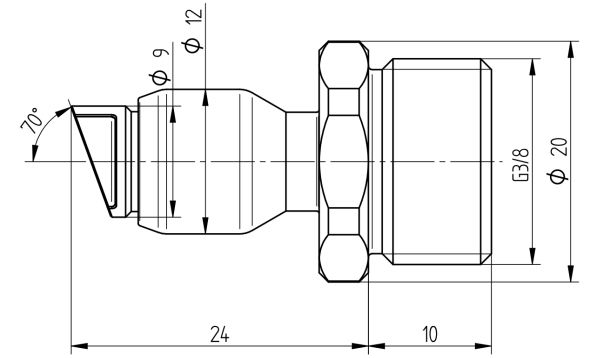
JB06-V25



S06 Block Jet 0° to 40° 2.5 mm

SmarTec Line: S06
External Diameter: 20 [mm] (0.79")
Effective Length: 24 [mm] (0.94)
Jet Diameter: 2.5 [mm] (0.1")
Max Horizontal Angle: 40°
Min Horizontal Angle: 0°
Tooling: SW 18
Thread: G3/8
Material: Austenitic Stainless Steel / NBR (Buna-N)
Temperature Range: -30°C to 120°C (-20°F to 250°F)

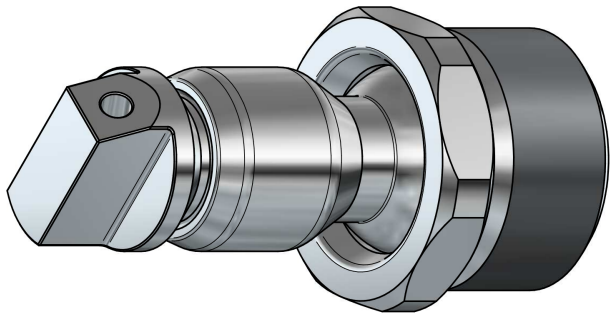
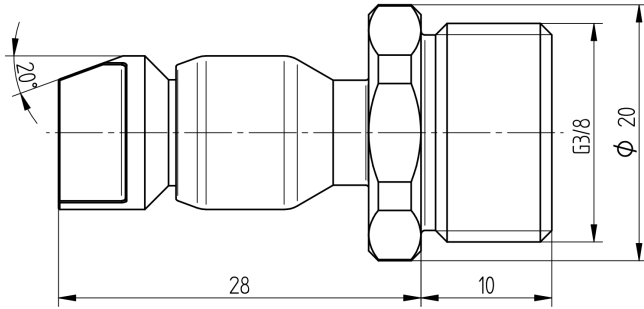
JB06-V30



S06 Block Jet 0° to 40° 3 mm

SmarTec Line: S06
External Diameter: 20 [mm] (0.79")
Effective Length: 24 [mm] (0.94)
Jet Diameter: 3 [mm] (0.12")
Max Horizontal Angle: 40°
Min Horizontal Angle: 0°
Tooling: SW 18
Thread: G3/8
Material: Austenitic Stainless Steel / NBR (Buna-N)
Temperature Range: -30°C to 120°C (-20°F to 250°F)

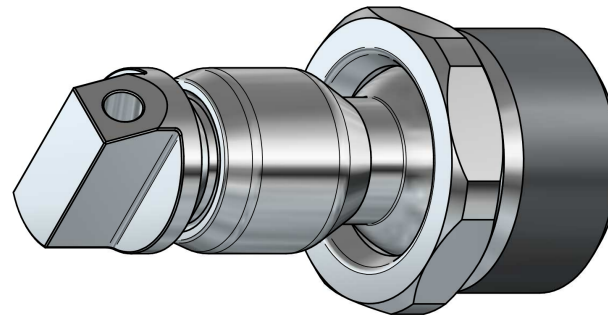
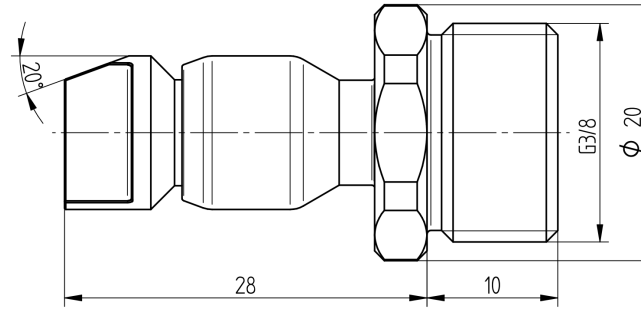
JB06-W20



S06 Block Jet 50° to 90° 2 mm

SmarTec Line: S06
External Diameter: 20 [mm] (0.79")
Effective Length: 28 [mm] (1.1")
Jet Diameter: 2 [mm] (0.08")
Max Horizontal Angle: 90°
Min Horizontal Angle: 50°
Tooling: SW 18
Thread: G3/8
Material: Austenitic Stainless Steel / NBR (Buna-N)
Temperature Range: -30°C to 120°C (-20°F to 250°F)

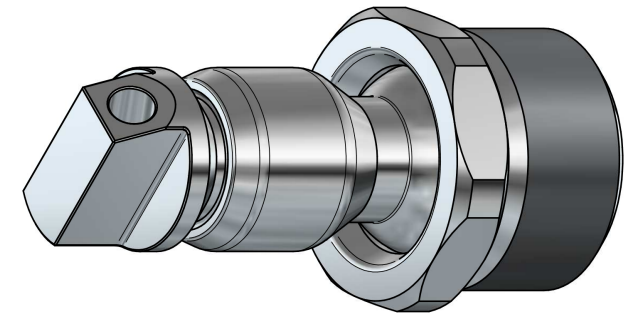
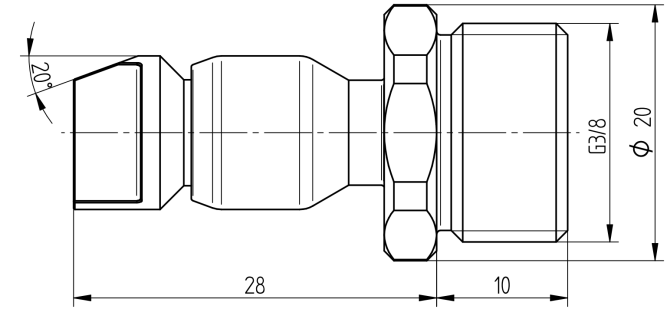
JB06-W25



S06 Block Jet 50° to 90° 2.5 mm

SmarTec Line: S06
External Diameter: 20 [mm] (0.79")
Effective Length: 28 [mm] (1.1")
Jet Diameter: 2.5 [mm] (0.1")
Max Horizontal Angle: 90°
Min Horizontal Angle: 50°
Tooling: SW 18
Thread: G3/8
Material: Austenitic Stainless Steel / NBR (Buna-N)
Temperature Range: -30°C to 120°C (-20°F to 250°F)

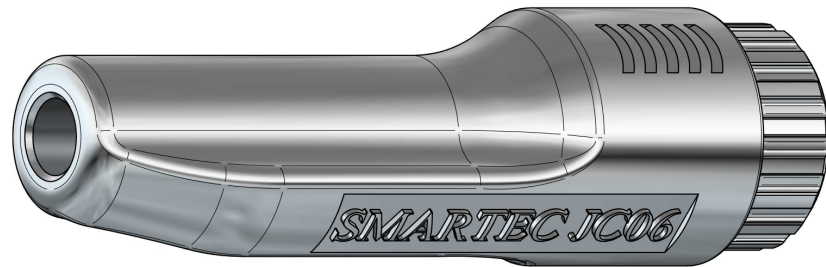
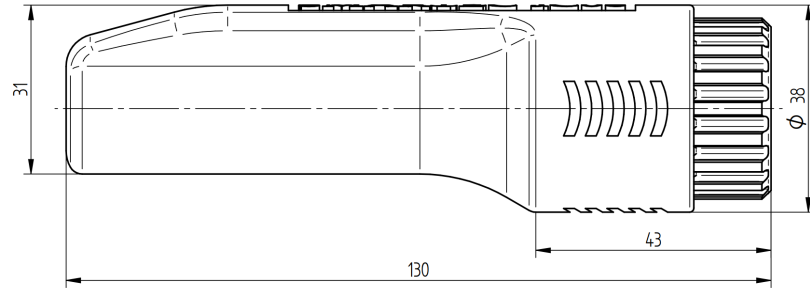
JB06-W30



S06 Block Jet 50° to 90° 3 mm

SmarTec Line: S06
External Diameter: 20 [mm] (0.79")
Effective Length: 28 [mm] (1.1")
Jet Diameter: 3 [mm] (0.12")
Max Horizontal Angle: 90°
Min Horizontal Angle: 50°
Tooling: SW 18
Thread: G3/8
Material: Austenitic Stainless Steel / NBR (Buna-N)
Temperature Range: -30°C to 120°C (-20°F to 250°F)

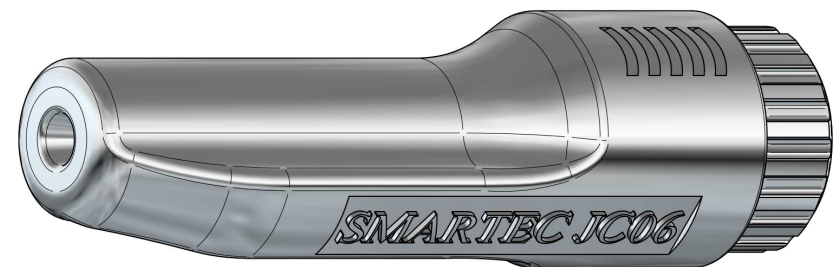
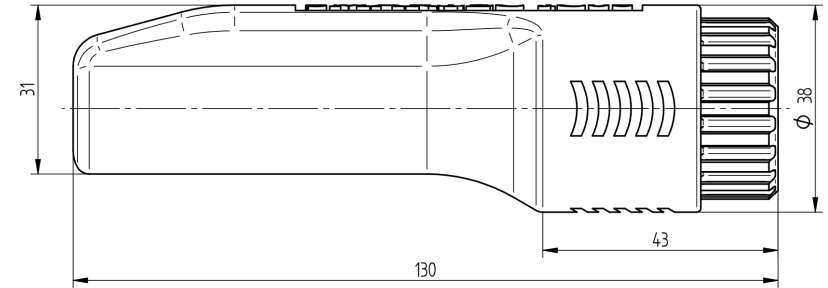
JC06-TH



S06 Vortex Tube Jet Thread G1/4 Exit

SmarTec Line: S06
External Diameter: 38 [mm] (1.5")
Effective Length: 130 [mm] (5.1")
Internal Diameter: 5 [mm] (0.2")
Inlet Thread: G3/4
Exit Type: Thread G1/4
Calibration Tooling: Allen 4
Material: Polyamide
Temperature Range: - 40°C to 120°C

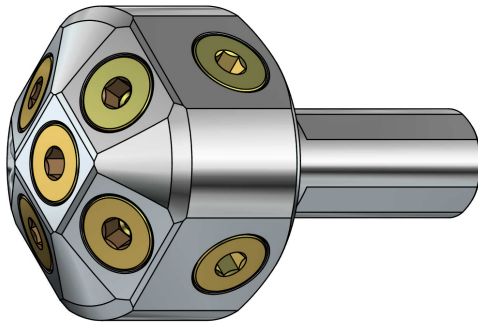
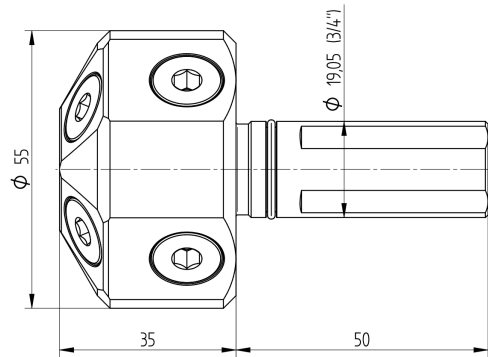
JC06-CN



S06 Vortex Tube Jet Conical Exit

SmarTec Line: S06
External Diameter: 38 [mm] (1.5")
Effective Length: 130 [mm] (5.1")
Internal Diameter: 5 [mm] (0.2")
Inlet Thread: G3/4
Exit Type: Conical
Calibration Tooling: Allen 4
Material: Polyamide
Temperature Range: - 40°C to 120°C

JR06-IN



S06 Machine Cleaning Jet Imperial

SmarTec Line: S06

External Diameter: 55 [mm] (2.165")

Clamping Diameter: 19.05 [mm] (0.75")

Clamping Length: 50 [mm] (1.97")

Effective Length: 35 [mm] (1.38")

Internal Diameter: 6.5 [mm] (0.256")

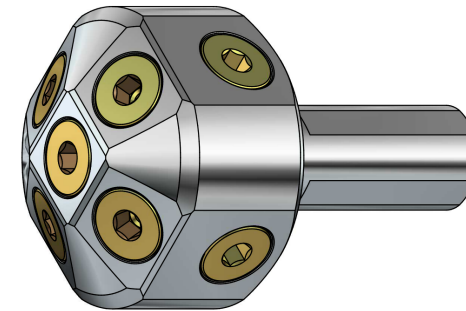
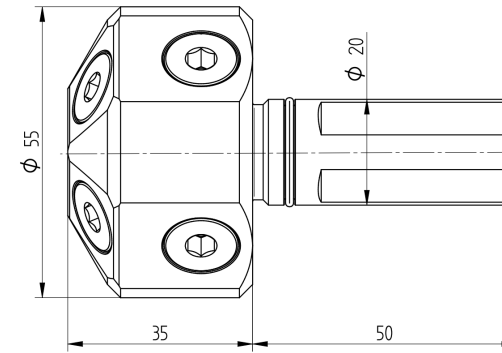
Flats: 18

Thread: G1/4

Material: Austenitic Stainless Steel / NBR / Brass

Temperature Range: -30°C to 120°C (-20°F to 250°F)

JR06-ME



S06 Machine Cleaning Jet Metric

SmarTec Line: S06

External Diameter: 55 [mm] (2.165")

Clamping Diameter: 20 [mm] (0.79")

Clamping Length: 50 [mm] (1.97")

Effective Length: 35 [mm] (1.38")

Internal Diameter: 6.5 [mm] (0.256")

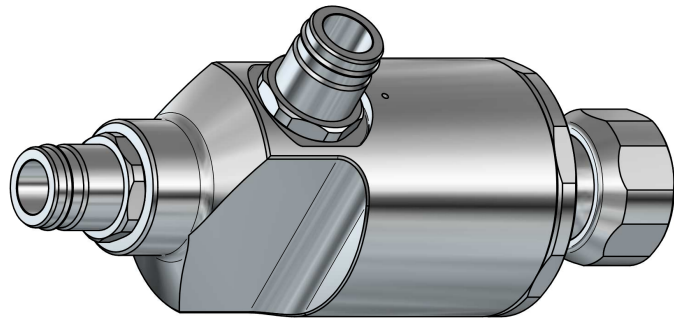
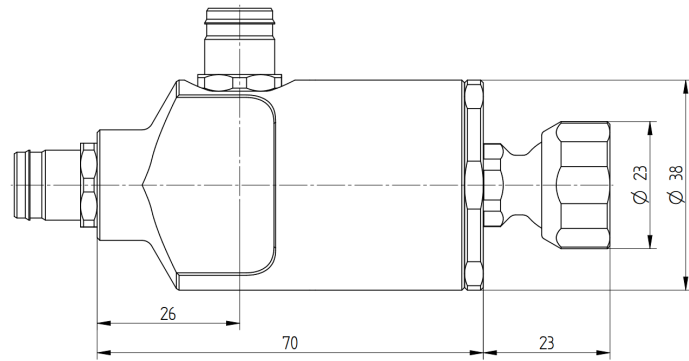
Flats: 18

Thread: G1/4

Material: Austenitic Stainless Steel / NBR / Brass

Temperature Range: -30°C to 120°C (-20°F to 250°F)

VL06



S06 Mechanical Valve

SmarTec Line: S06

External Diameter: 38 [mm] (1.5")

Effective Length: 81 [mm] (3.2")

Internal Diameter: 6.5 [mm] (0.256")

Air Fittings connection: G1/4

Tooling: SW 22

Material: Austenitic Stainless Steel / NBR (Buna-N)

Temperature Range: -30°C to 120°C (-20°F to 250°F)

KIT 06

KIT 06 – CONT'

KIT 06						KIT 06 – CONT'					
No.	Element	KIT03 S	KIT03 M	KIT03 L	Notes	No.	Element	KIT03 S	KIT03 M	KIT03 L	Notes
1	AJ06	1	1	2		26	JB06-V20		1	2	
2	AM06-G125	1	1	3		27	JB06-V25	1	1	2	
3	AM06-G250	1	1	3		28	JB06-V30		2	2	
4	AM06-G375	1	1	3		29	JB06-W20		1	2	
5	AS06-TS03		1	1		30	JB06-W25	1	1	2	
6	CH06-AS	10	20	40		31	JB06-W30		1	2	
7	CH06-AM	2	5	10		32	JH06-D25	1	1	2	
8	CH06-AL	2	5	5		33	JH06-D30		1	2	
9	CH06-FS	2	2	5		34	JH06-D35		1	2	
10	CH06-FM		2	5		35	JF06-D20		1	2	
11	CH06-FL	2	2	5		36	JF06-D25	1	1	2	
12	CH06-PS	2	2	5		37	JP06-D25	1	1	2	
13	CH06-PM		2	5		38	JP06-D30		1	2	
14	CH06-PL	2	2	5		39	JP06-D35		1	2	
15	CH06-TS	2	2	5		40	JM06-A04	1	1	2	
16	CH06-TM		2	5		41	JM06-A08		1	2	
17	CH06-TL	2	2	5		42	JM06-P03	1	1	2	
18	CH06-YS	2	2	5		43	JM06-P06			1	
19	CH06-YM	2	2	5		44	JM06-P09		1	1	
20	CH06-YL	2	2	5		45	JC06-TH			1	
21	CH06-EF		2	5		46	JC06-CN			1	
22	CH06-ER		2	5		47	JR06-IN			1	
23	JD06	1	2	2		48	JR06-ME	1	1	1	
24	JS06	1	2	2		49	VL06		1	1	
25	JB06-SML			1	9 units		Total Units	46	88	191	