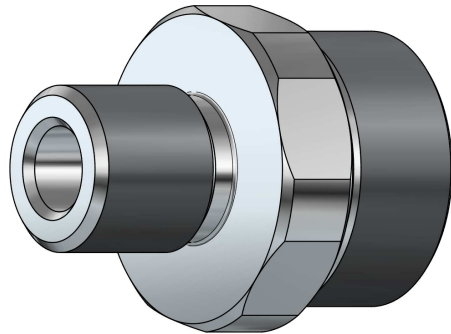
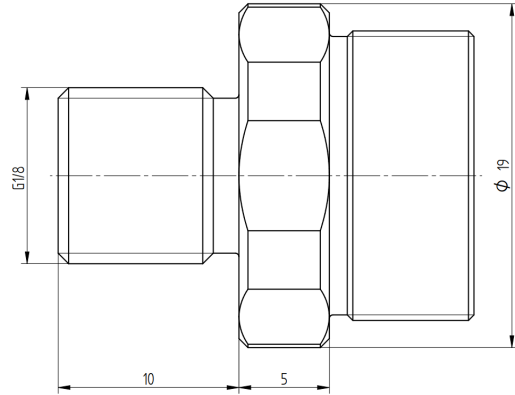


SMARTEC

Contact: marketing@smartec-tools.com

Series 03

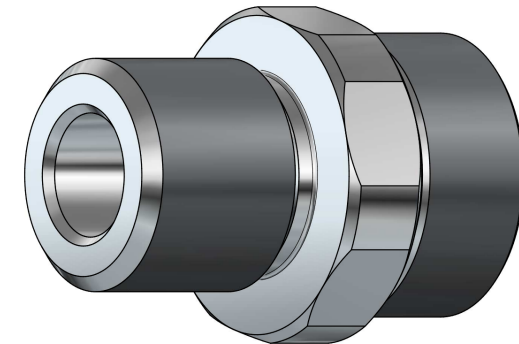
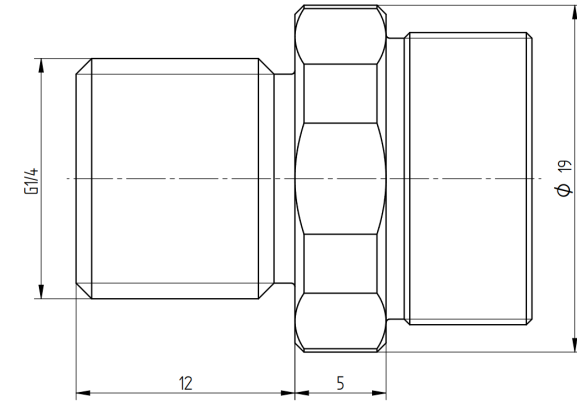
AM03-G125



S03 Machine Adaptor G1/8

SmarTec Line: S03
External Diameter: 19 [mm] (0.75")
Effective Length: 5 [mm] (0.2")
Internal Diameter: 3.5 [mm] (0.14")
Tooling: SW 18
Thread: G1/8
Material: Austenitic Stainless Steel
Temperature Range: -30°C to 120°C (-20°F to 250°F)

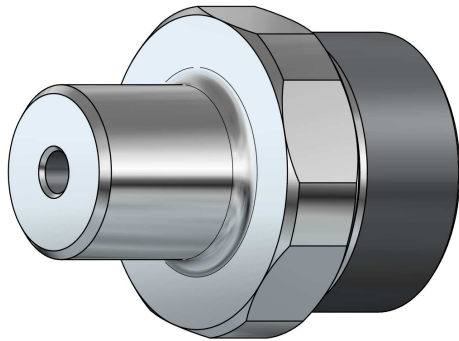
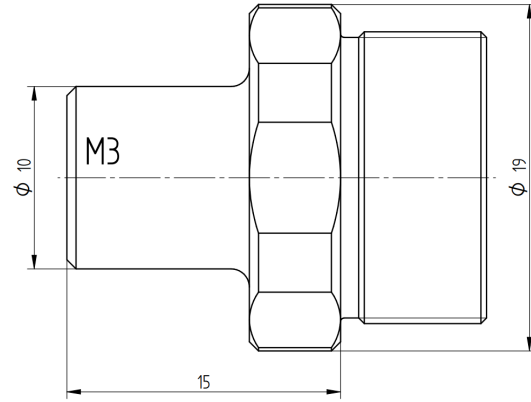
AM03-G250



S03 Machine Adaptor G1/4

SmarTec Line: S03
External Diameter: 19 [mm] (0.75")
Effective Length: 5 [mm] (0.2")
Internal Diameter: 3.5 [mm] (0.14")
Tooling: SW 18
Thread: G1/4
Material: Austenitic Stainless Steel
Temperature Range: -30°C to 120°C (-20°F to 250°F)

AP03-M3



S03 Plug Adaptor M3

SmarTec Line: S03

Connecting peripheral equipment to magnetic Base

External Diameter: 19 [mm] (0.75")

Effective Length: 15 [mm] (0.59")

Tooling: SW 18

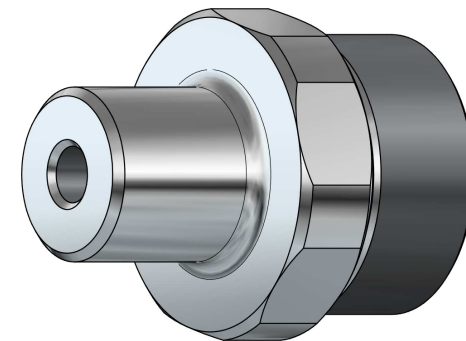
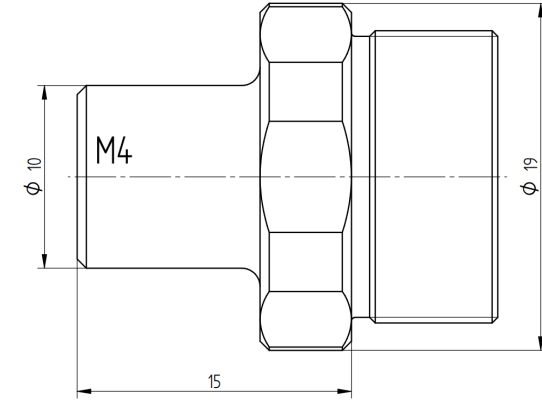
Internal Thread: M3

Thread Length: 10 mm (0.39")

Material: Austenitic Stainless Steel

Temperature Range: -30°C to 120°C (-20°F to 250°F)

AP03-M4



S03 Plug Adaptor M4

SmarTec Line: S03

Connecting peripheral equipment to magnetic Base

External Diameter: 19 [mm] (0.75")

Effective Length: 15 [mm] (0.59")

Tooling: SW 18

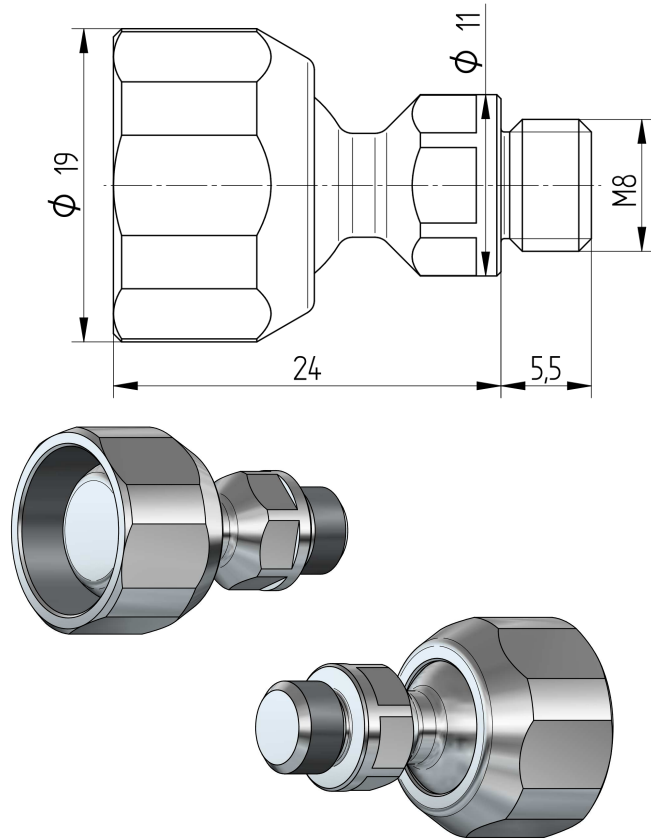
Internal Thread: M4

Thread Length: 10 mm (0.39")

Material: Austenitic Stainless Steel

Temperature Range: -30°C to 120°C (-20°F to 250°F)

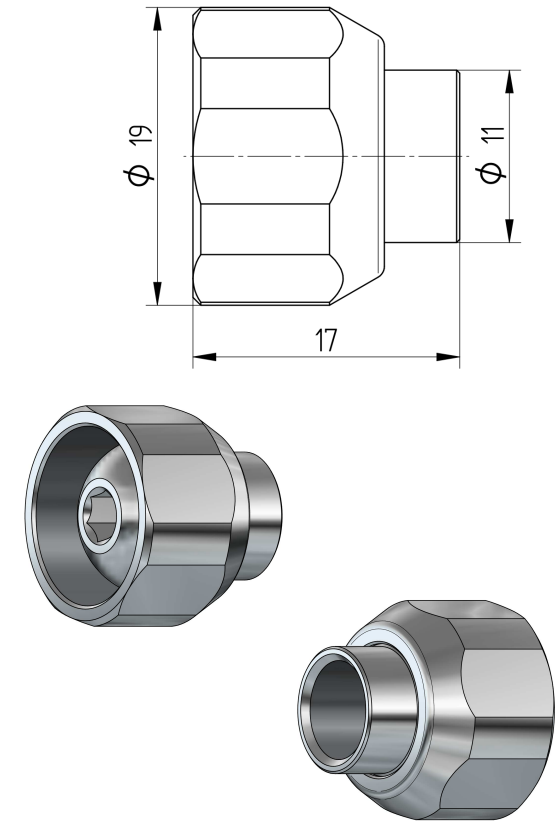
PE03-M8



S03 Chain Plug External M8

SmarTec Line: S03
Connection to Magnetic Base
External Diameter: 19 [mm] (0.75")
Effective Length: 24 [mm] (0.95")
External Thread: M8 P1.25
Thread Length: 5.5 [mm] (0.22")
Tooling: SW 18, SW 10
Material: Austenitic Stainless Steel / NBR (Buna-N)
Temperature Range: -30°C to 120°C (-20°F to 250°F)

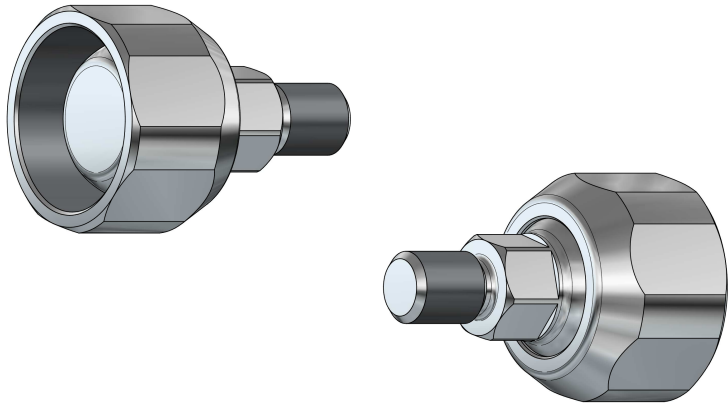
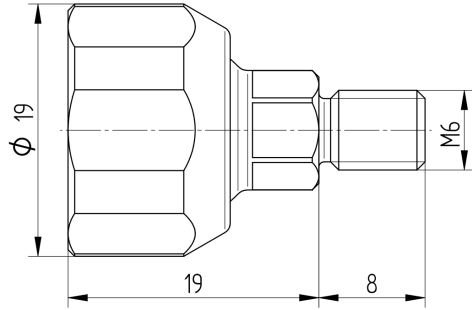
PG03-G125



S03 Chain Plug Internal G1/8

SmarTec Line: S03
Connection to Pressure Gage
External Diameter: 19 [mm] (0.75")
Effective Length: 17 [mm] (0.67")
Internal Thread: G1/8
Thread Length: 10 [mm] (0.4")
Tooling: SW18, Allen Key 4 [mm]
Material: Austenitic Stainless Steel / NBR (Buna-N)
Temperature Range: -30°C to 120°C (-20°F to 250°F)

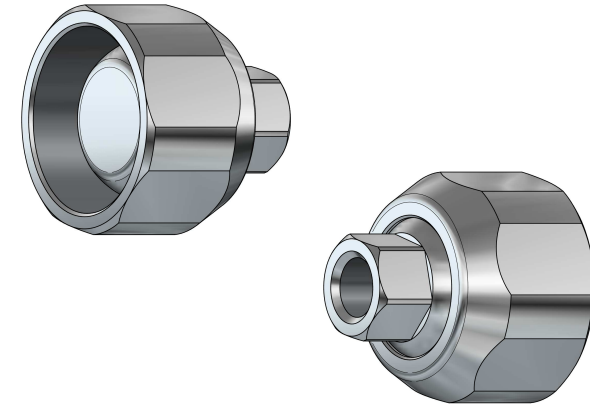
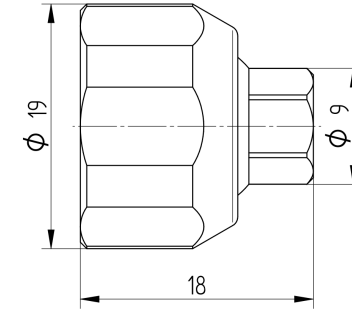
PC03-M6M



S03 Chain Plug M6 Male

SmarTec Line: S03
General Connection
External Diameter: 19 [mm] (0.75")
Effective Length: 19 [mm] (0.75")
Thread: External M6 P1
Thread Length: 10 [mm] (0.4")
Tooling: SW 18, SW 8
Material: Austenitic Stainless Steel / NBR (Buna-N)
Temperature Range: -30°C to 120°C (-20°F to 250°F)

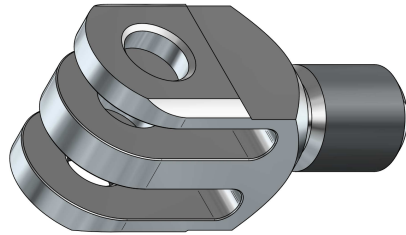
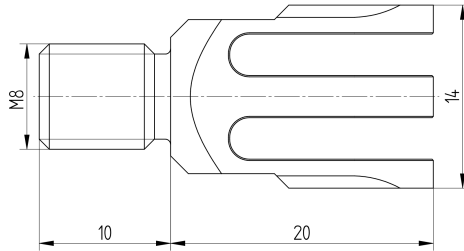
PC03-M6F



S03 Chain Plug M6 Female

SmarTec Line: S03
General Connection
External Diameter: 19 [mm] (0.75")
Effective Length: 18 [mm] (0.7")
Thread: Internal M6 P1
Thread Length: 10 [mm] (0.4")
Tooling: SW 18, SW 8
Material: Austenitic Stainless Steel / NBR (Buna-N)
Temperature Range: -30°C to 120°C (-20°F to 250°F)

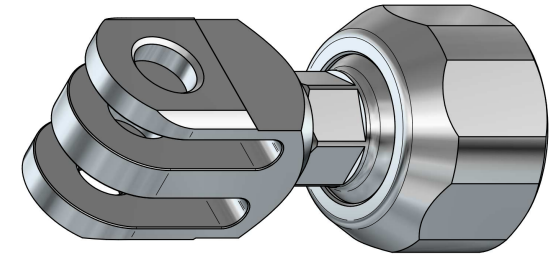
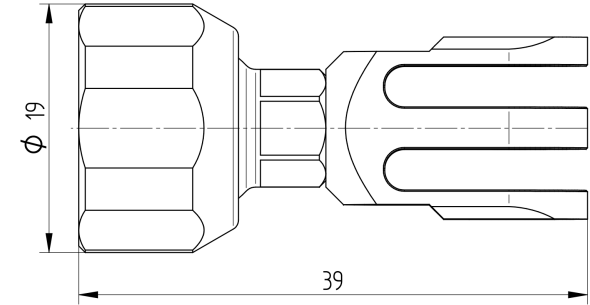
PC00-GPM8



Go-Pro Connector M8

SmarTec Line: General
Go-Pro Connection – M8
Connection to Magnetic Base
External Diameter: 17 [mm] (0.67")
Effective Length: 20 [mm] (1.53")
Thread: M5
Tooling: SW 12
Material: Austenitic Stainless Steel / NBR (Buna-N)
Temperature Range: -30°C to 120°C (-20°F to 250°F)

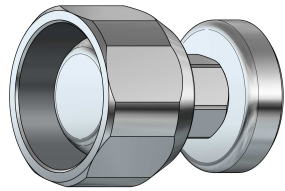
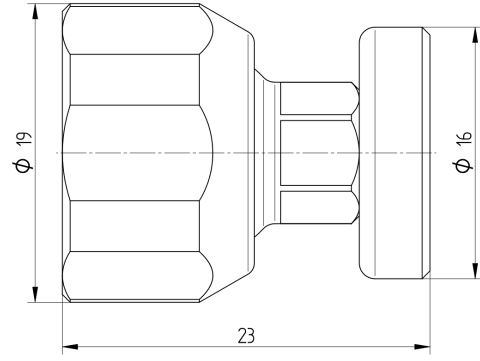
PC03-GP



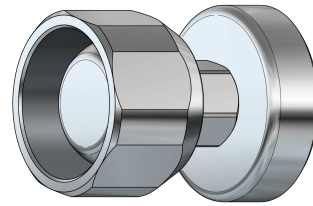
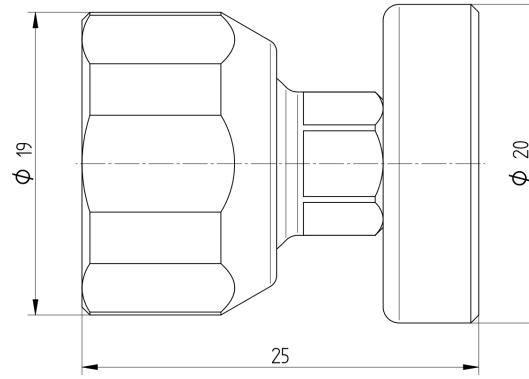
S03 Chain Plug Go-Pro Connector

SmarTec Line: S03
Go-Pro Connection
External Diameter: 19 [mm] (0.75")
Effective Length: 39 [mm] (1.53")
Thread: M5
Tooling: SW 18
Material: Austenitic Stainless Steel / NBR (Buna-N)
Temperature Range: -30°C to 120°C (-20°F to 250°F)

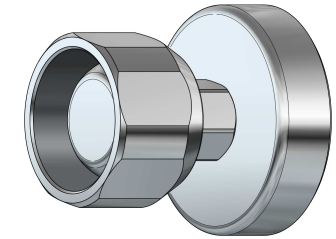
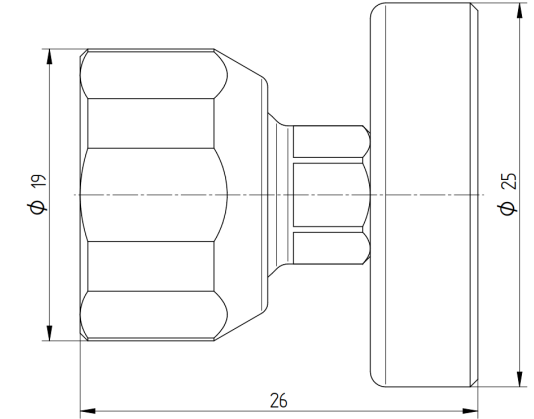
PM03-F10



PM03-F15



PM03-F20



S03 Magnet Connection 10Kg

SmarTec Line: S03
Magnetic Base: approximately 10 Kgf (22 lbf)
Clamping Force: 90 N
External Diameter: 19 [mm] (0.75")
Effective Length: 23 [mm] (0.9")
Magnet Diameter: 16 mm (0.63")
Tooling: SW 18
Material: Austenitic Stainless Steel / NBR (Buna-N)
Magnet Type: Neodymium with Nickel plate
Temperature Range: -30°C to 120°C (-20°F to 250°F)

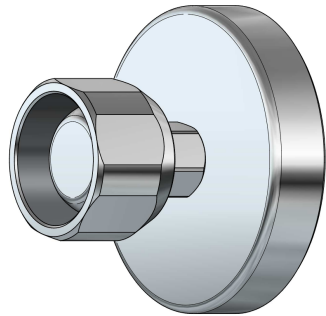
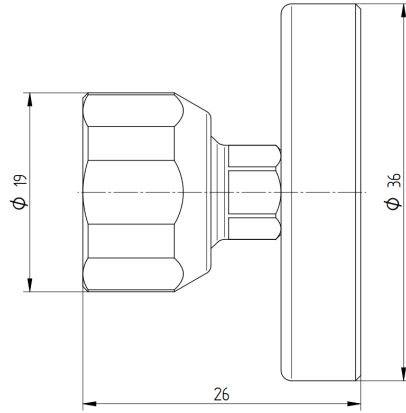
S03 Magnet Connection 15Kg

SmarTec Line: S03
Magnetic Base: approximately 15 Kgf (33 lbf)
Clamping Force: 135 N
External Diameter: 19 [mm] (0.75")
Effective Length: 25 [mm] (0.98")
Magnet Diameter: 20 mm (0.787")
Tooling: SW 18
Material: Austenitic Stainless Steel / NBR (Buna-N)
Magnet Type: Neodymium with Nickel plate
Temperature Range: -30°C to 120°C (-20°F to 250°F)

S03 Magnet Connection 20Kg

SmarTec Line: S03
Magnetic Base: approximately 20 Kgf (44 lbf)
Clamping Force: 195 N
External Diameter: 19 [mm] (0.75")
Effective Length: 26 [mm] (1.02")
Magnet Diameter: 25 mm (0.98")
Tooling: SW 18
Material: Austenitic Stainless Steel / NBR (Buna-N)
Magnet Type: Neodymium with Nickel plate
Temperature Range: -30°C to 120°C (-20°F to 250°F)

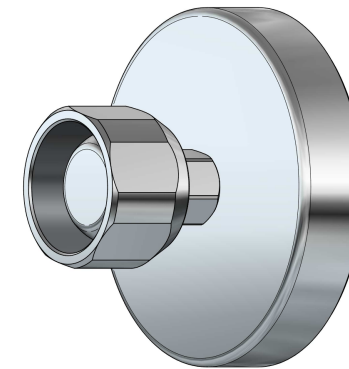
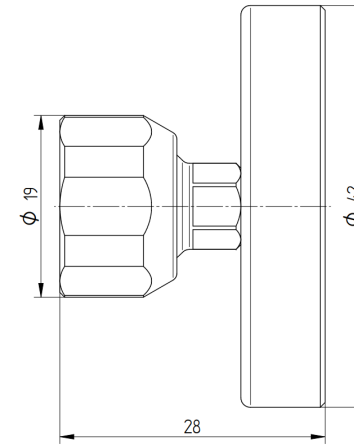
PM03-F40



S03 Magnet Connection 40Kg

SmarTec Line: S03
Magnetic Base approximately 40 Kgf (88 lbf)
Clamping Force: 390 N
External Diameter: 19 [mm] (0.75")
Effective Length: 26 [mm] (1.02")
Magnet Diameter: 36 mm (1.42")
Tooling: SW 18
Material: Austenitic Stainless Steel / NBR (Buna-N)
Magnet Type: Neodymium with Nickel plate
Temperature Range: -30°C to 120°C (-20°F to 250°F)

PM03-F60

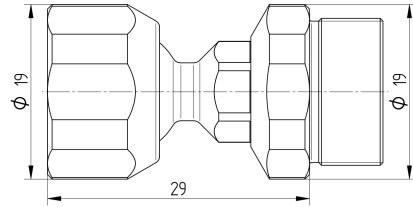


S03 Magnet Connection 60Kg

SmarTec Line: S03
Magnetic Base approximately 60 Kgf (132 lbf)
Clamping Force: 640 N
External Diameter: 19 [mm] (0.75")
Effective Length: 28 [mm] (1.1")
Magnet Diameter: 42 mm (1.65")
Tooling: SW 18
Material: Austenitic Stainless Steel / NBR (Buna-N)
Magnet Type: Neodymium with Nickel plate
Temperature Range: -30°C to 120°C (-20°F to 250°F)

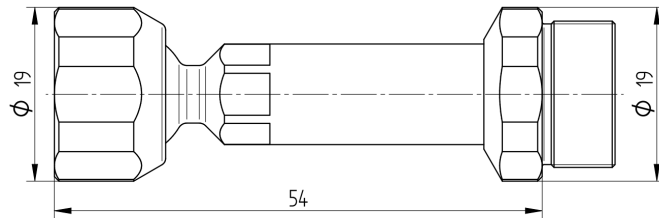
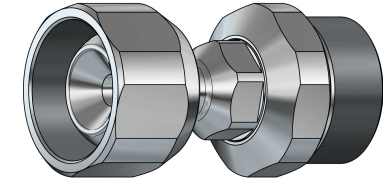
CH03A

S03 Chain Unit Straight Short



SmarTec Line: S03
External Diameter: 19 [mm] (0.75")
Effective Length: 29 [mm] (1.14")
Internal Diameter: 3.5 [mm] (0.14")
Tooling: SW 18
Material: Austenitic Stainless Steel / NBR (Buna-N)
Temperature Range: -30°C to 120°C (-20°F to 250°F)

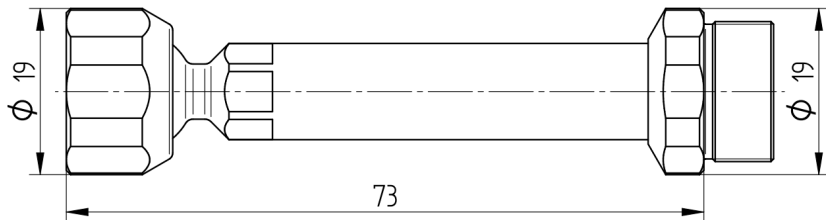
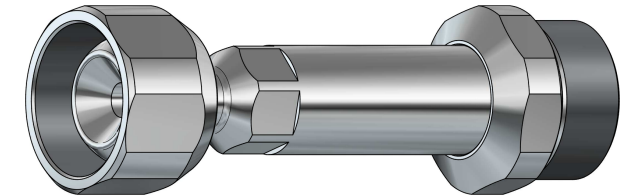
CH03-AS



S03 Chain Unit Straight Mean

SmarTec Line: S03
External Diameter: 19 [mm] (0.75")
Effective Length: 54 [mm] (2.126")
Internal Diameter: 3.5 [mm] (0.14")
Tooling: SW 18
Material: Austenitic Stainless Steel / NBR (Buna-N)
Temperature Range: -30°C to 120°C (-20°F to 250°F)

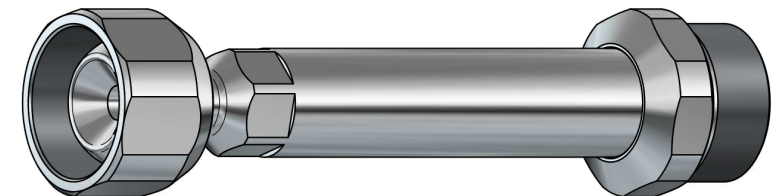
CH03-AM



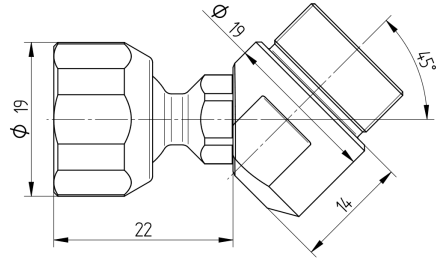
S03 Chain Unit Straight Long

SmarTec Line: S03
External Diameter: 19 [mm] (0.75")
Effective Length: 73 [mm] (2.87")
Internal Diameter: 3.5 [mm] (0.14")
Tooling: SW 18
Material: Austenitic Stainless Steel / NBR (Buna-N)
Temperature Range: -30°C to 120°C (-20°F to 250°F)

CH03-AL



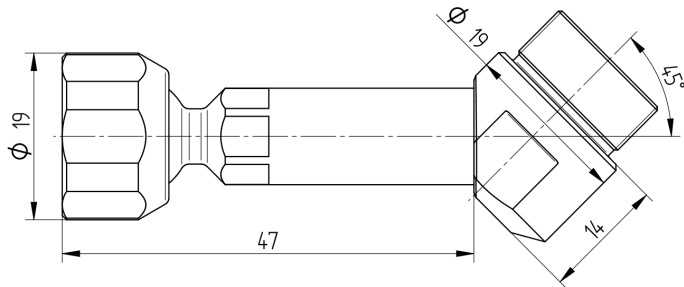
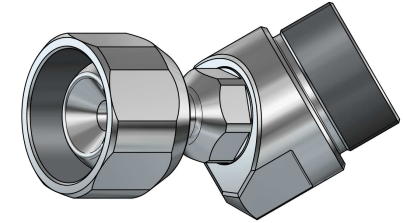
CH03F



S03 Chain Unit 45° Short

SmarTec Line: S03
Angle: 45°
External Diameter: 19 [mm] (0.75")
Effective Length: 22, 14 [mm] (0.87", 0.55")
Internal Diameter: 3.5 [mm] (0.14")
Tooling: SW 18
Material: Austenitic Stainless Steel / NBR (Buna-N)
Temperature Range: -30°C to 120°C (-20°F to 250°F)

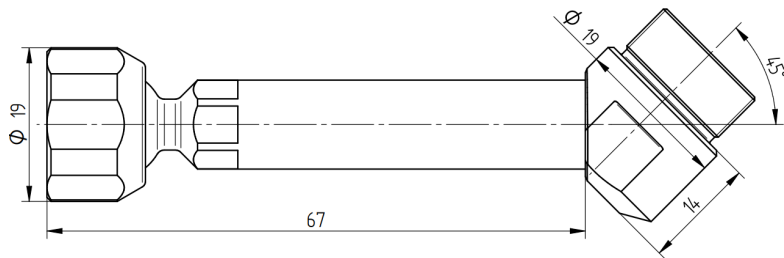
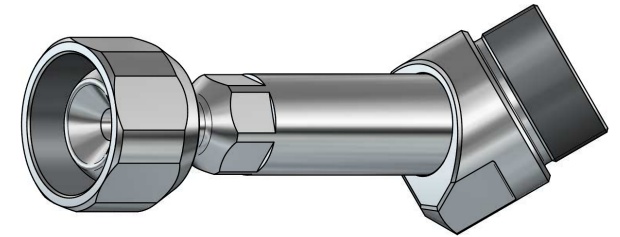
CH03-FS



S03 Chain Unit 45° Mean

SmarTec Line: S03
Angle: 45°
External Diameter: 19 [mm] (0.75")
Effective Length: 47, 14 [mm] (1.85", 0.55")
Internal Diameter: 3.5 [mm] (0.14")
Tooling: SW 18
Material: Austenitic Stainless Steel / NBR (Buna-N)
Temperature Range: -30°C to 120°C (-20°F to 250°F)

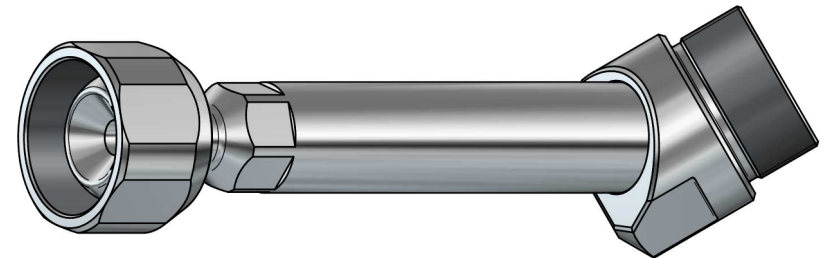
CH03-FM



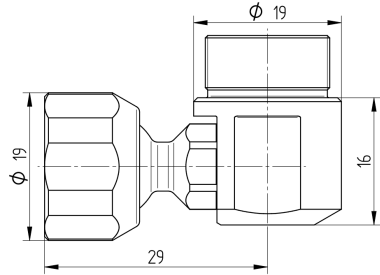
S03 Chain Unit 45° Long

SmarTec Line: S03
Angle: 45°
External Diameter: 19 [mm] (0.75")
Effective Length: 67, 14 [mm] (2.64", 0.55")
Internal Diameter: 3.5 [mm]
Tooling: SW 18
Material: Austenitic Stainless Steel / NBR (Buna-N)
Temperature Range: -30°C to 120°C (-20°F to 250°F)

CH03-FL



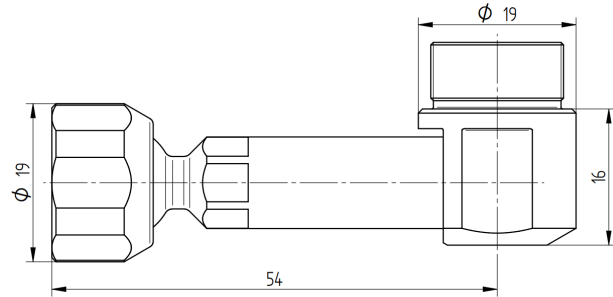
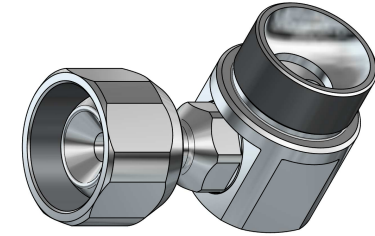
CH03P



S03 Chain Unit 90° Short

SmarTec Line: S03
Angle: 90°
External Diameter: 19 [mm] (0.75")
Effective Length: 29, 16 [mm] (1.14", 0.63")
Internal Diameter: 3.5 [mm] (0.14")
Tooling: SW 18
Material: Austenitic Stainless Steel / NBR (Buna-N)
Temperature Range: -30°C to 120°C (-20°F to 250°F)

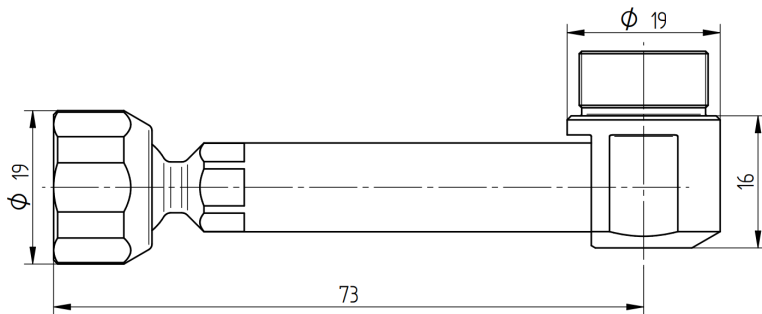
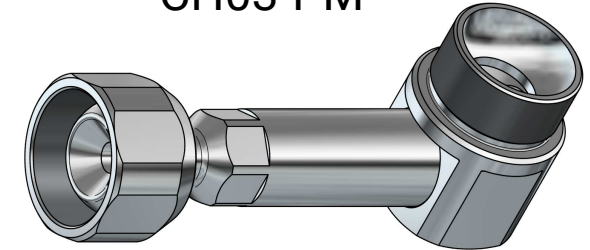
CH03-PS



S03 Chain Unit 90° Mean

SmarTec Line: S03
Angle: 90°
External Diameter: 19 [mm] (0.75")
Effective Length: 54, 16 [mm] (2.125", 0.63")
Internal Diameter: 3.5 [mm] (0.14")
Tooling: SW 18
Material: Austenitic Stainless Steel / NBR (Buna-N)
Temperature Range: -30°C to 120°C (-20°F to 250°F)

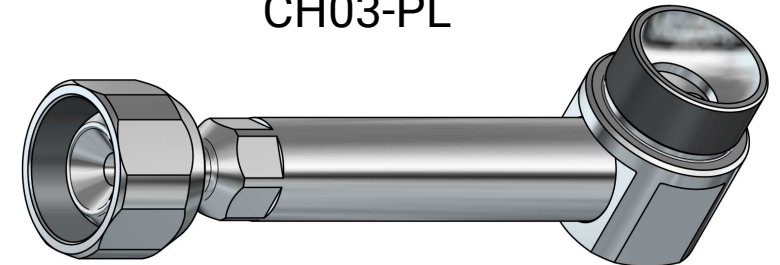
CH03-PM



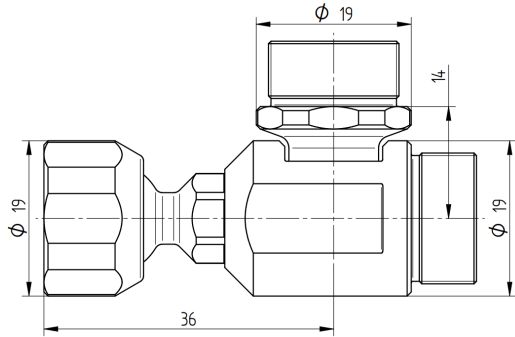
S03 Chain Unit 90° Long

SmarTec Line: S03
Angle: 90°
External Diameter: 19 [mm] (0.75")
Effective Length: 73, 16 [mm] (2.87", 0.63")
Internal Diameter: 3.5 [mm] (0.14")
Tooling: SW 18
Material: Austenitic Stainless Steel / NBR (Buna-N)
Temperature Range: -30°C to 120°C (-20°F to 250°F)

CH03-PL



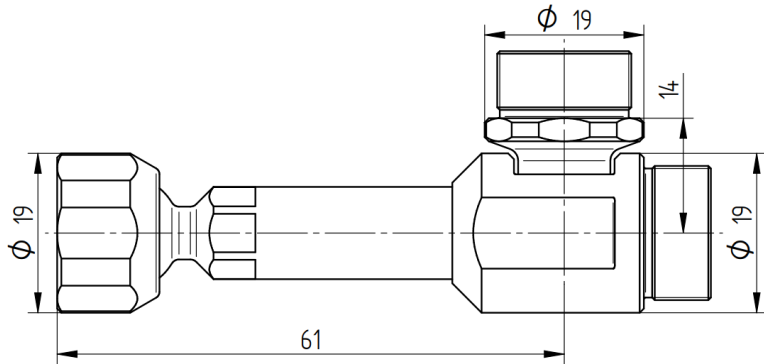
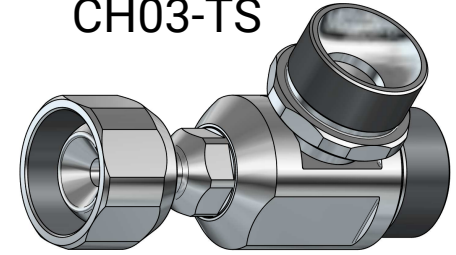
CH03T



S03 Chain Unit T Short

SmarTec Line: S03
Angle: 90° + 90°
External Diameter: 19 [mm] (0.75")
Effective Length: 36, 14 [mm] (1.4", 0.55")
Internal Diameter: 3.5 [mm] (0.14")
Tooling: SW 18
Material: Austenitic Stainless Steel / NBR (Buna-N)
Temperature Range: -30°C to 120°C (-20°F to 250°F)

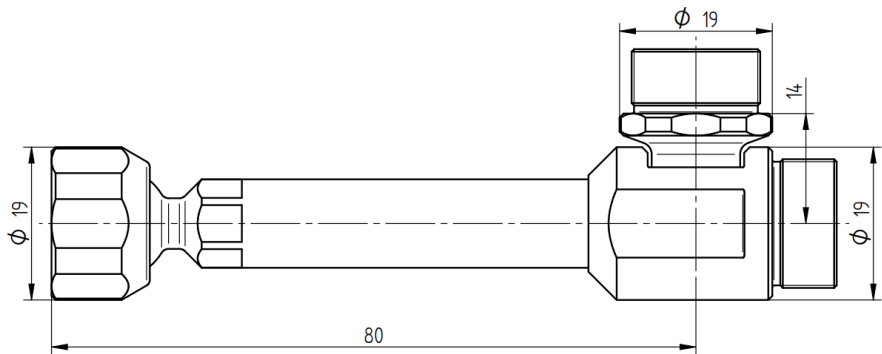
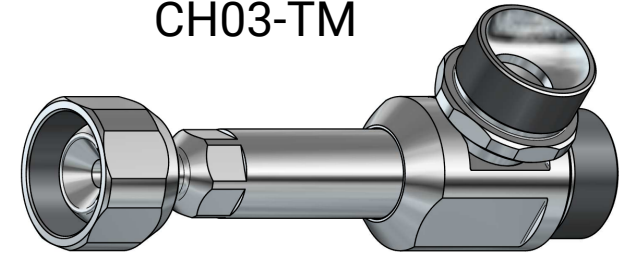
CH03-TS



S03 Chain Unit T Mean

SmarTec Line: S03
Angle: 90° + 90°
External Diameter: 19 [mm] (0.75")
Effective Length: 61, 14 [mm] (2.4", 0.55")
Internal Diameter: 3.5 [mm] (0.14")
Tooling: SW 18
Material: Austenitic Stainless Steel / NBR (Buna-N)
Temperature Range: -30°C to 120°C (-20°F to 250°F)

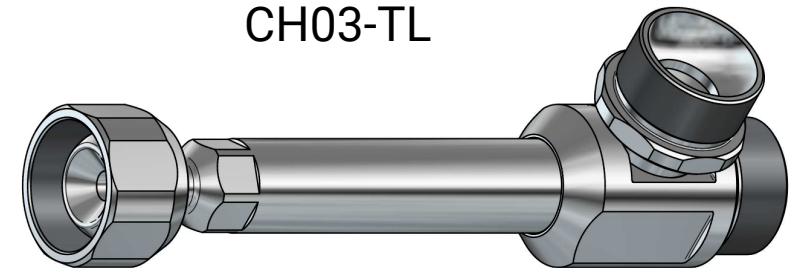
CH03-TM



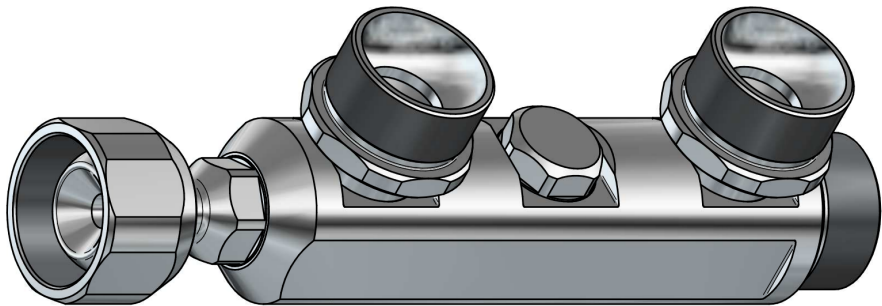
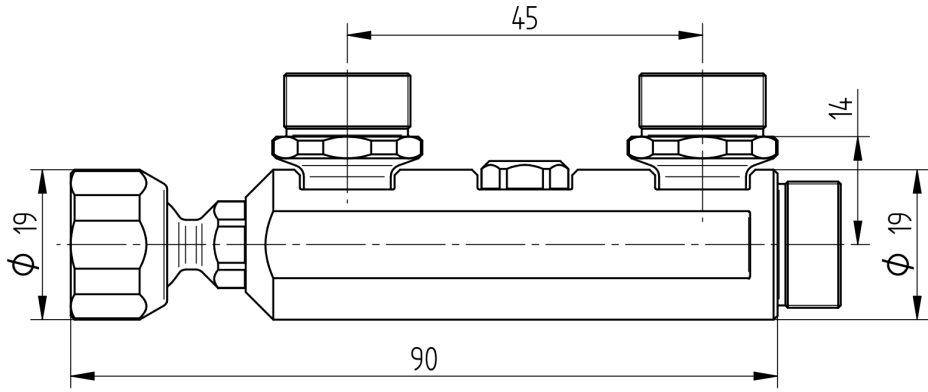
S03 Chain Unit T Long

SmarTec Line: S03
Angle: 90° + 90°
External Diameter: 19 [mm] (0.75")
Effective Length: 80, 14 [mm] (3.15", 0.55")
Internal Diameter: 3.5 [mm] (0.14")
Tooling: SW 18
Material: Austenitic Stainless Steel / NBR (Buna-N)
Temperature Range: -30°C to 120°C (-20°F to 250°F)

CH03-TL



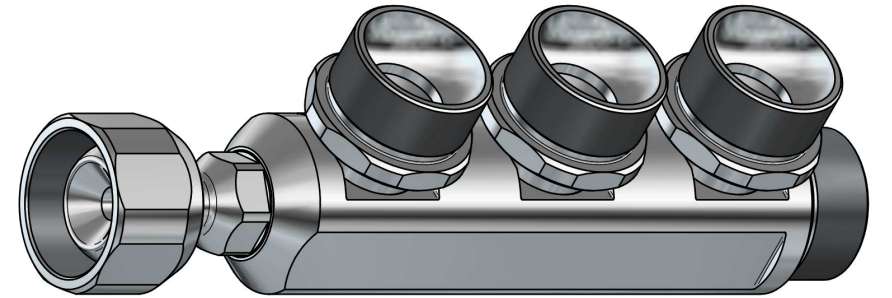
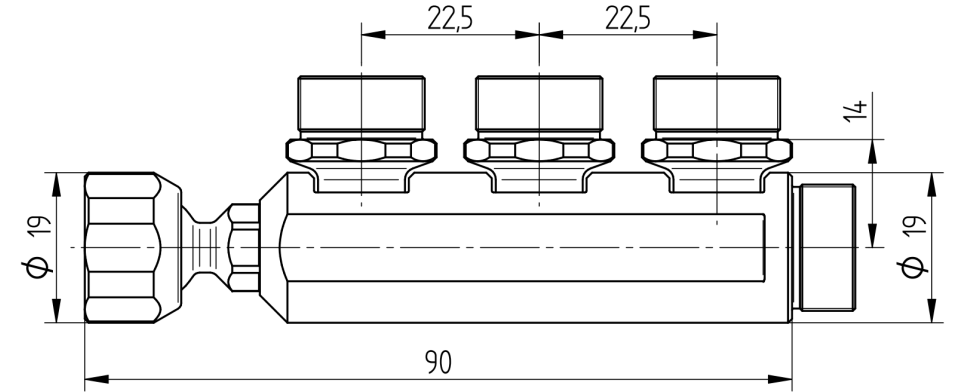
CH03-TD



S03 Chain Unit T Dual Exit

SmarTec Line: S03
Angle: 90° + 90°
No. of Exits: 2
External Diameter: 19 [mm] (0.75")
Effective Length: 90, 45 [mm] (3.54", 1.77")
Internal Diameter: 3.5 [mm] (0.14")
Tooling: SW 18
Material: Austenitic Stainless Steel / NBR (Buna-N)
Temperature Range: -30°C to 120°C (-20°F to 250°F)

CH03-TT

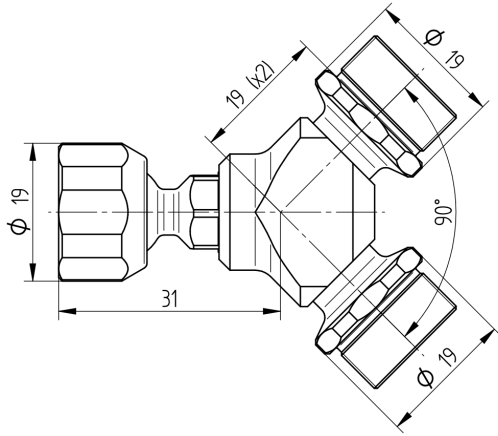


S03 Chain Unit T Triple Exit

SmarTec Line: S03
Angle: 90° + 90°
No. of Exits: 3
External Diameter: 19 [mm] (0.75")
Effective Length: 90, 22.5, 22.5 [mm] (3.54", 0.88", 0.88")
Internal Diameter: 3.5 [mm] (0.14")
Tooling: SW 18
Material: Austenitic Stainless Steel / NBR (Buna-N)
Temperature Range: -30°C to 120°C (-20°F to 250°F)

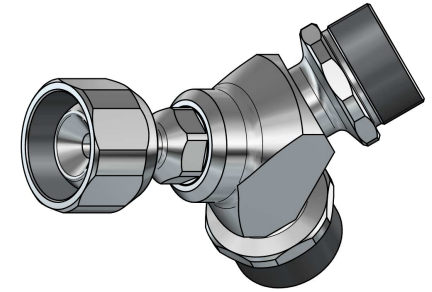
CH03Y

S03 Chain Unit Y Short

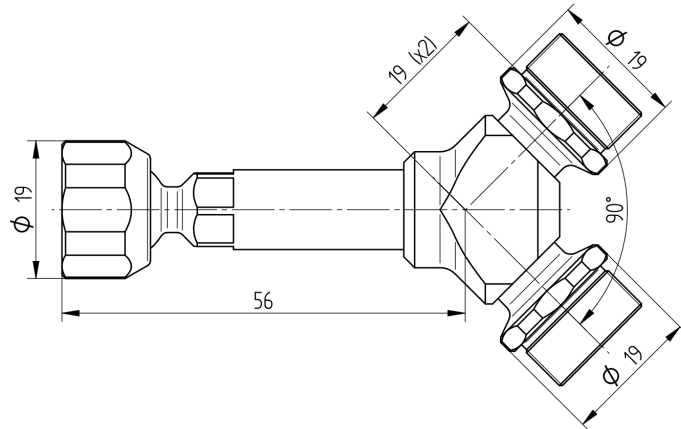


SmarTec Line: S03
Angle: 45° + 45°
External Diameter: 19 [mm] (0.75")
Effective Length: 31, 19, 19 [mm] (1.22", 0.75", 0.75")
Internal Diameter: 3.5 [mm] (0.14")
Tooling: SW 18
Material: Austenitic Stainless Steel / NBR (Buna-N)
Temperature Range: -30°C to 120°C (-20°F to 250°F)

CH03-YS

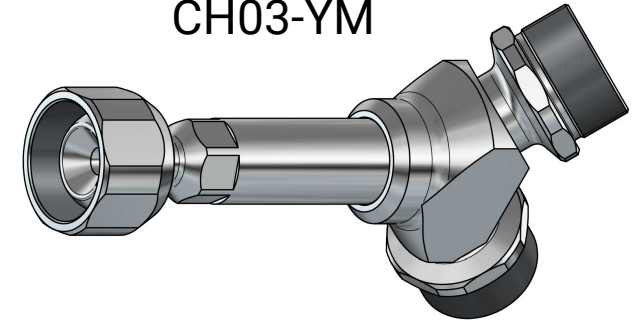


S03 Chain Unit Y Mean

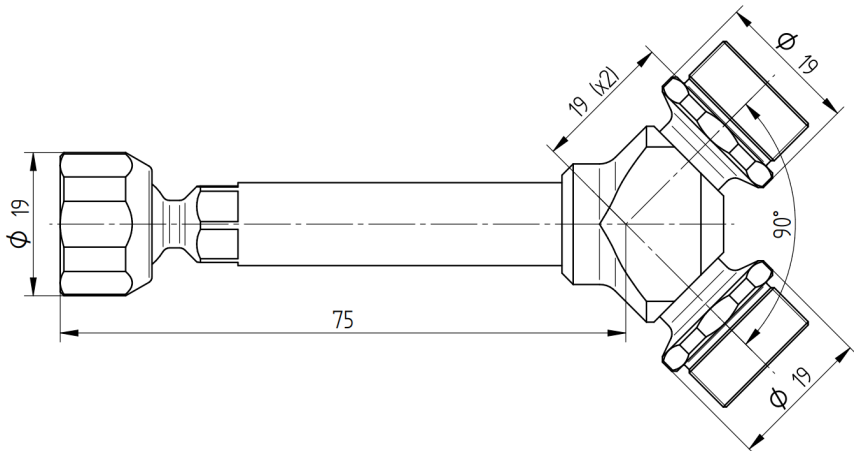


SmarTec Line: S03
Angle: 45° + 45°
External Diameter: 19 [mm] (0.75")
Effective Length: 56, 19, 19 [mm] (2.2", 0.75", 0.75")
Internal Diameter: 3.5 [mm] (0.14")
Tooling: SW 18
Material: Austenitic Stainless Steel / NBR (Buna-N)
Temperature Range: -30°C to 120°C (-20°F to 250°F)

CH03-YM

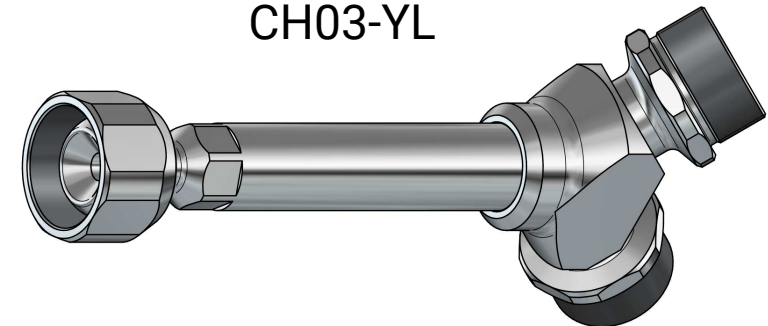


S03 Chain Unit Y Long

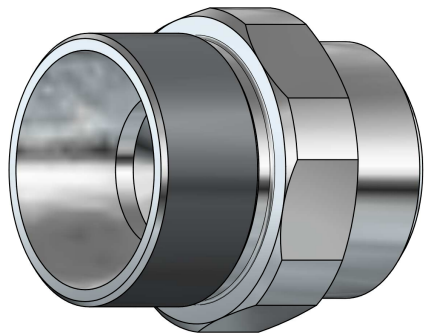
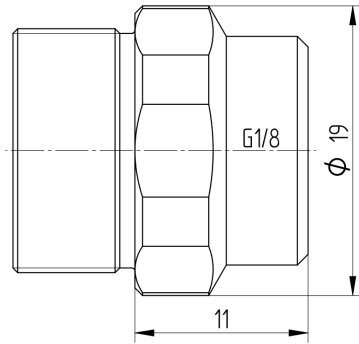


SmarTec Line: S03
Angle: 45° + 45°
External Diameter: 19 [mm] (0.75")
Effective Length: 75, 19, 19 [mm] (2.95", 0.75", 0.75")
Internal Diameter: 3.5 [mm] (0.14")
Tooling: SW 18
Material: Austenitic Stainless Steel / NBR (Buna-N)
Temperature Range: -30°C to 120°C (-20°F to 250°F)

CH03-YL



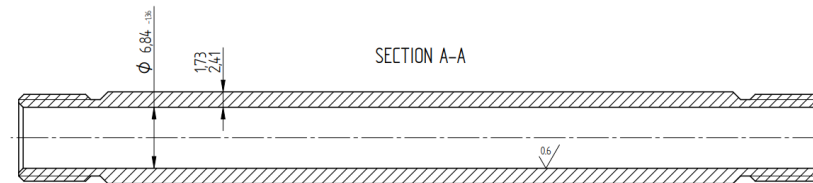
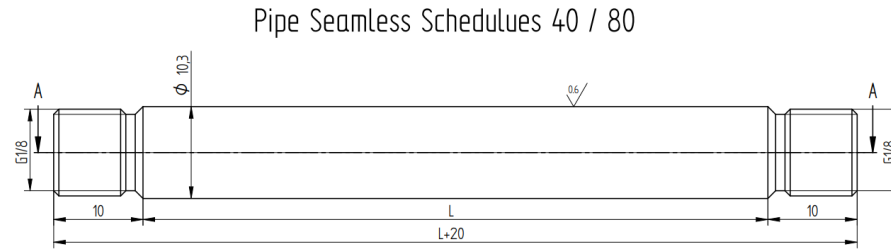
CH03-EF



S03 Chain Unit Extension Front Adaptor

SmarTec Line: S03
 External Diameter: 19 [mm] (0.75")
 Effective Length: 11 [mm] (0.43")
 Internal Diameter: 3.5 [mm] (0.14")
 Thread: G 1/8
 Tooling: SW 18
 Material: Austenitic Stainless Steel
 Temperature Range: -30°C to 120°C (-20°F to 250°F)

CH03E

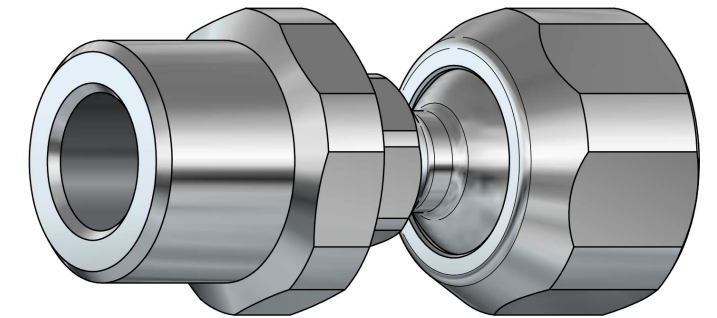
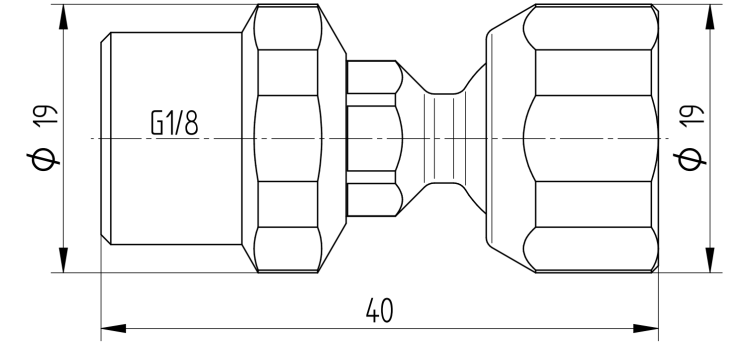


Pipe Size - 1/8
 Pipe for CH03E

S03 Chain Unit Pipe Extension



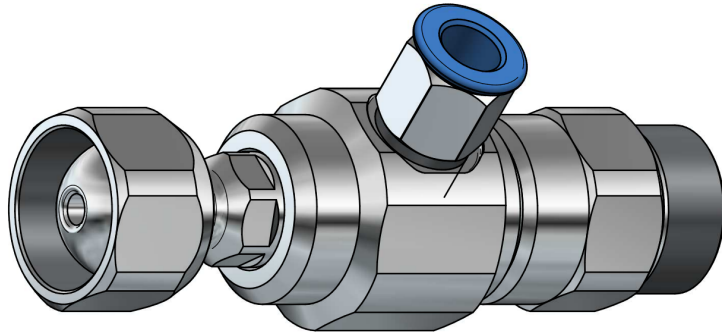
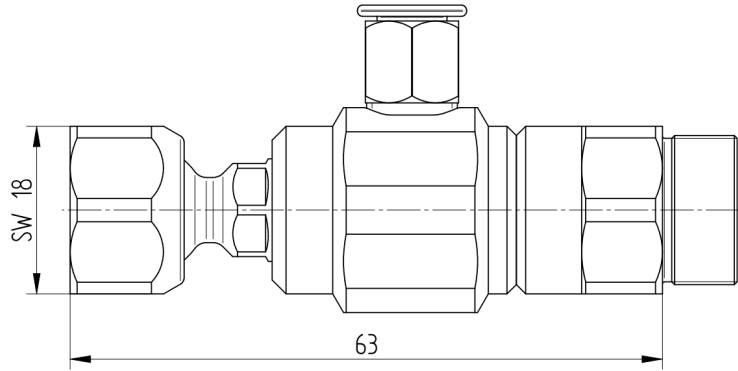
CH03-ER



S03 Chain Unit Extension Rear Adaptor

SmarTec Line: S03
 External Diameter: 19 [mm] (0.75")
 Effective Length: 40 [mm] (1.57")
 Internal Diameter: 3.5 [mm] (0.14")
 Thread: G 1/8
 Tooling: SW 18
 Material: Austenitic Stainless Steel / NBR (Buna-N)
 Temperature Range: -30°C to 120°C (-20°F to 250°F)

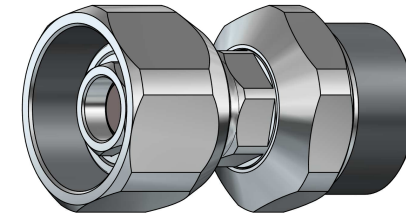
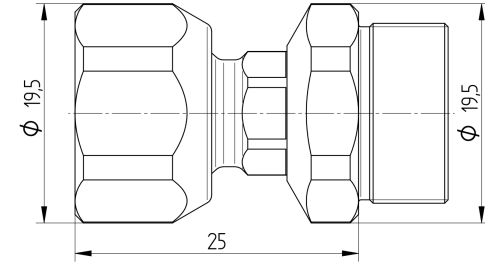
CH03-MZ



S03 Chain Unit Atomizer

SmarTec Line: S03
External Diameter: 19 [mm] (0.75")
Effective Length: 63 [mm] (2.48")
Internal Diameter: 3.5 [mm] (0.137")
Air Tube: 6X4
Tooling: SW 18
Material: Austenitic Stainless Steel
Temperature Range: -30°C to 120°C (-20°F to 250°F)

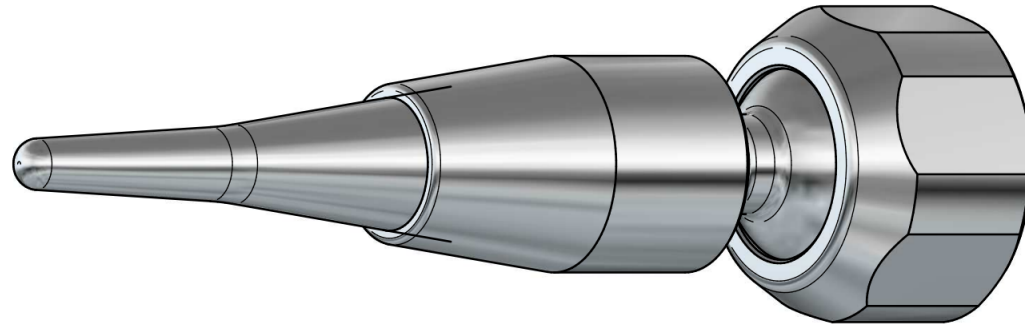
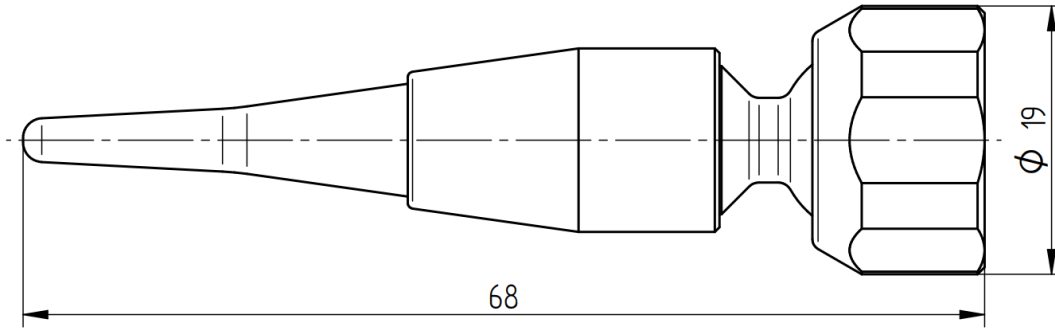
CH03-CV01



S03 Check Valve

SmarTec Line: S03
External Diameter: 19 [mm] (0.75")
Effective Length: 25 [mm] (0.98")
Internal Diameter: 3.5 [mm] (0.137")
Tooling: SW 18
Material: Austenitic Stainless Steel
Temperature Range: -30°C to 120°C (-20°F to 250°F)

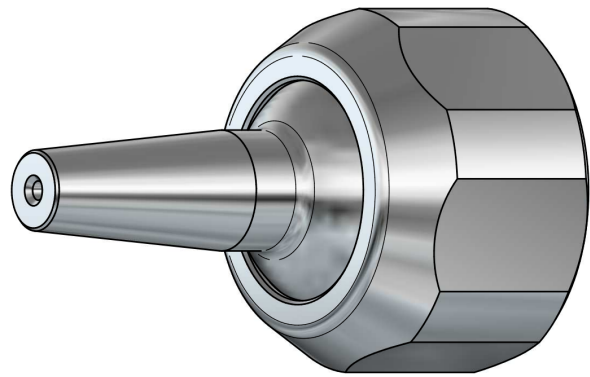
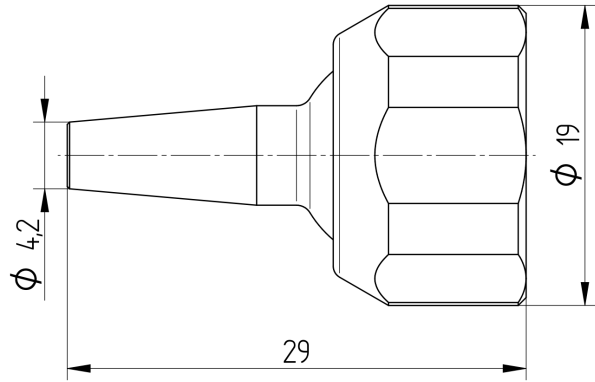
JS03



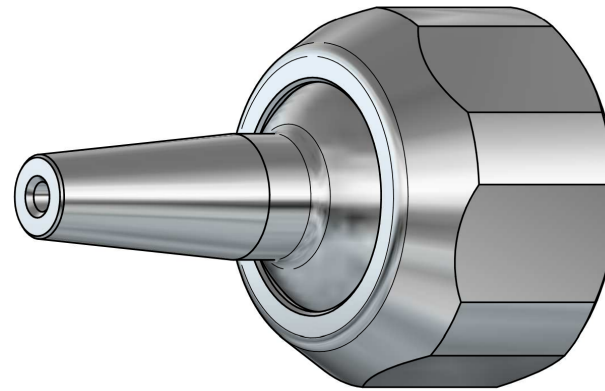
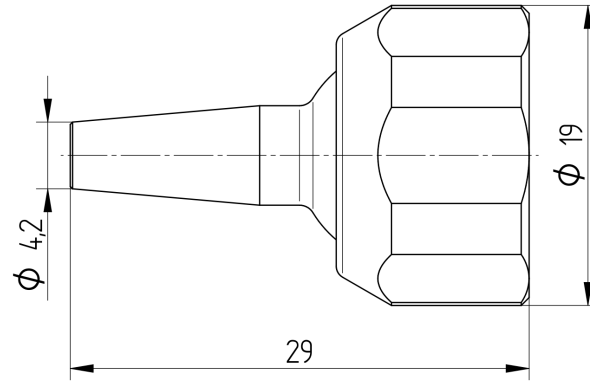
S03 Adjustable Jet

SmarTec Line: S03
External Diameter: 19 [mm] (0.75")
Effective Length: 68 [mm] (2.68")
Internal Diameter: 3.5 [mm] (0.14")
Tooling: SW 18
Material: Austenitic Stainless Steel / NBR (Buna-N)
Temperature Range: -30°C to 120°C (-20°F to 250°F)

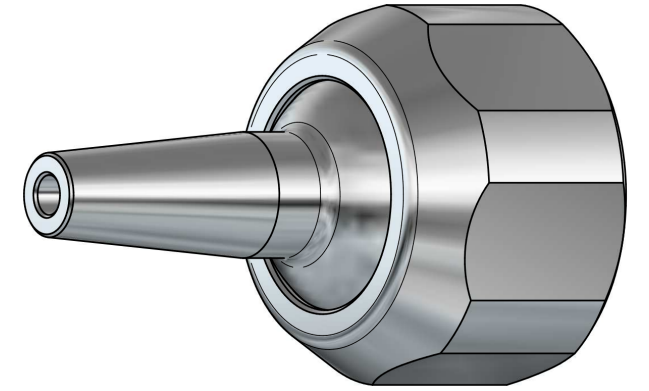
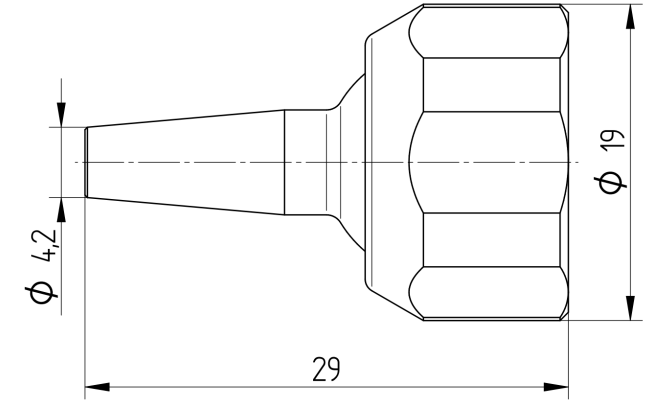
JH03-D10



JH03-D15



JH03-D20



S03 Chain Jet Basic 1 mm

SmarTec Line: S03
 External Diameter: 19 [mm] (0.75")
 Effective Length: 29 [mm] (1.14")
 Jet Diameter: 1 [mm] (0.04")
 Tooling: SW 18
 Material: Austenitic Stainless Steel / NBR (Buna-N)
 Temperature Range: -30°C to 120°C (-20°F to 250°F)

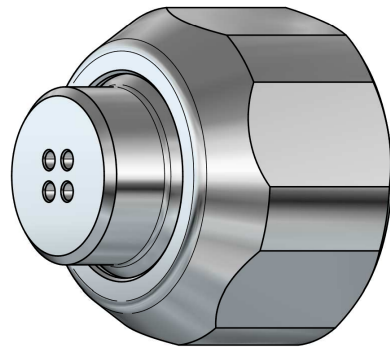
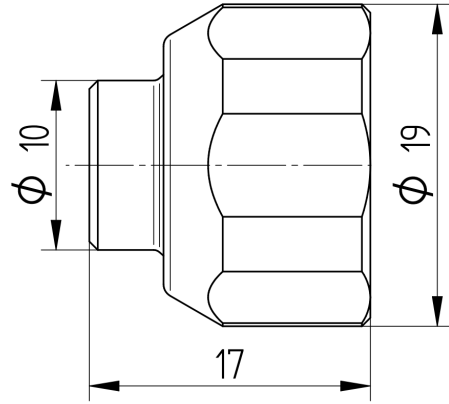
S03 Chain Jet Basic 1.5 mm

SmarTec Line: S03
 External Diameter: 19 [mm] (0.75")
 Effective Length: 29 [mm] (1.14")
 Jet Diameter: 1.5 [mm] (0.06")
 Tooling: SW 18
 Material: Austenitic Stainless Steel / NBR (Buna-N)
 Temperature Range: -30°C to 120°C (-20°F to 250°F)

S03 Chain Jet Basic 2 mm

SmarTec Line: S03
 External Diameter: 19 [mm] (0.75")
 Effective Length: 29 [mm] (1.14")
 Jet Diameter: 2 [mm] (0.08")
 Tooling: SW 18
 Material: Austenitic Stainless Steel / NBR (Buna-N)
 Temperature Range: -30°C to 120°C (-20°F to 250°F)

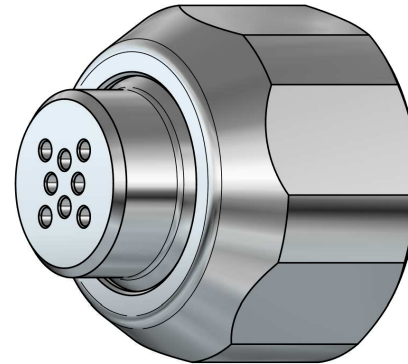
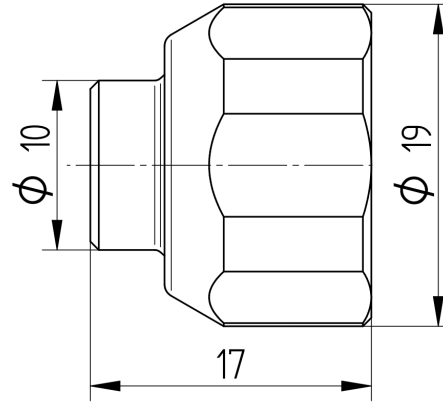
JM03-A04



S03 Chain Jet Basic 4 Jets

SmarTec Line: S03
External Diameter: 19 [mm] (0.75")
Effective Length: 17 [mm] (0.67")
Jet Diameter: 1 [mm] (0.04")
Number of Jets: 4
Tooling: SW 18
Material: Austenitic Stainless Steel / NBR (Buna-N)
Temperature Range: -30°C to 120°C (-20°F to 250°F)

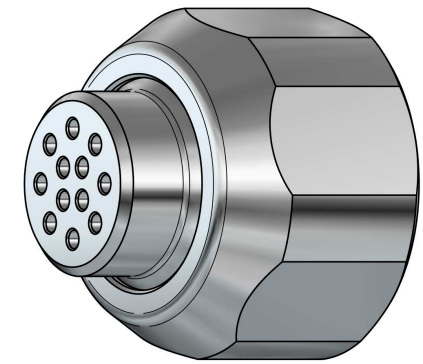
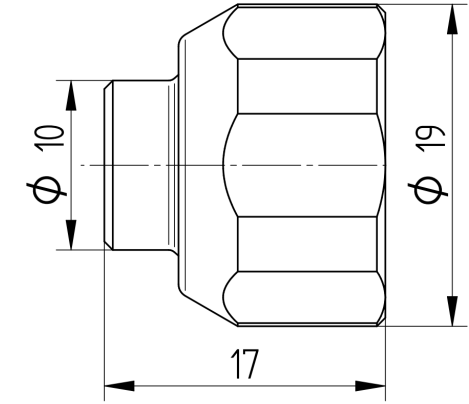
JM03-A08



S03 Chain Jet Basic 8 Jets

SmarTec Line: S03
External Diameter: 19 [mm] (0.75")
Effective Length: 17 [mm] (0.67")
Jet Diameter: 1 [mm] (0.04")
Number of Jets: 8
Tooling: SW 18
Material: Austenitic Stainless Steel / NBR (Buna-N)
Temperature Range: -30°C to 120°C (-20°F to 250°F)

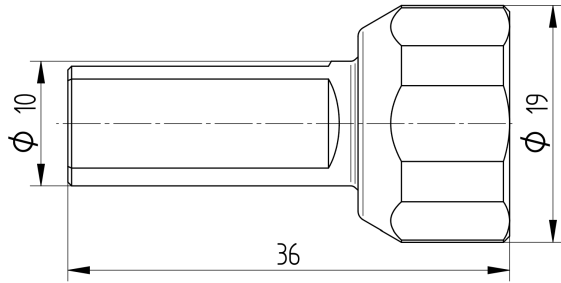
JM03-A12



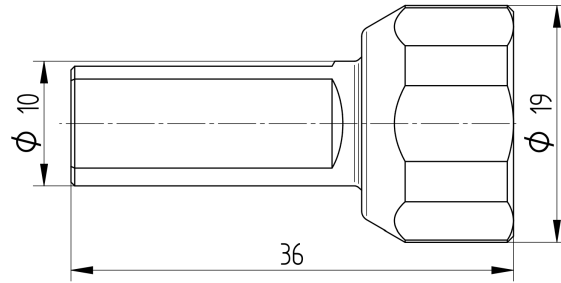
S03 Chain Jet Basic 12 Jets

SmarTec Line: S03
External Diameter: 19 [mm] (0.75")
Effective Length: 17 [mm] (0.67")
Jet Diameter: 1 [mm] (0.04")
Number of Jets: 12
Tooling: SW 18
Material: Austenitic Stainless Steel / NBR (Buna-N)
Temperature Range: -30°C to 120°C (-20°F to 250°F)

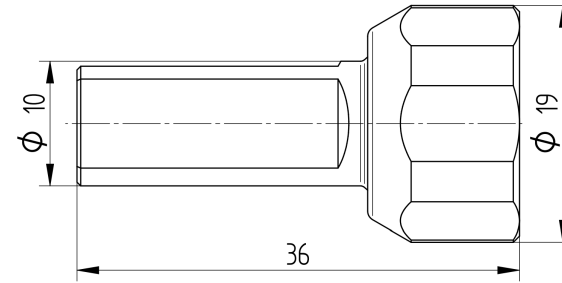
JM03-P03



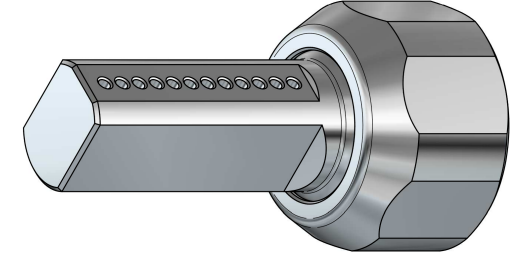
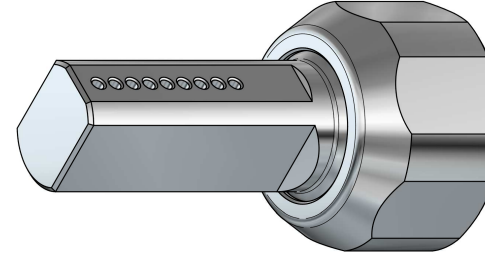
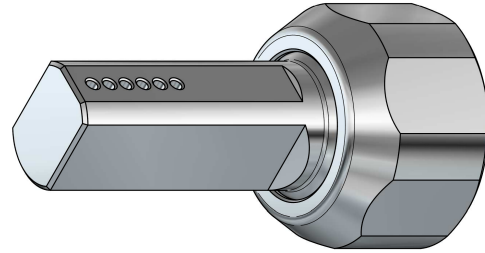
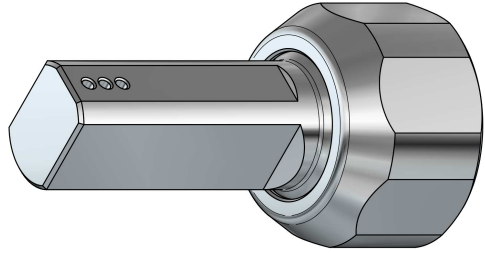
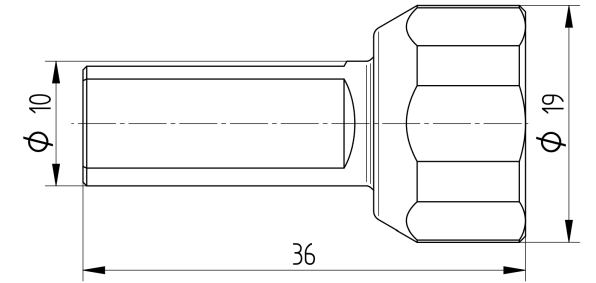
JM03-P06



JM03-P09



JM03-P12



S03 Chain Jet Extended 90° 3 Jets

SmarTec Line: S03
Angle: 90°
External Diameter: 19 [mm] (0.75")
Effective Length: 36 [mm] (1.42")
Jet Diameter: 1 [mm] (0.04")
Number of Jets: 3
Tooling: SW 18
Material: Austenitic Stainless Steel / NBR (Buna-N)
Temperature Range: -30°C to 120°C (-20°F to 250°F)

S03 Chain Jet Extended 90° 6 Jets

SmarTec Line: S03
Angle: 90°
External Diameter: 19 [mm] (0.75")
Effective Length: 36 [mm] (1.42")
Jet Diameter: 1 [mm] (0.04")
Number of Jets: 6
Tooling: SW 18
Material: Austenitic Stainless Steel / NBR (Buna-N)
Temperature Range: -30°C to 120°C (-20°F to 250°F)

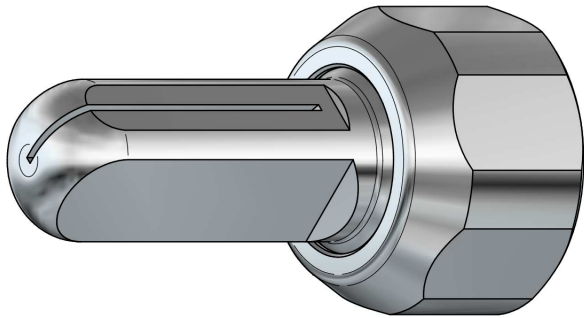
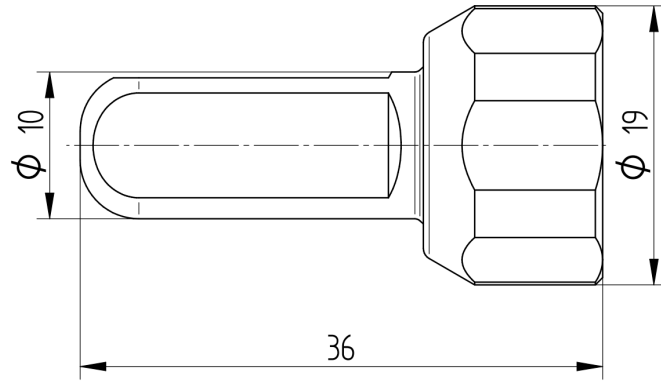
S03 Chain Jet Extended 90° 9 Jets

SmarTec Line: S03
Angle: 90°
External Diameter: 19 [mm] (0.75")
Effective Length: 36 [mm] (1.42")
Jet Diameter: 1 [mm] (0.04")
Number of Jets: 9
Tooling: SW 18
Material: Austenitic Stainless Steel / NBR (Buna-N)
Temperature Range: -30°C to 120°C (-20°F to 250°F)

S03 Chain Jet Extended 90° 12 Jets

SmarTec Line: S03
Angle: 90°
External Diameter: 19 [mm] (0.75")
Effective Length: 36 [mm] (1.42")
Jet Diameter: 1 [mm] (0.04")
Number of Jets: 12
Tooling: SW 18
Material: Austenitic Stainless Steel / NBR (Buna-N)
Temperature Range: -30°C to 120°C (-20°F to 250°F)

JM03-S20



S03 Chain Slot-Jet

SmarTec Line: S03

Slot Length: 20 [mm] (0.78")

Slot Thickness: 0.5 [mm] (0.02")

External Diameter: 19 [mm] (0.75")

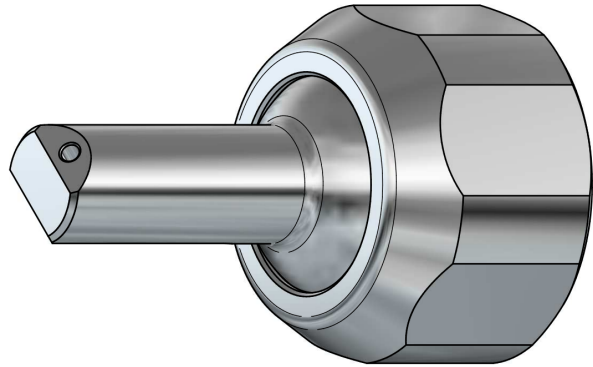
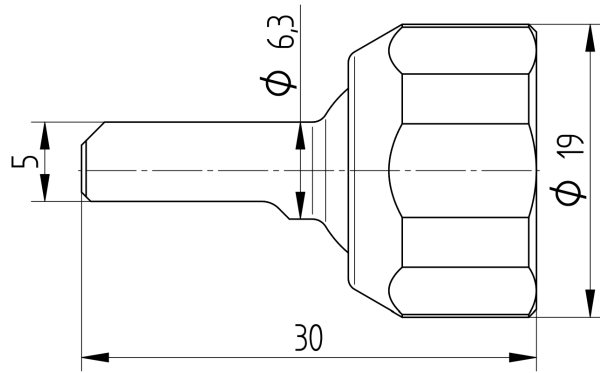
Effective Length: 36 [mm] (1.42")

Tooling: SW 18

Material: Austenitic Stainless Steel / NBR (Buna-N)

Temperature Range: -30°C to 120°C (-20°F to 250°F)

JF03-D10



S03 Chain Jet Extended 45° 1 mm

SmarTec Line: S03

Angle: 45°

External Diameter: 19 [mm] (0.75")

Effective Length: 30 [mm] (1.2")

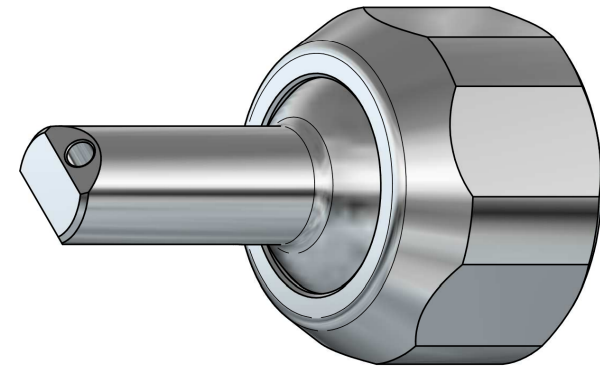
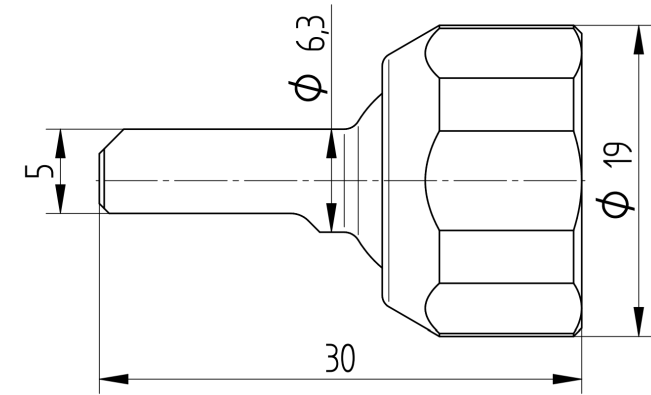
Jet Diameter: 1 [mm] (0.04")

Tooling: SW 18

Material: Austenitic Stainless Steel / NBR (Buna-N)

Temperature Range: -30°C to 120°C (-20°F to 250°F)

JF03-D15



S03 Chain Jet Extended 45° 1.5 mm

SmarTec Line: S03

Angle: 45°

External Diameter: 19 [mm] (0.75")

Effective Length: 30 [mm] (1.2")

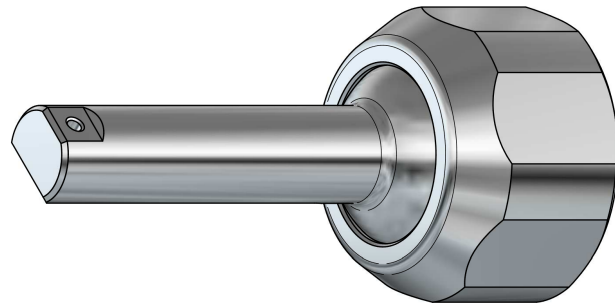
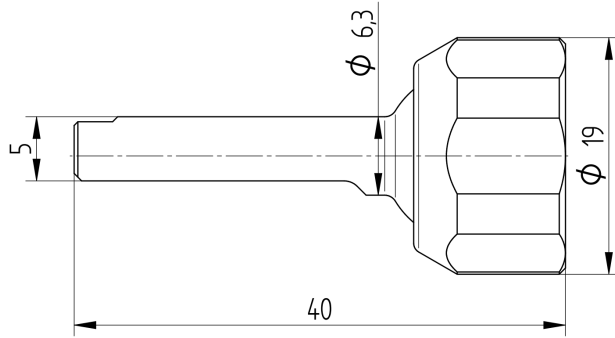
Jet Diameter: 1.5 [mm] (0.06")

Tooling: SW 18

Material: Austenitic Stainless Steel / NBR (Buna-N)

Temperature Range: -30°C to 120°C (-20°F to 250°F)

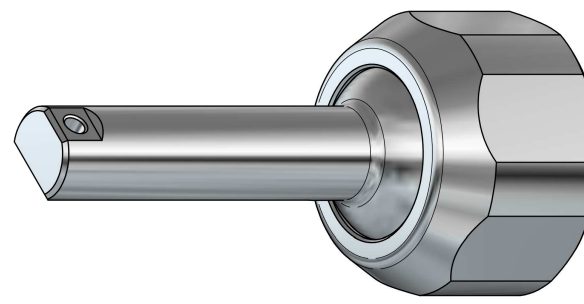
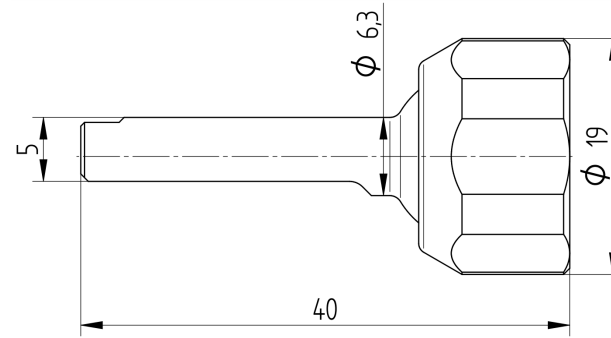
JP03-D10



S03 Chain Jet Extended 90° 1 mm

SmarTec Line: S03
Angle: 90°
External Diameter: 19 [mm] (0.75")
Effective Length: 40 [mm] (1.575")
Jet Diameter: 1 [mm] (0.04")
Tooling: SW 18
Material: Austenitic Stainless Steel / NBR (Buna-N)
Temperature Range: -30°C to 120°C (-20°F to 250°F)

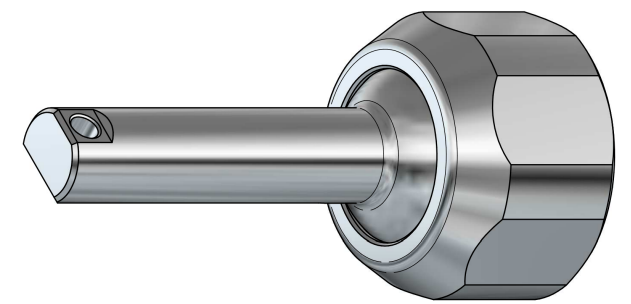
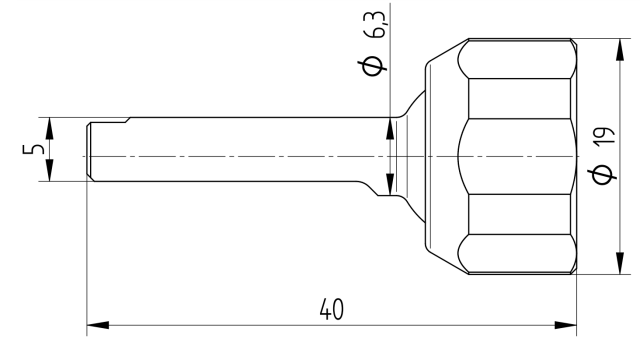
JP03-D15



S03 Chain Jet Extended 90° 1.5 mm

SmarTec Line: S03
Angle: 90°
External Diameter: 19 [mm] (0.75")
Effective Length: 40 [mm] (1.575")
Jet Diameter: 1.5 [mm] (0.06")
Tooling: SW 18
Material: Austenitic Stainless Steel / NBR (Buna-N)
Temperature Range: -30°C to 120°C (-20°F to 250°F)

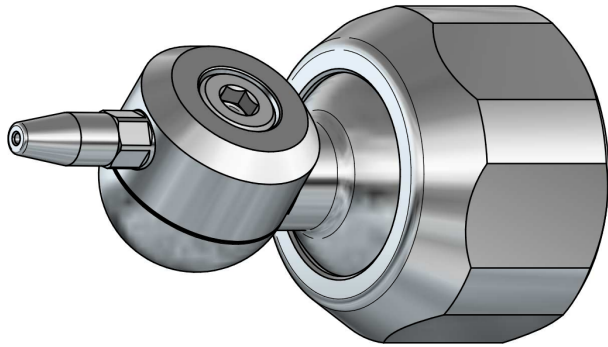
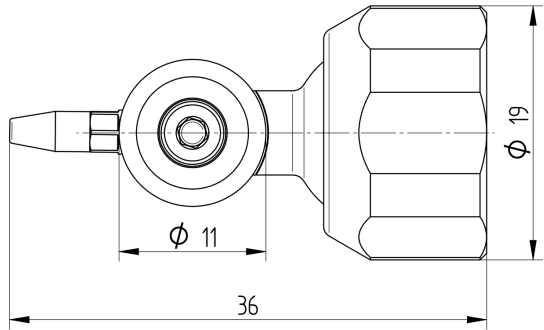
JP03-D20



S03 Chain Jet Extended 90° 2 mm

SmarTec Line: S03
Angle: 90°
External Diameter: 19 [mm] (0.75")
Effective Length: 40 [mm] (1.575")
Jet Diameter: 2 [mm] (0.08")
Tooling: SW 18
Material: Austenitic Stainless Steel / NBR (Buna-N)
Temperature Range: -30°C to 120°C (-20°F to 250°F)

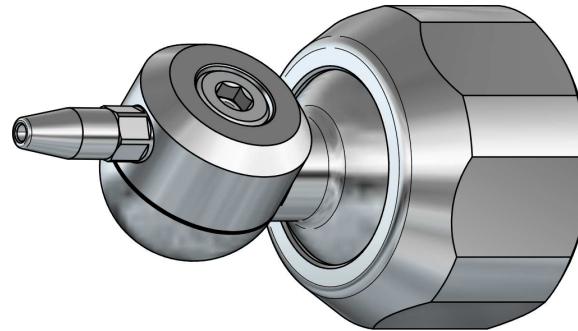
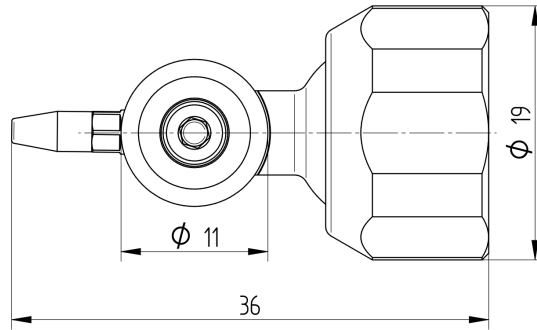
JV03-D06



S03 Chain Jet Variable 0.6 mm

SmarTec Line: S03
 Angle: Variable
 External Diameter: 19 [mm] (0.75")
 Effective Length: 36 [mm] (1.417")
 Jet Diameter: 0.6 [mm] (0.024")
 Tooling: SW 18
 Material: Austenitic Stainless Steel / NBR (Buna-N)
 Temperature Range: -30°C to 120°C (-20°F to 250°F)

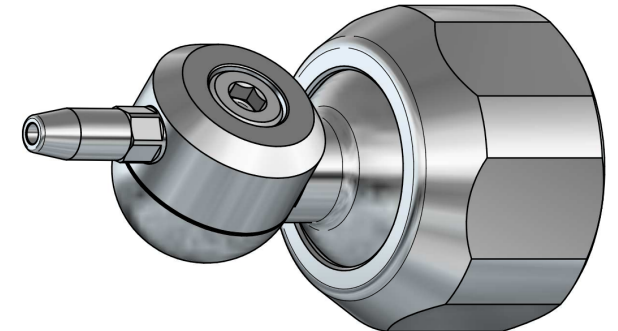
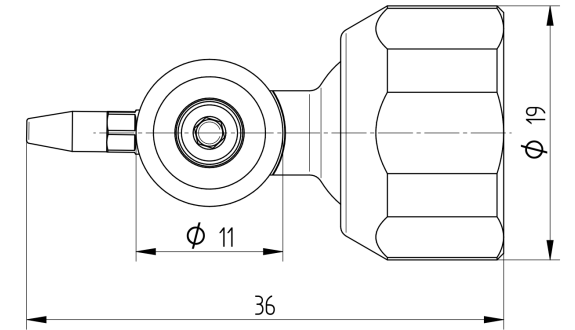
JV03-D10



S03 Chain Jet Variable 1.0 mm

SmarTec Line: S03
 Angle: Variable
 External Diameter: 19 [mm] (0.75")
 Effective Length: 36 [mm] (1.417")
 Jet Diameter: 1.0 [mm] (0.04")
 Tooling: SW 18
 Material: Austenitic Stainless Steel / NBR (Buna-N)
 Temperature Range: -30°C to 120°C (-20°F to 250°F)

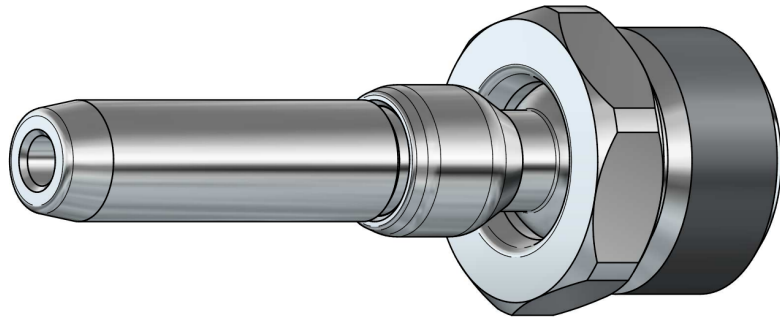
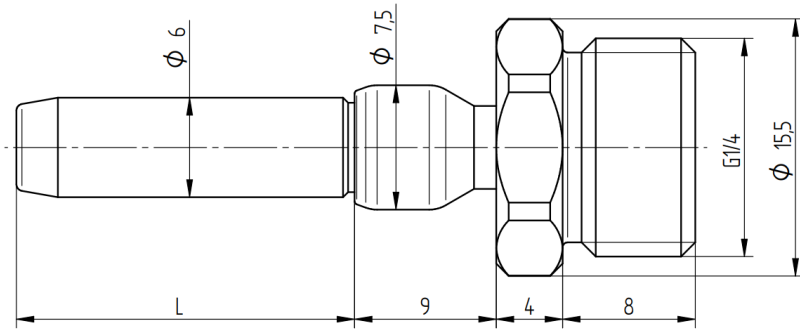
JV03-D12



S03 Chain Jet Variable 1.2 mm

SmarTec Line: S03
 Angle: Variable
 External Diameter: 19 [mm] (0.75")
 Effective Length: 36 [mm] (1.417")
 Jet Diameter: 1.2 [mm] (0.047")
 Tooling: SW 18
 Material: Austenitic Stainless Steel / NBR (Buna-N)
 Temperature Range: -30°C to 120°C (-20°F to 250°F)

JB03 SML



| Cat No. | L | D |
|----------|----|-----|
| JB03-S20 | 10 | 2.0 |
| JB03-S25 | 10 | 2.5 |
| JB03-S30 | 10 | 3.0 |
| JB03-M20 | 20 | 2.0 |
| JB03-M25 | 20 | 2.5 |
| JB03-M30 | 20 | 3.0 |
| JB03-L20 | 40 | 2.0 |
| JB03-L25 | 40 | 2.5 |
| JB03-L30 | 40 | 3.0 |

S03 Block Jet Straight Modular

SmarTec Line: S03

External Diameter: 15.5 [mm] (0.61")

Effective Length: 23, 33, 53 [mm] (0.9", 1.3", 2.1")

Jet Diameter: 2, 2.5, 3 [mm] (0.08", 0.1", 0.12")

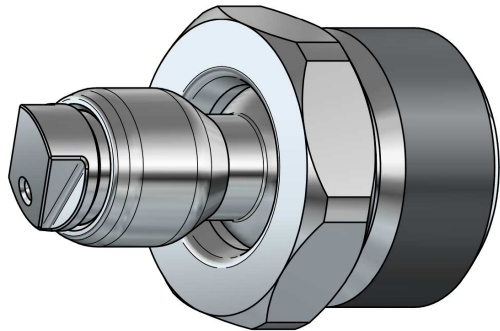
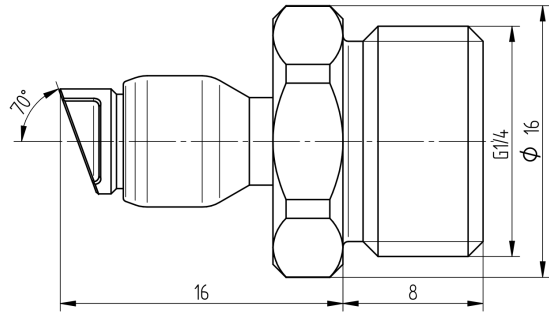
Tooling: SW 14

Thread: G1/4

Material: Austenitic Stainless Steel / NBR (Buna-N)

Temperature Range: -30°C to 120°C (-20°F to 250°F)

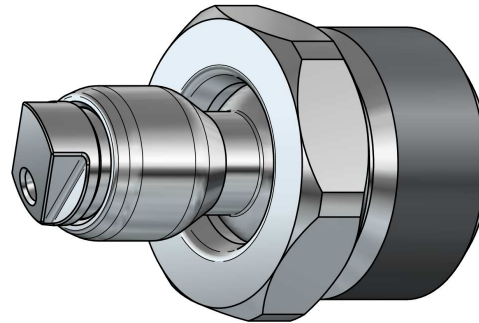
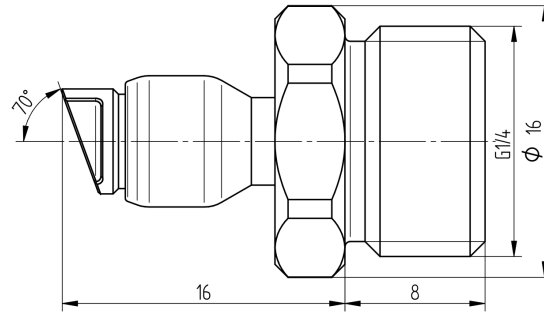
JB03-V10



S03 Block Jet 0° to 40° 1 mm

SmarTec Line: S03
External Diameter: 16 [mm] (0.63")
Effective Length: 16 [mm] (0.63")
Jet Diameter: 1 [mm] (0.04")
Max Horizontal Angle: 40°
Min Horizontal Angle: 0°
Tooling: SW 14
Thread: G1/4
Material: Austenitic Stainless Steel / NBR (Buna-N)
Temperature Range: -30°C to 120°C (-20°F to 250°F)

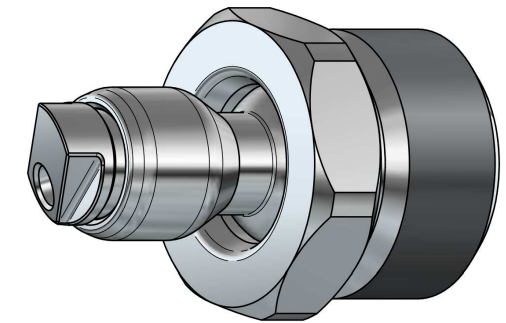
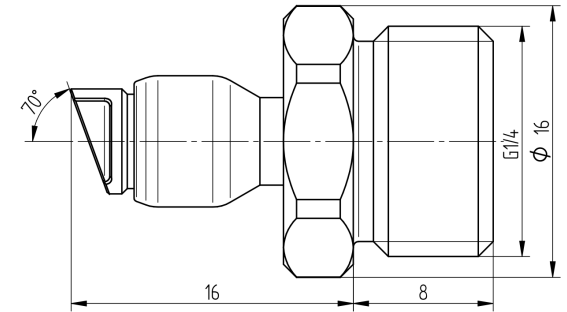
JB03-V15



S03 Block Jet 0° to 40° 1.5 mm

SmarTec Line: S03
External Diameter: 16 [mm] (0.63")
Effective Length: 16 [mm] (0.63")
Jet Diameter: 1.5 [mm] (0.06")
Max Horizontal Angle: 40°
Min Horizontal Angle: 0°
Tooling: SW 14
Thread: G1/4
Material: Austenitic Stainless Steel / NBR (Buna-N)
Temperature Range: -30°C to 120°C (-20°F to 250°F)

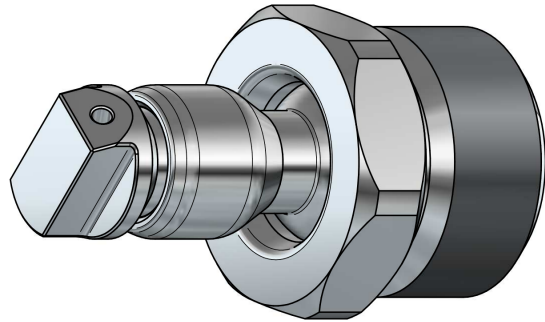
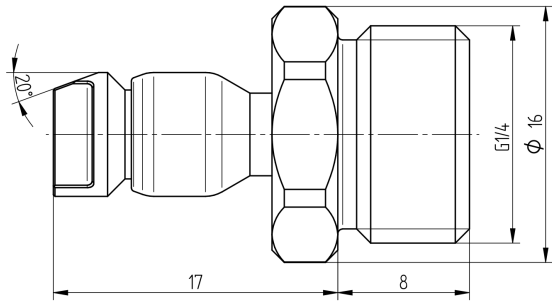
JB03-V20



S03 Block Jet 0° to 40° 2 mm

SmarTec Line: S03
External Diameter: 16 [mm] (0.63")
Effective Length: 16 [mm] (0.63")
Jet Diameter: 2 [mm] (0.08")
Max Horizontal Angle: 40°
Min Horizontal Angle: 0°
Tooling: SW 14
Thread: G1/4
Material: Austenitic Stainless Steel / NBR (Buna-N)
Temperature Range: -30°C to 120°C (-20°F to 250°F)

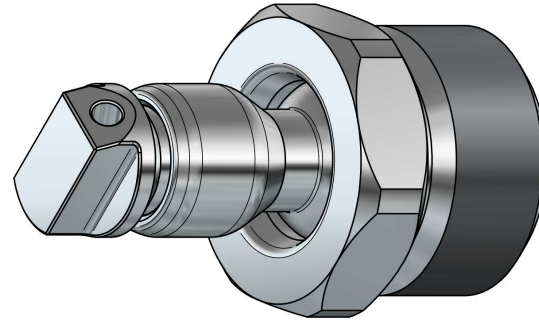
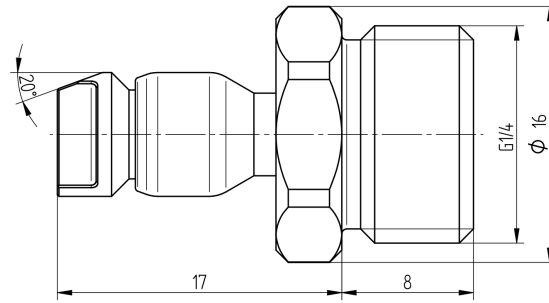
JB03-W10



S03 Block Jet 50° to 90° 1 mm

SmarTec Line: S03
External Diameter: 16 [mm] (0.63")
Effective Length: 16 [mm] (0.63")
Jet Diameter: 1 [mm] (0.04")
Max Horizontal Angle: 90°
Min Horizontal Angle: 50°
Tooling: SW 14
Thread: G1/4
Material: Austenitic Stainless Steel / NBR (Buna-N)
Temperature Range: -30°C to 120°C (-20°F to 250°F)

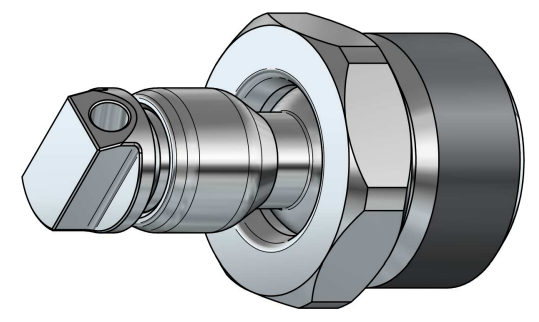
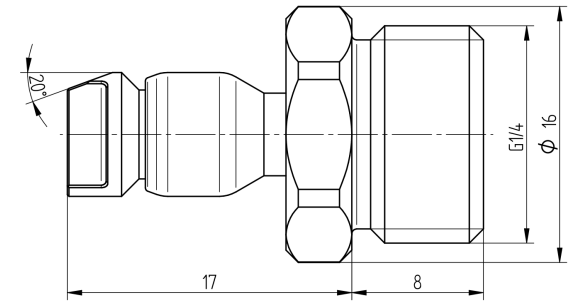
JB03-W15



S03 Block Jet 50° to 90° 1.5 mm

SmarTec Line: S03
External Diameter: 16 [mm] (0.63")
Effective Length: 16 [mm] (0.63")
Jet Diameter: 1.5 [mm] (0.06")
Max Horizontal Angle: 90°
Min Horizontal Angle: 50°
Tooling: SW 14
Thread: G1/4
Material: Austenitic Stainless Steel / NBR (Buna-N)
Temperature Range: -30°C to 120°C (-20°F to 250°F)

JB03-W20

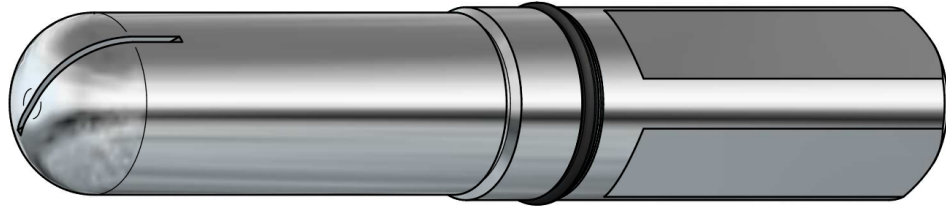
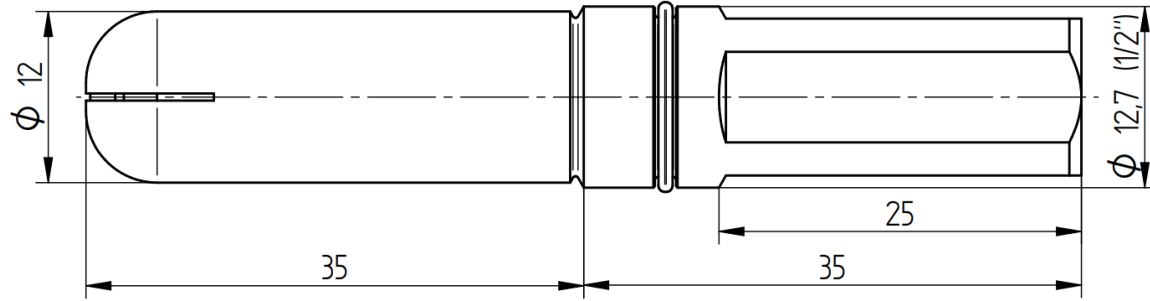


S03 Block Jet 50° to 90° 2 mm

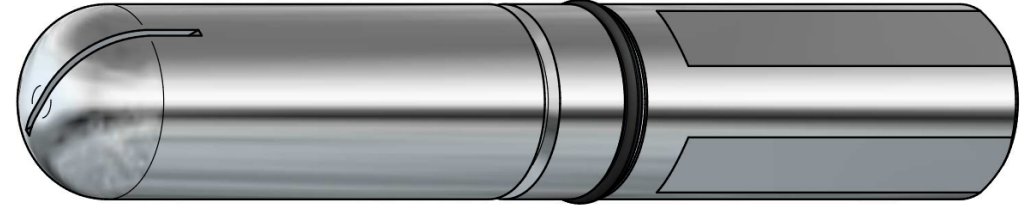
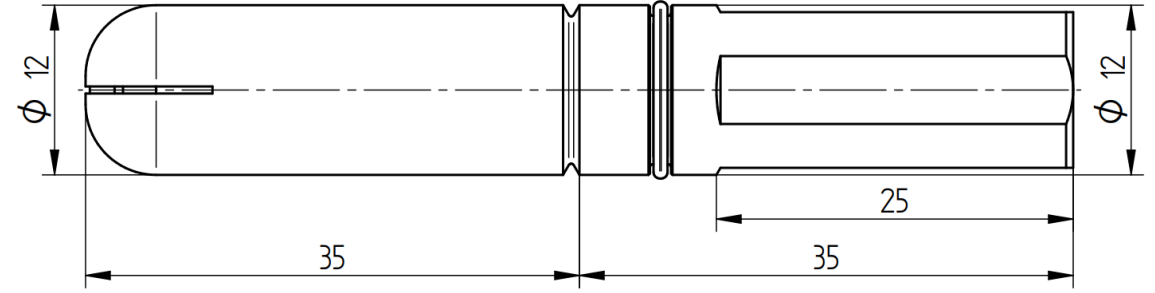
SmarTec Line: S03
External Diameter: 16 [mm] (0.63")
Effective Length: 16 [mm] (0.63")
Jet Diameter: 2 [mm] (0.08")
Max Horizontal Angle: 90°
Min Horizontal Angle: 50°
Tooling: SW 14
Thread: G1/4
Material: Austenitic Stainless Steel / NBR (Buna-N)
Temperature Range: -30°C to 120°C (-20°F to 250°F)

JR03

JR03-IN



JR03-ME



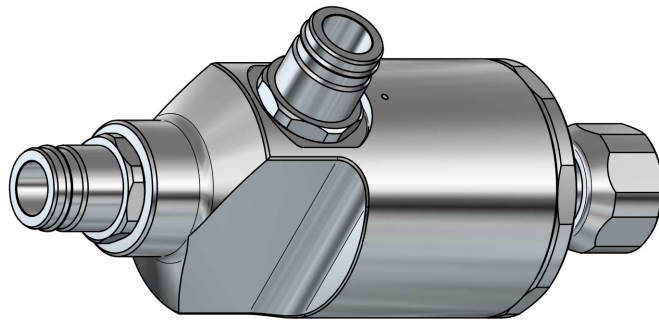
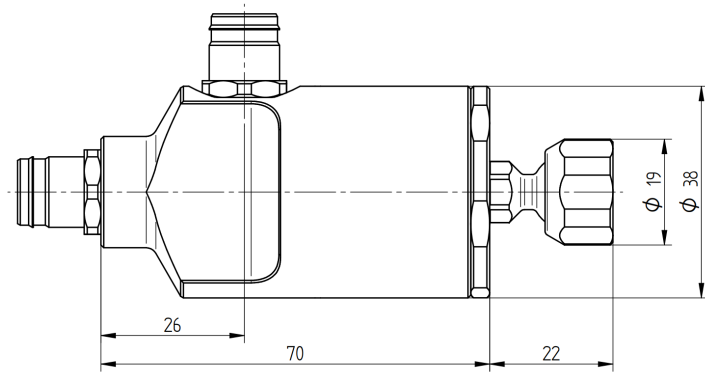
S03 Machine Cleaning Jet Imperial

SmarTec Line: S03
External Diameter: 12.7 [mm] (0.5")
Effective Length: 35 [mm] (1.38")
Internal Diameter: 3.5 [mm] (0.14")
Flats: 11 [mm] (0.43")
Flats Length: 25 [mm] (1")
Clamping Length: 35 [mm] (1.38")
Material: Austenitic Stainless Steel / NBR (Buna-N)
Temperature Range: -30°C to 120°C (-20°F to 250°F)

S03 Machine Cleaning Jet Metric

SmarTec Line: S03
External Diameter: 12 [mm] (0.47")
Effective Length: 35 [mm] (1.38")
Internal Diameter: 3.5 [mm] (0.14")
Flats: 11 [mm] (0.43")
Flats Length: 25 [mm] (1")
Clamping Length: 35 [mm] (1.38")
Material: Austenitic Stainless Steel / NBR (Buna-N)
Temperature Range: -30°C to 120°C (-20°F to 250°F)

VL03



S03 Mechanical Valve

SmarTec Line: S03

External Diameter: 38 [mm] (1.5")

Effective Length: 80 [mm] (3.15")

Internal Diameter: 3.5 [mm] (0.14")

Air Fittings connection: G1/4

Tooling: SW 18

Material: Austenitic Stainless Steel / NBR (Buna-N)

Temperature Range: -30°C to 120°C (-20°F to 250°F)

KIT 03

KIT 03 – CONT'

| KIT 03 | | | | | | KIT 03 – CONT' | | | | | |
|--------|-----------|---------|---------|---------|---------|----------------|-------------|---------|---------|---------|-------|
| No. | Element | KIT03 S | KIT03 M | KIT03 L | Notes | No. | Element | KIT03 S | KIT03 M | KIT03 L | Notes |
| 1 | AM03-G125 | 1 | 1 | 3 | | 26 | JB03-W15 | 1 | 1 | 2 | |
| 2 | AM03-G250 | 1 | 1 | 3 | | 27 | JB03-W20 | | 1 | 2 | |
| 3 | CH03-AS | 10 | 20 | 40 | | 28 | JH03-D10 | | 1 | 2 | |
| 4 | CH03-AM | 2 | 5 | 5 | | 29 | JH03-D15 | 1 | 1 | 2 | |
| 5 | CH03-AL | 2 | 5 | 5 | | 30 | JH03-D20 | | 1 | 2 | |
| 6 | CH03-FS | 2 | 2 | 4 | | 31 | JM03-A04 | | 1 | 2 | |
| 7 | CH03-FM | | 2 | 4 | | 32 | JM03-A08 | 1 | 1 | 2 | |
| 8 | CH03-FL | 2 | 2 | 4 | | 33 | JM03-A12 | | 1 | 2 | |
| 9 | CH03-PS | 2 | 2 | 4 | | 34 | JM03-P03 | | | 1 | |
| 10 | CH03-PM | | 2 | 4 | | 35 | JM03-P06 | 1 | 1 | 1 | |
| 11 | CH03-PL | 2 | 2 | 4 | | 36 | JM03-P09 | | | 1 | |
| 12 | CH03-TS | 2 | 2 | 4 | | 37 | JM03-P12 | | 1 | 1 | |
| 13 | CH03-TM | | 2 | 4 | | 38 | JF03-D10 | | 1 | 1 | |
| 14 | CH03-TL | 2 | 2 | 4 | | 39 | JF03-D15 | 1 | 1 | 1 | |
| 15 | CH03-YS | 2 | 2 | 4 | | 40 | JP03-D10 | | 1 | 1 | |
| 16 | CH03-YM | 2 | 2 | 4 | | 41 | JP03-D15 | 1 | 1 | 1 | |
| 17 | CH03-YL | 2 | 2 | 4 | | 42 | JP03-D20 | | 1 | 1 | |
| 18 | CH03-EF | | 2 | 4 | | 43 | JR03-IN | | | 1 | |
| 19 | CH03-ER | | 2 | 4 | | 44 | JR03-ME | | 1 | 1 | |
| 20 | JS03 | 1 | 2 | 2 | | 45 | VL03 | | 1 | 1 | |
| 21 | JB03-SML | | | 1 | 9 units | | | | | | |
| 22 | JB03-V10 | | 1 | 2 | | | | | | | |
| 23 | JB03-V15 | 1 | 1 | 2 | | | | | | | |
| 24 | JB03-V20 | | 1 | 2 | | | | | | | |
| 25 | JB03-W10 | | 1 | 2 | | | Total Units | 42 | 83 | 159 | |